

PURA 9000 Series ACCESS PANELS



For all bespoke requirements, our technical team will assist you to determine the correct specification and dimensions for your project.

+44(0) 1827 719 051

technical@profabaccess.com

A performance access panel with optional anti-bacterial paint finish for clean rooms, hospitals and food preparation areas.

Profab Access' PURA 9000 Series range of access panels are ideal for installation into sealed plasterboard or sandwich panel (demountable) within wall and ceiling linings that are constructed to achieve minimum air leakage but where access to mechanical and electrical services is still required.

» BENEFITS

- Optional anti-bacterial paint finish
- For clean rooms, hospitals and food preparation areas
- Simple and secure means of accessing building services
- Clean, discreet design with flush metal door for an aesthetic finish
- Acoustic shielding up to 30 dB as standard with option to upgrade to 36 dB
- Fitted with a full rubber gasket seal
- Rear door plate to seal door into the frame
- Suitable for vertical (wall) or horizontal (ceiling) access
- Single door (SD) or double door (DD) configuration
- Fully recyclable at end of life



SAFE ACCESS ALL AREAS

» DOOR CONFIGURATIONS

Construction

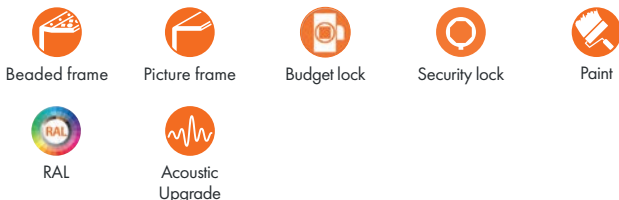
- Manufactured to order
- 1.2 mm frame and 0.9 mm flush door tray in electro-galvanised mild steel
- Factory welded, metal frame to specified sizes
- Frame fitted with a full rubber gasket seal
- Door tray fitted with concealed, fully adjustable hinges
- Constant gap maintained between the door and frame by the 'dome location' system
- Fitted with chrome security lock (SL) as standard
- Door opens towards the user
- Removeable door during installation or if damage occurs
- Single door (SD) or double door (DD) configuration
- Fully powder coated matt RAL 9010, suitable for finishing on site
- CNC manufactured in the UK to ISO 9001:2015

Performance

- 30 dB acoustic shielded as standard BS EN ISO 140-3:1995, BS 2750: Part 3: 1995
- All panels are for internal use and only in areas of normal humidity

Options

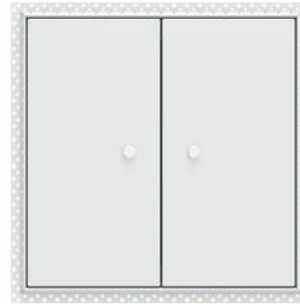
- Concealed beaded frame (BF) for plaster finishing or visible 25mm picture frame (PF) for retro-fitting to suit finishing requirements
- Anti-bacterial paint finish as an optional extra
- Picture frame (PF) type is available with a modified frame for installation into 60mm sandwich panel demountable structure
- Security lock (SL) or budget lock (BL) options
- Other RAL paint colours and finishes are available
- Multiple door (CA) designs are also available, contact Profab Access' technical team for details



SD: SINGLE DOOR
BF: BEADED FRAME
SL: SECURITY LOCK



SD: SINGLE DOOR
PF: PICTURE FRAME
SL: SECURITY LOCK



DD: DOUBLE DOOR
BF: BEADED FRAME
BL: BUDGET LOCK



DD: DOUBLE DOOR
PF: PICTURE FRAME
BL: BUDGET LOCK

» MANUFACTURED TO ORDER

Our PURA 9000 Series access panels can be manufactured in sizes from 200 x 200 mm minimum up to 600 x 1200 mm maximum in a single door (SD) configuration.

All of our access panels are designed and manufactured to order in our UK factory, to meet your individual project requirements.

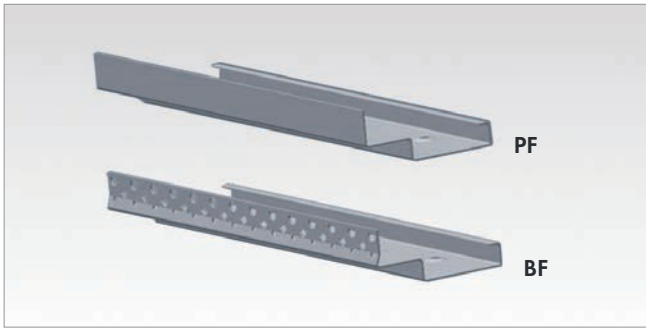
» TYPICAL SIZES AND WEIGHTS

Dimension X (mm)	Dimension Y (mm)	Weight (Kgs)
300	300	3.0
450	450	6.0
600	600	11.0
600	1200	22.0

Size Specification

- All dimensions are in mm
- All panels shown are single door
- All access panels hinge along dimension Y
- X and Y dimensions are outside rear frame
- Overall frame depth is 86 mm
- Structural opening required for installation is (X+5) x (Y+5)

» FRAME PROFILES



Choice of frame profiles to suit application:

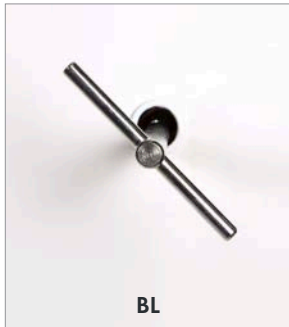
PF: PICTURE FRAME

A visible, flush faced frame ideal for ceilings where the panel is being installed for retro fitting and within finished areas

BF: BEADED FRAME

A simulated dry wall edge bead profile ideal for ceilings where the panel is being installed prior to any tape and jointing or skim-coat plastering.

» MULTI-POINT LOCKING OPTIONS



BL: BUDGET LOCK

Operated with an 8 mm T-bar key to unlatch and pull the door leaf open. Locking assembly engages horizontally in one direction.

SL: SECURITY LOCK

A single point locking mechanism with a quarter-turn camlock operated by a castellated key.

» INSTALLATION

Apertures formed in dry lined walls and ceilings should be suitably formed and adequately supported to take the additional weight and operating forces exerted during operation. Typical fixing details are shown in this datasheet.

» OPERATION

Operated from the front face, the security lock (SL) has an integral, visible chrome escutcheon to accept the key. Additional keys are available from profab Access.



For more information about our full range of non-fire rated and third party CERTIFIRE fire rated access panels and riser doors visit:

www.profabaccess.com

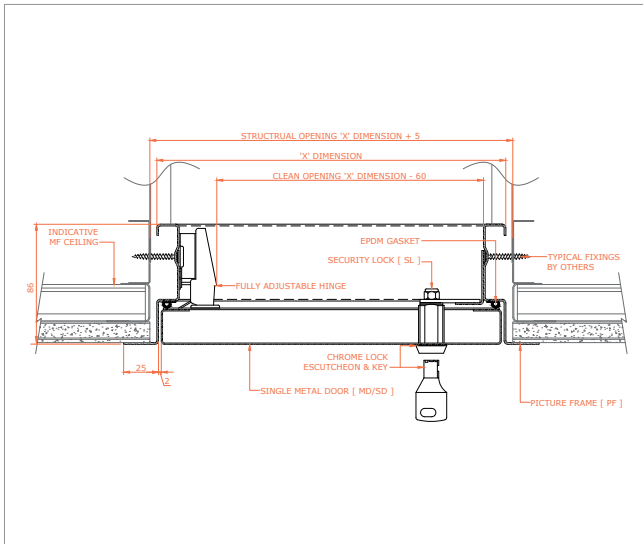
Our in-house manufacturing enables us to offer full flexibility in product design for projects that need to meet specific design criteria



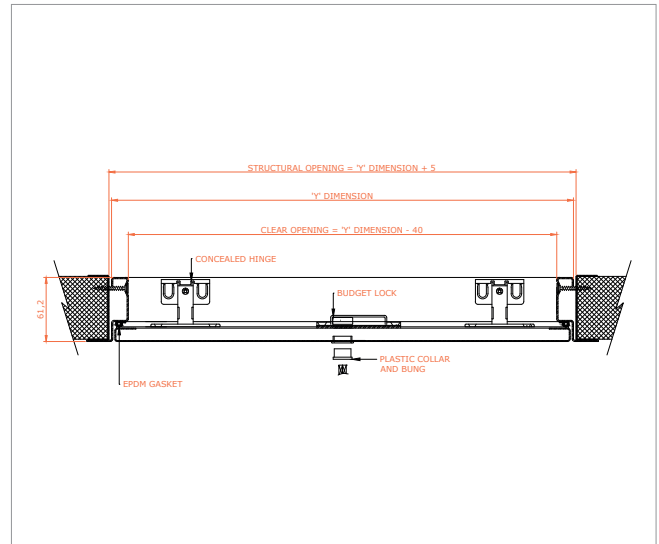
The Profab Access PURA 9000 Series range of access panels is available to download now as BIM objects for use in your current and future projects



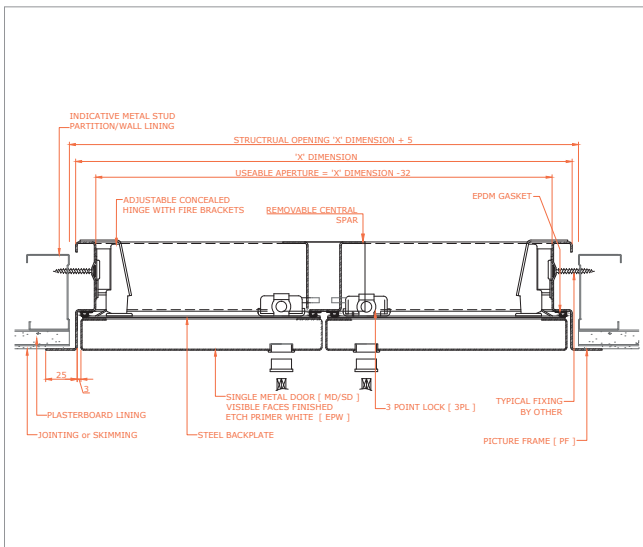
CAD DRAWINGS



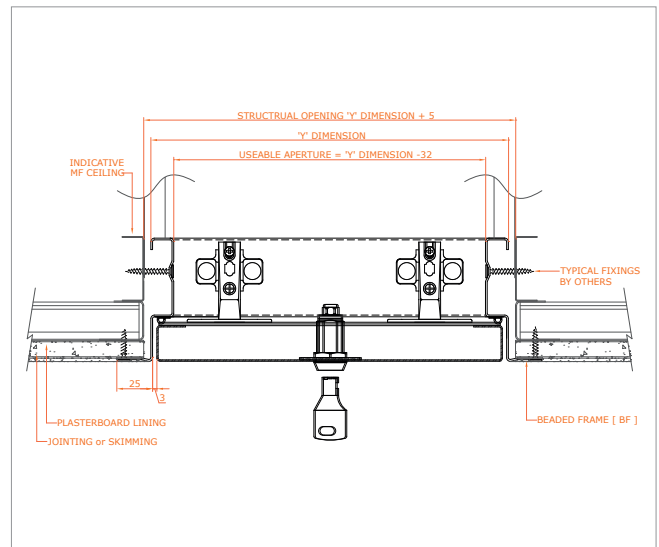
Non-fire rated, picture frame, metal door, security lock, single door
9000-NFR-PF-MD-SL-SD



Non-fire rated, picture frame, metal door, budget lock, single door,
60mm sandwich panel 9000-NFR-PF-MD-BL-SD-60



Non-fire rated, picture frame, metal door, budget lock, double door
9000-NFR-PF-MD-BL-DD



Non-fire rated, beaded frame, metal door, security lock, double door
9000-NFR-BF-MD-SL-DD

CAD files for all product variants are available – please contact: technical@profabaccess.com

All of our digital resources can be downloaded from: www.profabaccess.com

Profab Access reserve the right to amend any of our published information and specifications deemed necessary as part of our continuous product development and improvement policy, without prior notice.

CONTACT US

Sales Enquiries

+44(0) 1827 718 222

sales@profabaccess.com

www.profabaccess.com

Technical Enquiries

+44(0) 1827 719 051

technical@profabaccess.com



Riversdale House
Units C-D Riversdale Road
Carlyon Road Industrial Estate
Atherstone
Warwickshire CV9 1FA
United Kingdom

: [profab-access-ltd](https://www.linkedin.com/company/profab-access-ltd)

: [@accesspanels](https://twitter.com/accesspanels)

: [profabaccesspanels](https://www.facebook.com/profabaccesspanels)

: [profabaccess.com](http://www.profabaccess.com)



FS668263

EMS668264

