



# VEGA 1500 FR Series RISER DOORS

with **PRECISION** ADJUSTABLE FRAME

**PATENT GRANTED**  
GB 2393021



For all bespoke requirements, our technical team will assist you to determine the correct specification and dimensions for your project.

**+44(0) 1827 719 051**  
[technical@profabaccess.com](mailto:technical@profabaccess.com)

Quick release, light weight, engineered riser doors supplied with adjustable frames that require no packers and no mastic application for simple, faster and safer installations

Profab Access' VEGA 1500 FR Series range of riser doors, supplied with our PRECISION adjustable frame is designed, manufactured and rigorously tested to meet fire standards suitable for a wide range of market applications.

Single or double door configurations pre-fitted with locks and hinges, offered with frame options to suit finishing requirements.

## » BENEFITS

- Supplied with our PRECISION adjustable frame (patent granted)
- During installation the frame extends to the dimensions of each structural opening



- **No packers are required for the frame installation**
- **No intumescent mastic application is required**

- Factory applied intumescent strips to the outer frame
- Fire rated up to 60 minutes and bi-directionally tested for fire integrity from both sides
- For use in standard flexible wall constructions and shaft walls
- For certainty of installation and legal compliance
- Quick release pivot hinge with retractable flush bolt
- Light weight door for easy handling
- Seamless aesthetic finish
- Fully recyclable at end of life

**SAFE ACCESS ALL AREAS**

## » DOOR CONFIGURATIONS

### Construction

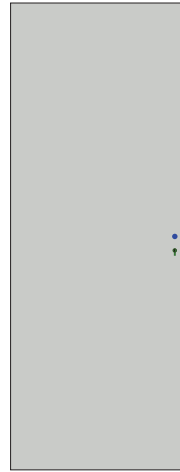
- Manufactured to order
- 1.2mm door and frame in electro-galvanised mild steel
- Fully welded 4 sided frame
- Light weight door: 24 kg/m<sup>2</sup> with frame:  
2.5 kg/linear meter
- Rockwool core door leaf
- All-in-one acoustic, intumescent and smoke seal
- Quick release pivot hinge with retractable flush bolt for fast and simple installation
- Supplied with PRECISION adjustable frame for a simpler, faster installation with no packers or mastic application required
- During installation the frame extends to the dimensions of each structural opening
- Factory applied intumescent strips to the outer frame
- CNC manufactured in the UK to ISO 9001: 2015 and 14001: 2015

### Performance

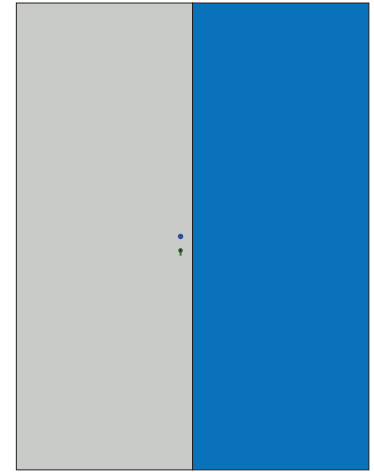
- Fire tested to BS EN 1634-1:2014 + A1:2018
- Tested and approved for use in standard flexible wall constructions and shaft walls
- Fire rated up to 60 minutes
- Bi-directionally fire tested for fire integrity from both sides
- Smoke seal tested to BS476 part 31.1
- Acoustic rating 35 dB

### Options

- 3 point lock (3PL) as standard or Euro profile cylinder high security lock option (3HS)
- Beaded frame (BF) or picture frame (PF) options to suit finishing requirements
- Single door (SD) or double door (DD) configurations
- Visible or concealed escutcheon with suction cap
- Left or right hand opening
- Other RAL paint colours available on request
- Fully powder coated matt RAL 9010, suitable for finishing on site or other RAL colours available on request



**SD: SINGLE DOOR**



**DD: DOUBLE DOOR**

Latched, single-acting, single or double leaf

## » MINIMUM/MAXIMUM SIZES

- Maximum door leaf height 2750 mm at 938 mm wide
- Maximum door leaf width 1035 mm at 2493 mm high



Picture frame



Beaded frame



3 point lock



High security  
3 point lock



Paint



Fire Rated  
60 minutes



Bi-directionally  
fire tested



Easy alignment of the PRECISION adjustable frame eliminates the need for packers during installation



Factory applied intumescent strips eliminate the application of intumescent mastic after installing the frame



Hinge pin for easy positioning and door alignment

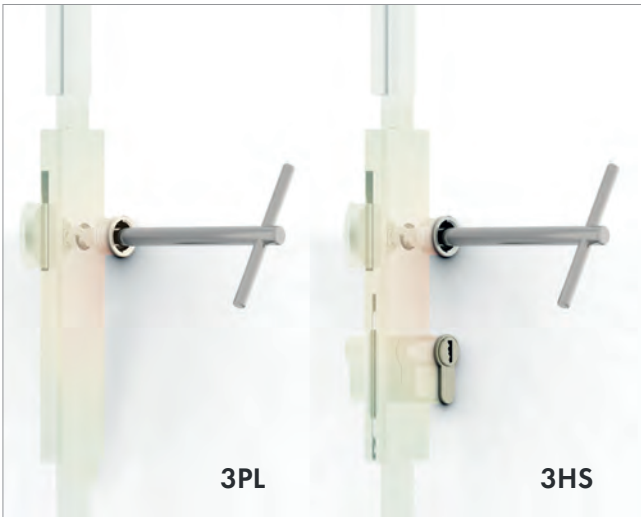


Quick release door mechanism operated by pull lever



Easy removal of the door from the frame

## » MULTI-POINT LOCKING OPTIONS



### 3PL: THREE POINT LOCKING

- i. T bar key: used to unlatch and pull door leaf open
- ii. Locking assembly: engages top, bottom and lock sides
- iii. White plastic collar and plug as standard (stainless steel collar optional)

### 3HS: THREE POINT HIGH SECURITY LOCKING

- i. T bar key: used to unlatch and pull door leaf open
- ii. Secondary locking
- iii. Euro profile cylinder lock
- iv. Locking assembly: engages top, bottom and lock sides
- v. White plastic collar and plug as standard (stainless steel collar optional)

## » FRAME PROFILES



Choice of frame profiles to suit application

### PF: PICTURE FRAME

Ideal for retro fitting/finished areas

### BF: BEADED FRAME

Ideal for tape and jointing/skimming



Profab Access riser doors are bi-directionally fire tested from both sides to ensure legal compliance

For more information about our full range of fire rated riser doors visit:  
[www.profabaccess.com](http://www.profabaccess.com)

The Profab Access VEGA 1500 FR Series range of riser doors supplied with Profab Access's patented PRECISION adjustable frame is bi-directionally fire tested to ensure fire integrity from both sides and are third party certified



Ask us for our latest test reports and certification to ensure legal compliance

The Profab Access VEGA 1500 FR Series range of riser doors supplied with our patented PRECISION adjustable frame is available to download now as BIM objects for use in your current and future projects



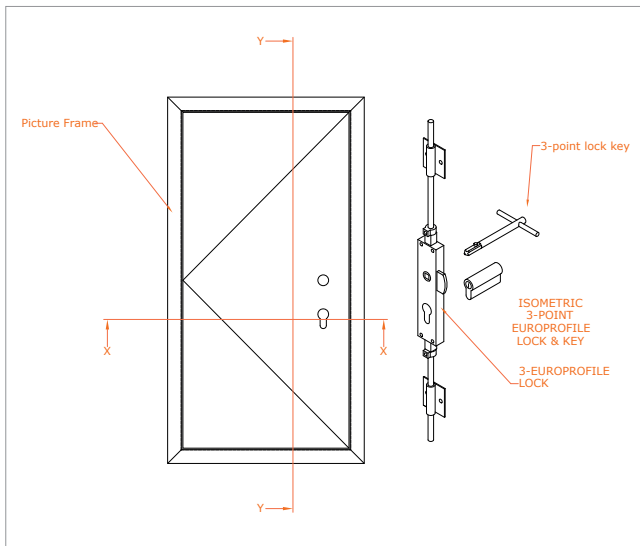
NBS Source



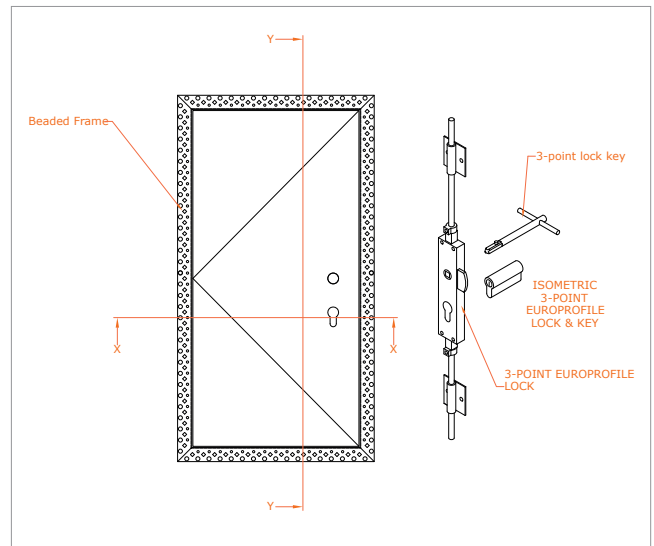
NBS Chorus



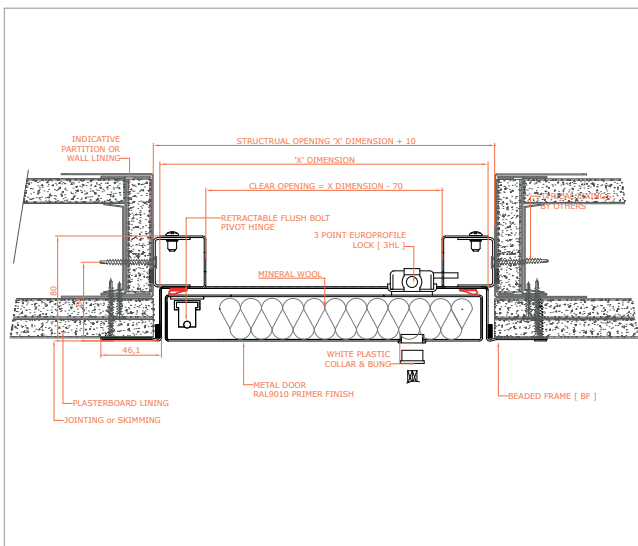
## » CAD DRAWINGS



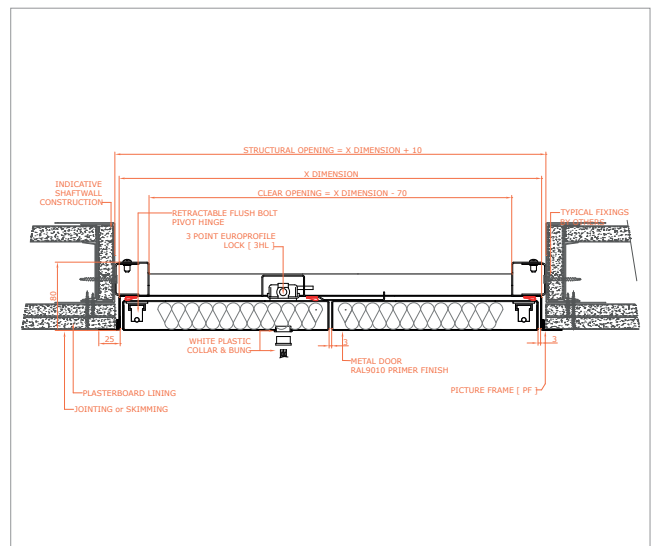
Up to 60 minutes fire rated, picture frame, 3 point high security locking, single door



Up to 60 minutes fire rated, beaded frame, 3 point high security locking, single door



60 minutes fire rated, PRECISION adjustable beaded frame, metal door, 3 point lock, single door 1500-1FR-ABF-MD-3HL-SD



60 minutes fire rated, PRECISION adjustable picture frame, metal door, 3 point lock, double door 1500-1FR-APF-MD-3HL-DD

CAD files for all product variants are available – please contact: [technical@profabaccess.com](mailto:technical@profabaccess.com)

All of our digital resources can be downloaded from: [www.profabaccess.com](http://www.profabaccess.com)

Profab Access reserve the right to amend any of our published information and specifications deemed necessary as part of our continuous product development and improvement policy, without prior notice.

## » CONTACT US

**Sales Enquiries**  
+44(0) 1827 718 222  
[sales@profabaccess.com](mailto:sales@profabaccess.com)

[www.profabaccess.com](http://www.profabaccess.com)

**Technical Enquiries**  
+44(0) 1827 719 051  
[technical@profabaccess.com](mailto:technical@profabaccess.com)



Riversdale House  
Units C-D Riversdale Road  
Carlyon Road Industrial Estate  
Atherstone  
Warwickshire CV9 1FA  
United Kingdom

