

**Installation Manual for Metal Emperor Lockers**



<b>Table of Contents</b>	<b>Page</b>
General Notes and Tools Required_____	2-3
Assemble Shelves with Coat Hooks/Coat Rods_____	4
Fastening Chart_____	5
Knock Down Locker Assembly (Banks of Three)_____	6-12
Appendix A: Dress End Panel_____	12
Appendix B: Starter Trim & Expansion Angle_____	13
Appendix C: “U” Filler Panel_____	14
Appendix D: Flat Top Corner_____	14
Appendix E: Box Bases_____	15-16
Appendix F: Z Bases_____	17
Appendix G: Slope Tops_____	18-20
Appendix H: Plenum Panels_____	20
Appendix I: Recess Trim _____	21
Appendix J: Locker Bench_____	21
Appendix K: 6 Tier Lockers (Frame Stiffener)_____	22
Appendix L: Built In Master Locks_____	22

## **Tools Required**

- Rivet gun
- Screwdriver - Robertson or Phillips (if using nuts and screws).
- 1/4” (6mm) & 7/32” (5mm) drill bit - only required if installing optional items.
- Scratch awl (to insert into holes to align panels properly).
- 11/32” nut driver (to attach hooks if using nuts and screws)

## Installation Manual for Metal Emperor Lockers

### General Notes

These instructions are for the assembly of Hadrian lockers only. For instructions on positioning the lockers and securing them in place, refer to the site blueprints.

Basic procedure for assembling Hadrian lockers:

1. Assemble the chassis. Connect the sides, backs and shelves for a bank of lockers.
2. Attach the door and frame assemblies to the chassis.
3. If using optional box bases, assemble the bases for the locker bank and attach to the lockers. If using optional Z-base, anchor it to floor in appropriate position.
4. Place the lockers in their correct position and level.
5. Secure lockers to the wall blocking with fasteners.
6. Add the optional slope top or trim if required.

Assembly instructions for Gladiator athletic lockers differ only in the fact that coat hooks are installed through pre-punched holes in the locker backs and sides (As opposed to under the shelves in Emperor Corridor lockers).

Lockers should not be stored outside and should always be kept dry.

It is the distributor's responsibility to supply end-users with maintenance and warranty information.

### Fasteners Provided

#### Rivets

or

#### Nuts & Bolts

Emperor Locker Rivet  
Part# 790025



8-32 Flat Locker Screw  
Part# 780015



Gladiator Locker Rivet  
Part# 790026

8-32 Hex Locker Nut  
Part# 780020

### Recommended Safety Equipment

Safety Glasses



Safety Gloves



Safety Shoes



Hard Hat



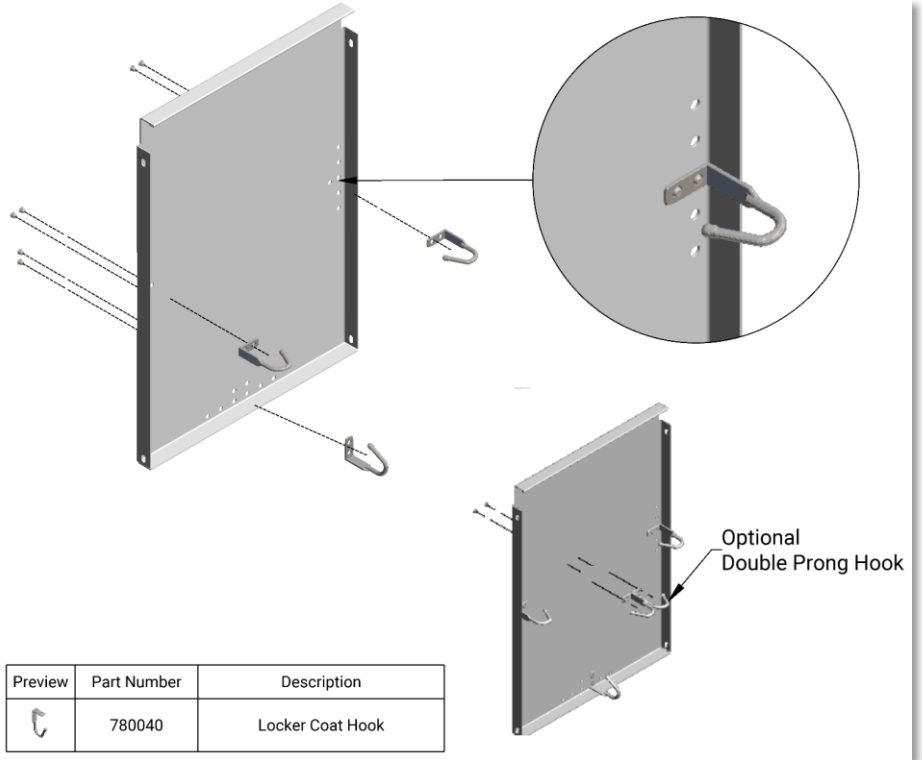
## Installation Manual for Metal Emperor Lockers

### Assemble Shelves with Coat Hooks

Attach coat hooks as shown with rivets or bolts.

Note: Coat hooks are provided with single tier and double tier lockers only.

Optional double prong coat hooks are available. Shelf requires two holes in the center middle of the shelf. Pre-prepared holes is by request only.

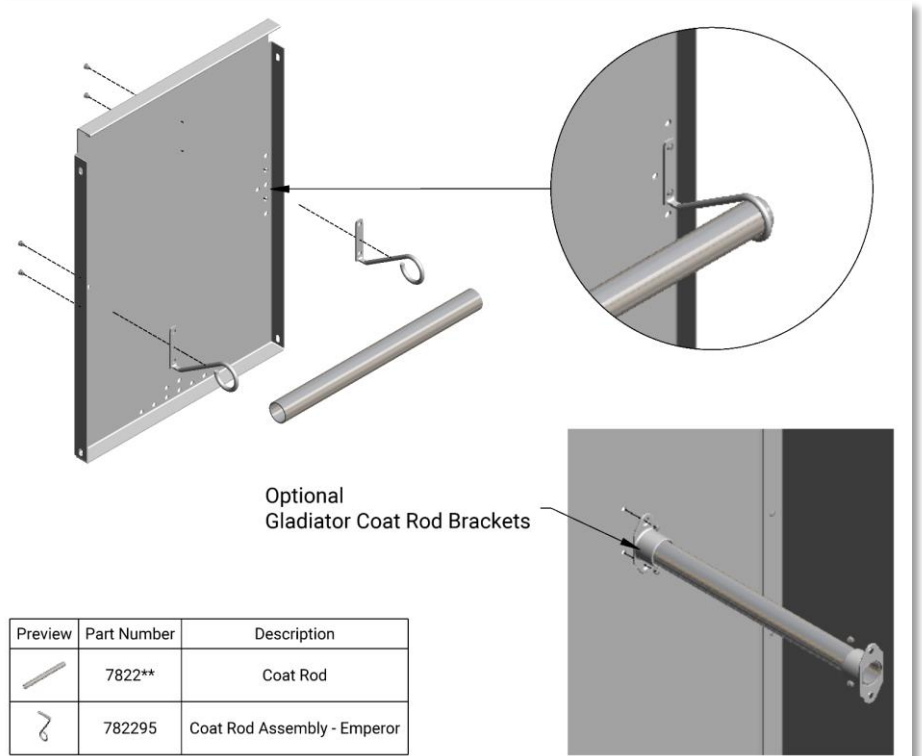


### Assemble Shelves with Optional Coat Rods

Attach coat rods as shown with rivets or bolts.

Note: Coat rods can be provided with single tier and double tier lockers only.

Optional Gladiator coat rod brackets are available. Side panels requires two holes for mounting coat rod brackets. Pre-prepared holes is by request only.

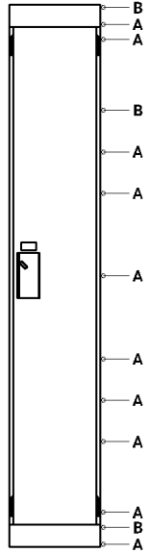
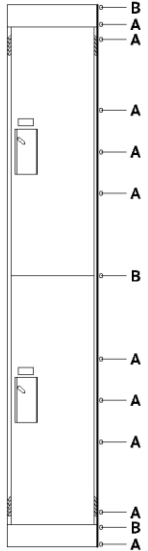
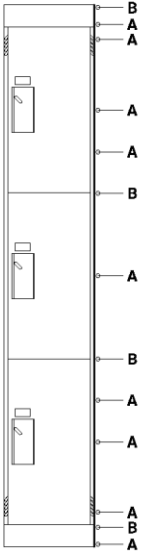
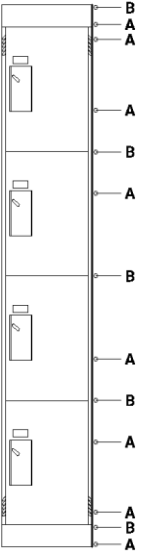
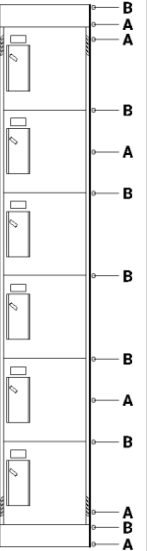


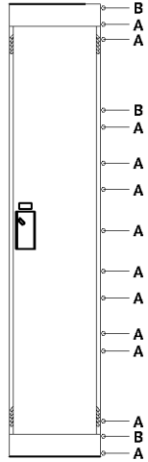
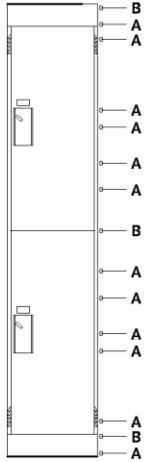
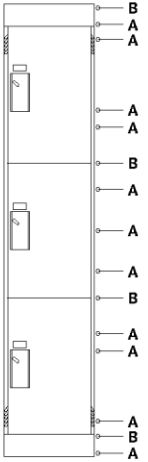
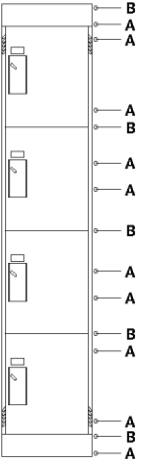
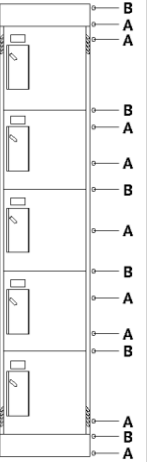
Installation Manual for Metal Emperor Lockers

# Fastener Chart

Use this chart to determine where to add fasteners while attaching side panel to the back panel.

**A** - indicates to add a fastener    **B** - indicates to leave hole open for attaching shelf    **C** - indicates to leave hole open for attaching banks

72" (1829mm) High Lockers	Single Tier	Double Tier	Three Tier	Four Tier	Six Tier
	Intermediate Bank End	Intermediate Bank End	Intermediate Bank End	Intermediate Bank End	Intermediate Bank End
					

60" (1524mm) High Lockers	Single Tier	Double Tier	Three Tier	Four Tier	Five Tier
	Intermediate Bank End	Intermediate Bank End	Intermediate Bank End	Intermediate Bank End	Intermediate Bank End
					

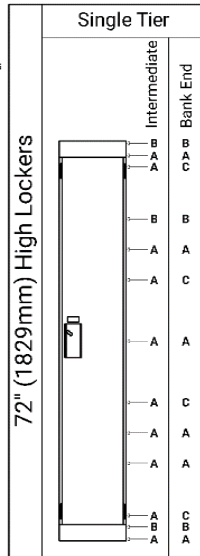
# Installation Manual for Metal Emperor Lockers

## STEP 1: Assemble Backs and Sides

With back flat side down, attach side panel. The single row of holes indicates the rear of the side panel.

See fastening chart on page 5

- A - indicates to add a fastener
- B - indicates to leave hole open for attaching shelf
- C - indicates to leave hole open for attaching banks

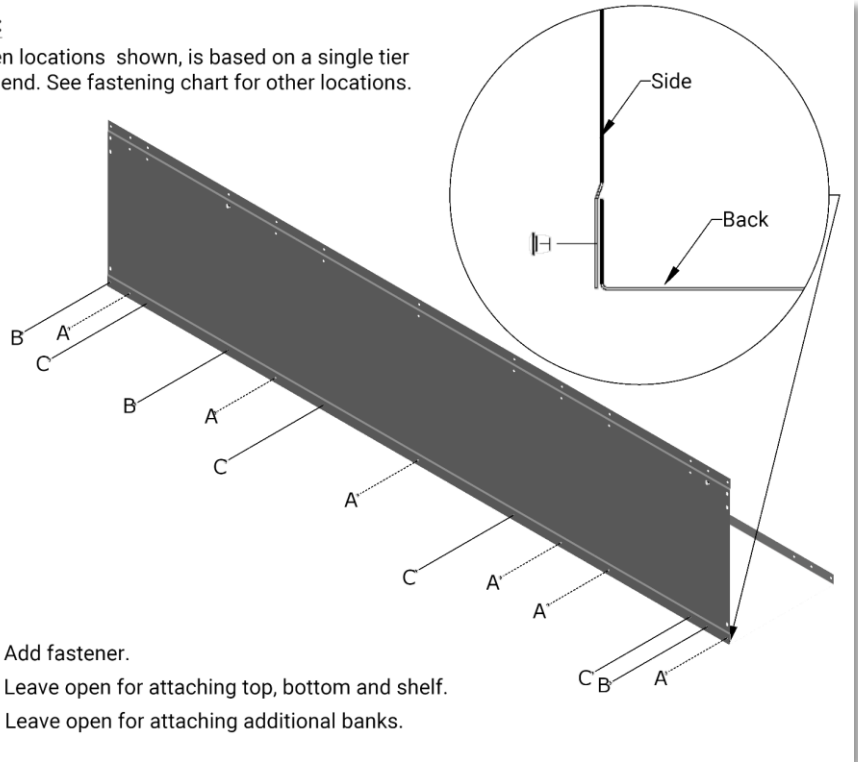


Fastening Chart  
For 72" high single tier.



### Note:

Fasten locations shown, is based on a single tier bank end. See fastening chart for other locations.

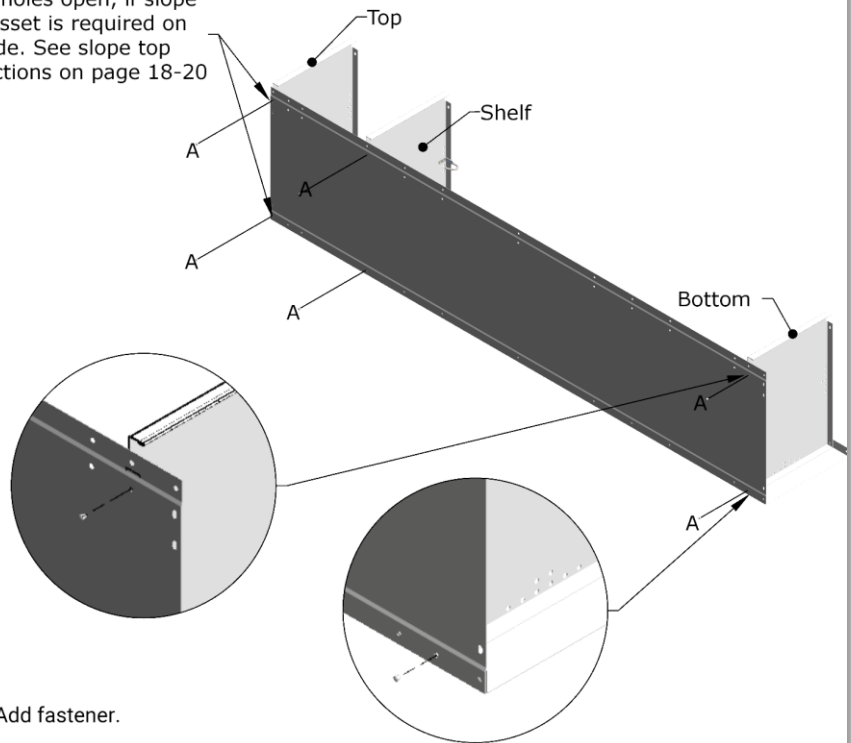


## STEP 2: Position Top, Bottom, and Shelf.

Ensure shelves are oriented as shown (i.e.: "hemmed" edge towards the front of the locker).

Note: shelves, tops and bottoms are interchangeable

Leave holes open, if slope top gusset is required on this side. See slope top instructions on page 18-20



## Installation Manual for Metal Emperor Lockers

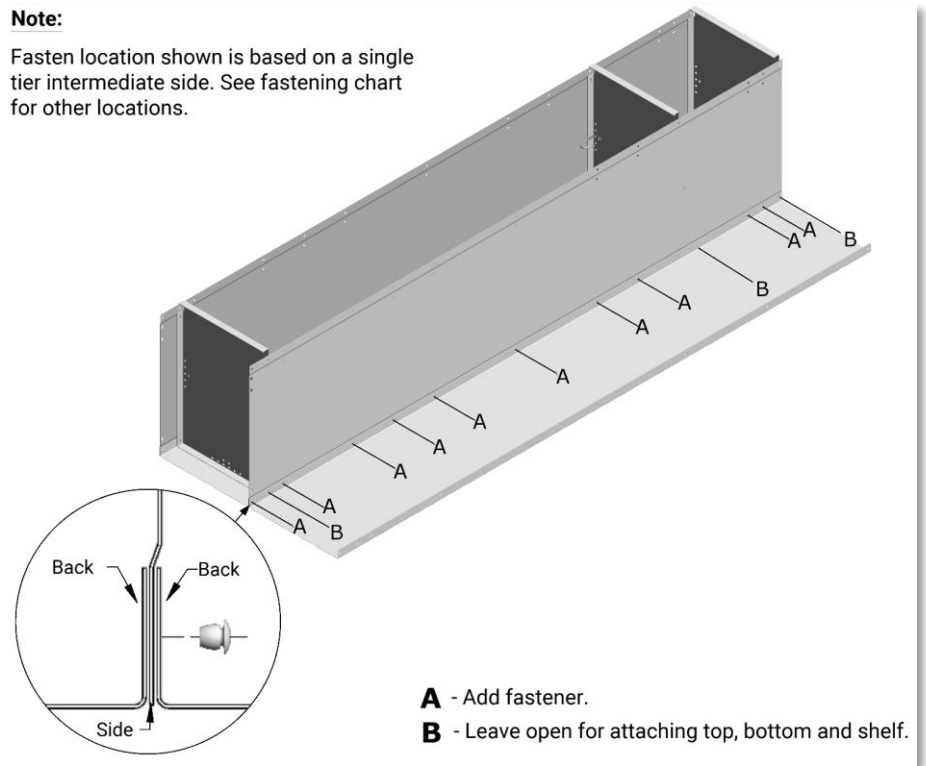
### STEP 3: Position Top, Bottom, and Shelf.

With back flat side down, attach side panel. The single row of holes indicates the rear of the side panel.

See fastening chart on page 5

#### Note:

Fasten location shown is based on a single tier intermediate side. See fastening chart for other locations.

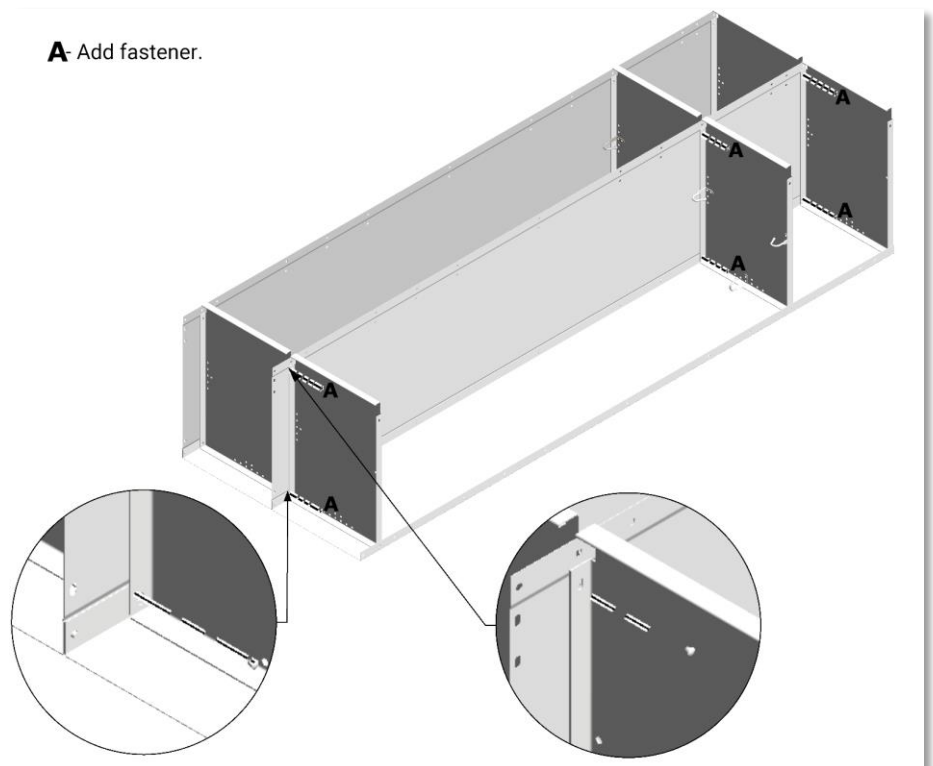


### STEP 4: Position Top, Bottom, and Shelf.

Ensure shelves are oriented as shown (i.e.: "hemmed" edge towards the front of the locker).

Note: shelves, tops and bottoms are interchangeable

**A** - Add fastener.

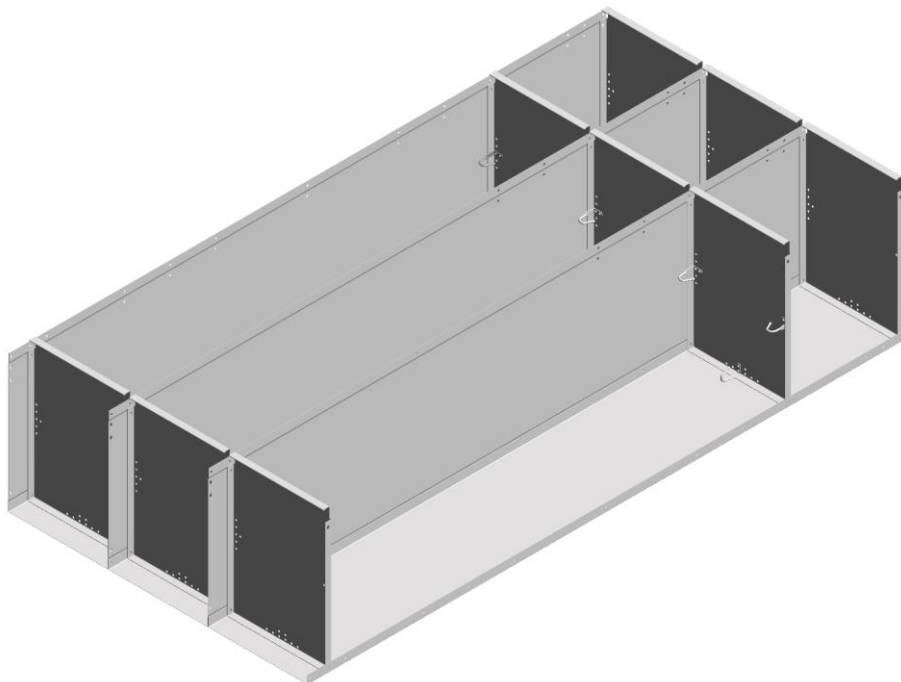


## Installation Manual for Metal Emperor Lockers

### Repeat Steps 3 & 4 as Needed

With back flat side down, attach side panel. The single row of holes indicates the rear of the side panel.

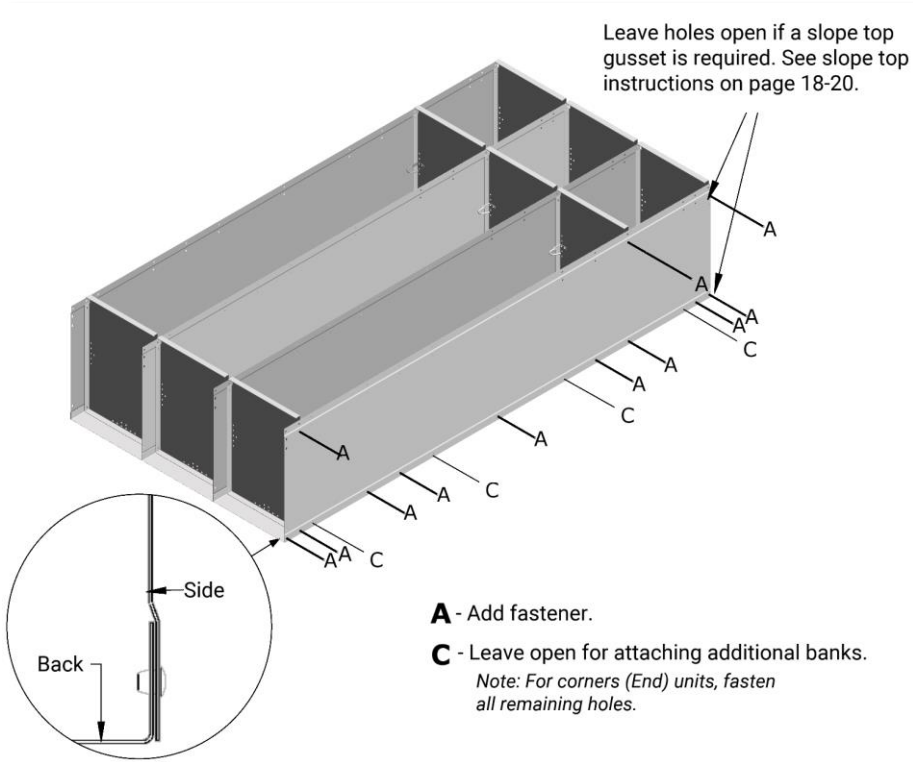
See fastening chart on page 5



### STEP 5: Fasten End Side

With back flat side down, attach side panel. The single row of holes indicates the rear of the side panel.

See fastening chart on page 5





## Installation Manual for Metal Emperor Lockers

### STEP 6: Attach Frame Assemblies

Place one end of frame assembly over the chassis and rotate flat, ensuring proper fit with side panels.

Ensure fronts of all frame assemblies are flush.

Note: For corner (End) units, fasten all remaining holes.

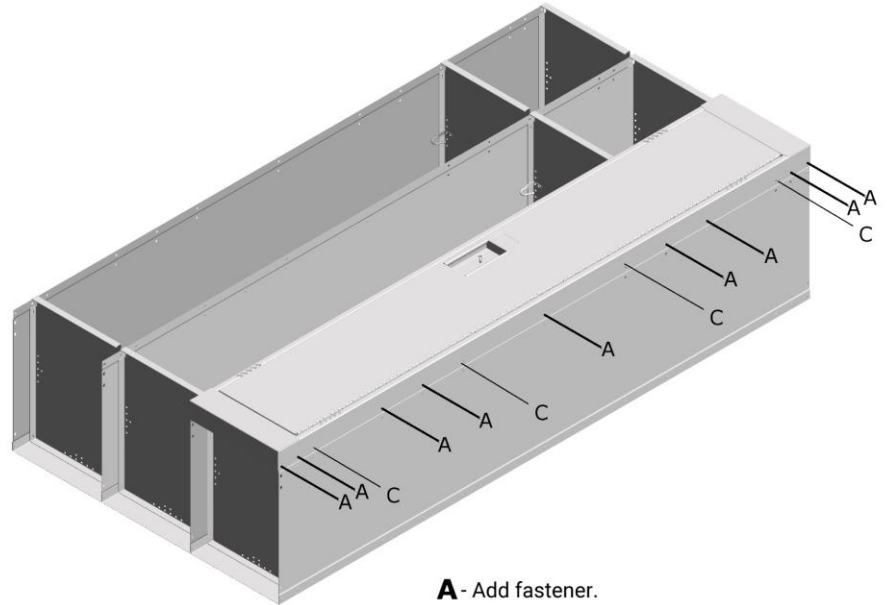
*If the optional dress end panel is to be used, attach locking strip now. See page 12*

*If optional expansion trim is to be used, attached expansion trim now. See page 13*

*If optional "U" filler is to be used, attached "U" filler now. See page 14*

*If optional recess trim is to be used, attach side trim now. See page 14*

*Six tier lockers require a frame stiffener. See page 22*



**A** - Add fastener.

**C** - Leave open for attaching additional banks.

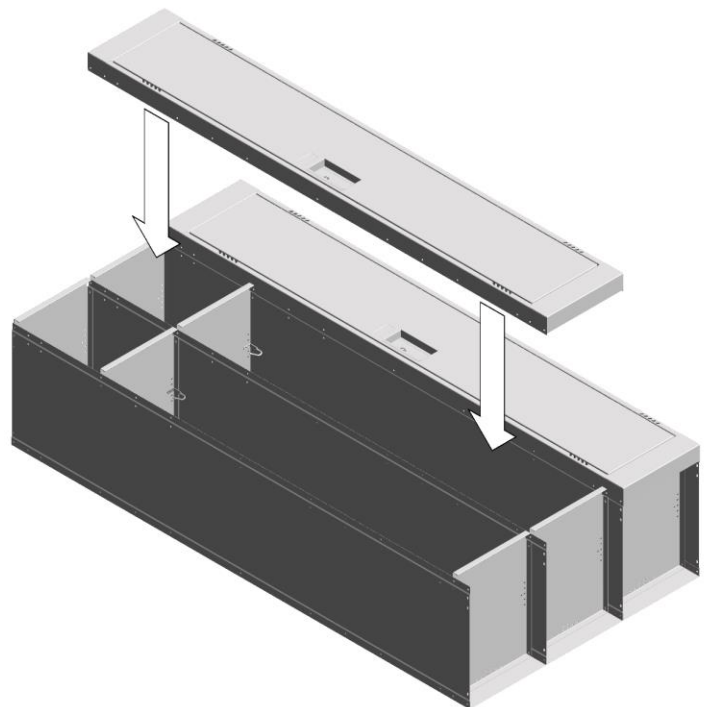
*Note: For corner (End) units, fasten all remaining holes.*

### STEP 7: Attach Frame Assemblies

Place one end of frame assembly over the chassis and rotate flat, ensuring proper fit with side panels.

Ensure fronts of all frame assemblies are flush.

*Six tier lockers require a frame stiffener. See page 22*



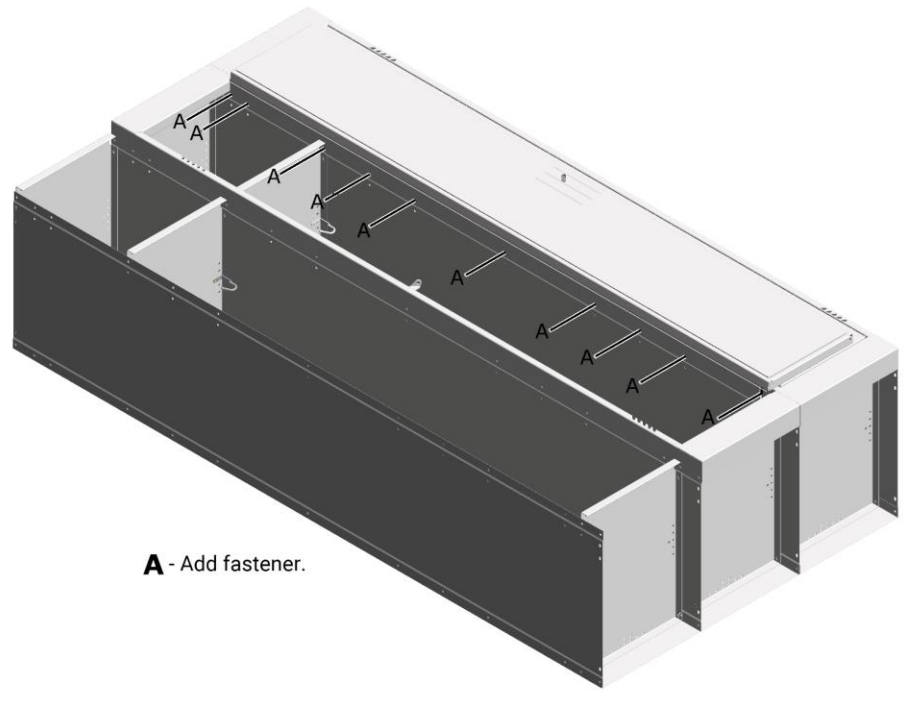
## Installation Manual for Metal Emperor Lockers

### STEP 8: Attach Frame Assemblies

Place one end of frame assembly over the chassis and rotate flat, ensuring proper fit with side panels.

Ensure fronts of all frame assemblies are flush.

*Six tier lockers require a frame stiffener.  
See page 22*



**A** - Add fastener.

### STEP 9: Attach Frame Assemblies

Repeat Steps 7 & 8 as needed.

Place one end of frame assembly over the chassis and rotate flat, ensuring proper fit with side panels.

Ensure fronts of all frame assemblies are flush.

Note: For corner (End) units, fasten all remaining holes.

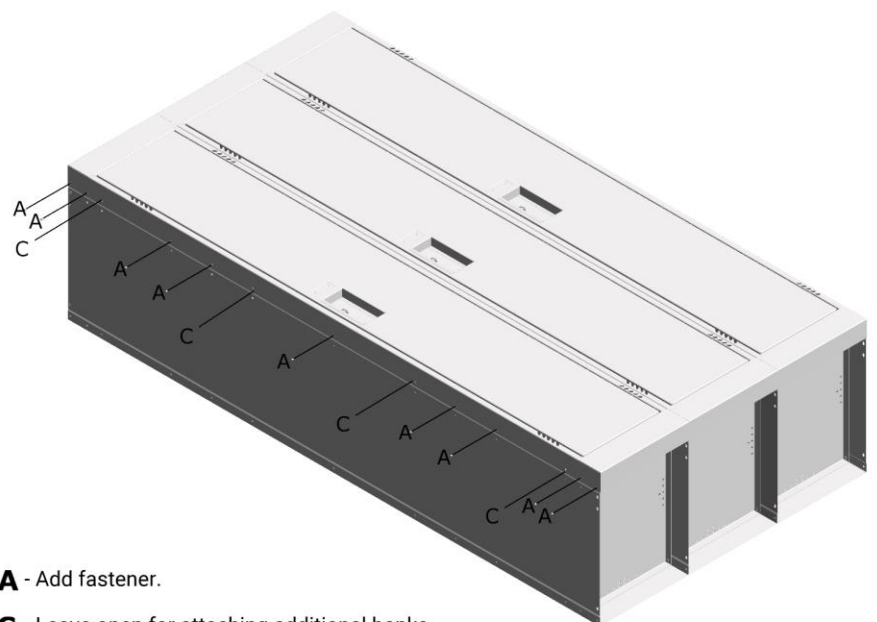
*If the optional dress end panel is to be used, attach locking strip now. See page 12*

*If optional expansion trim is to be used, attached expansion trim now. See page 13*

*If optional "U" filler is to be used, attached "U" filler now. See page 14*

*If optional recess trim is to be used, attach side trim now. See page 21*

*Six tier lockers require a frame stiffener.  
See page 22*



**A** - Add fastener.

**C** - Leave open for attaching additional banks.

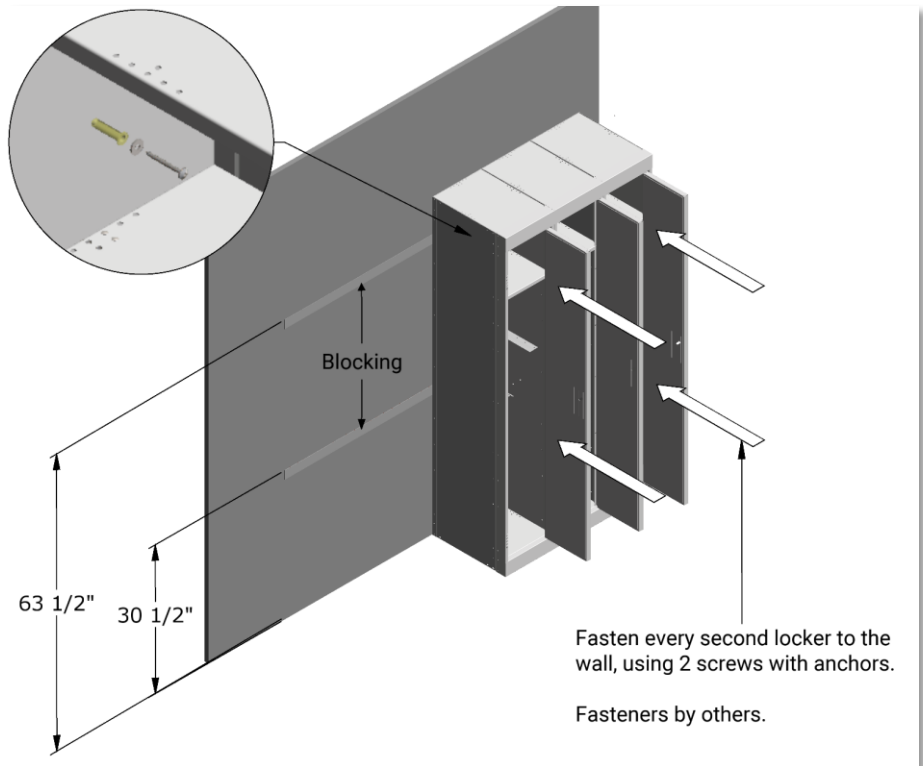
*Note: For corner (End) units,  
fasten all remaining holes.*

## Installation Manual for Metal Emperor Lockers

### STEP 10: Fasten Lockers to Wall

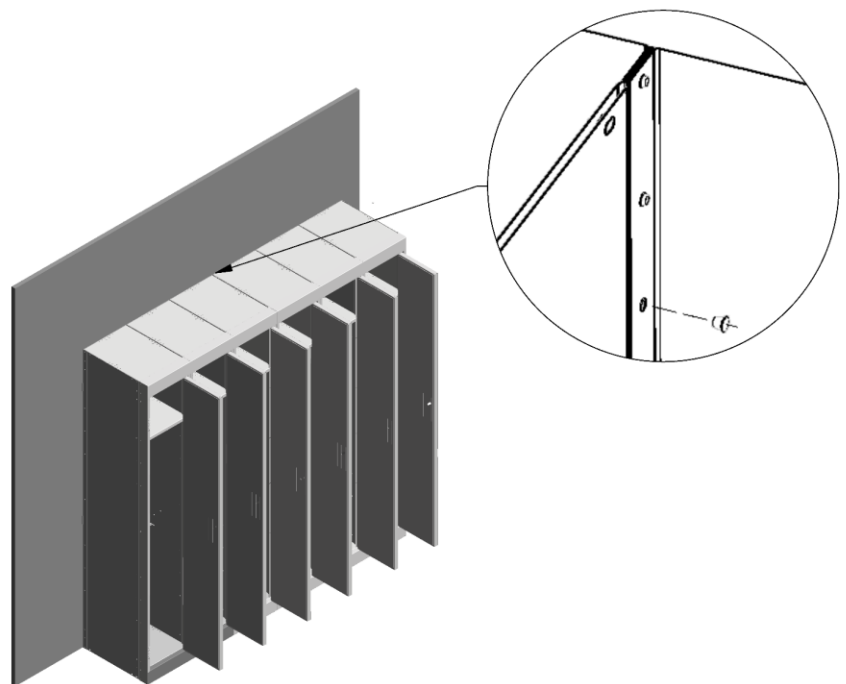
Stand lockers up right and position against the wall. Fasten every second locker to the wall, using 2 screws with anchors. Dimensions shown is based on a 72" high locker.

Note: Blocking and fasteners by others.



### STEP 11: Fasten Banks

Attach banks of lockers together with rivets or nuts and bolts. Follow Step 10 for fastening to the wall.

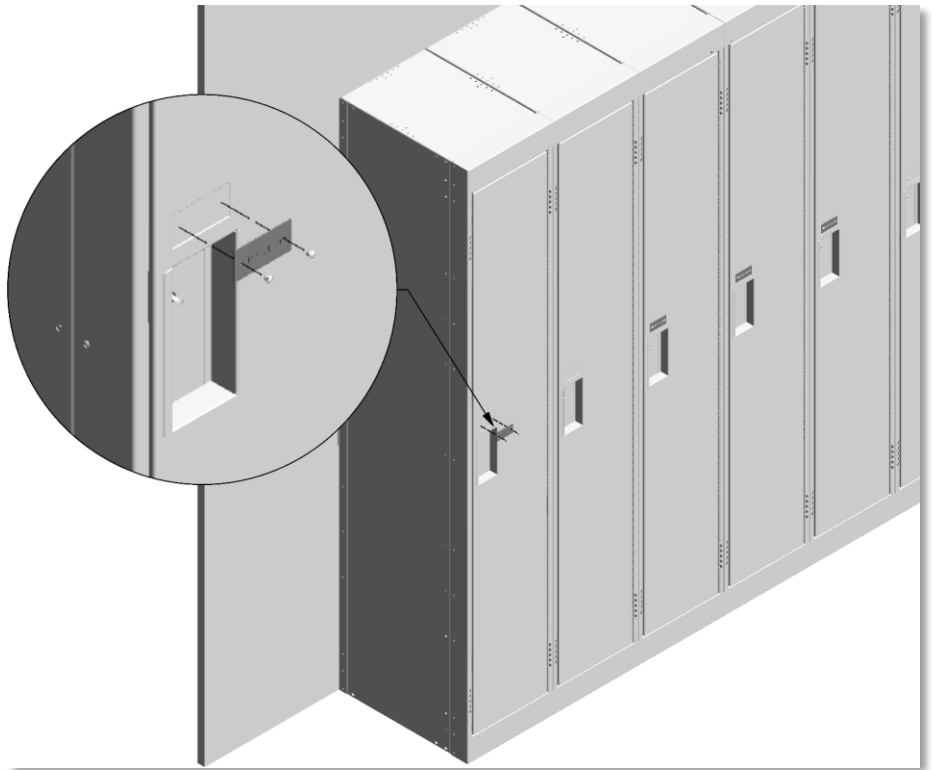


## Installation Manual for Metal Emperor Lockers

### STEP 12: Fasten Number Plates

Attach number plates to the lockers with rivets. (Provided).

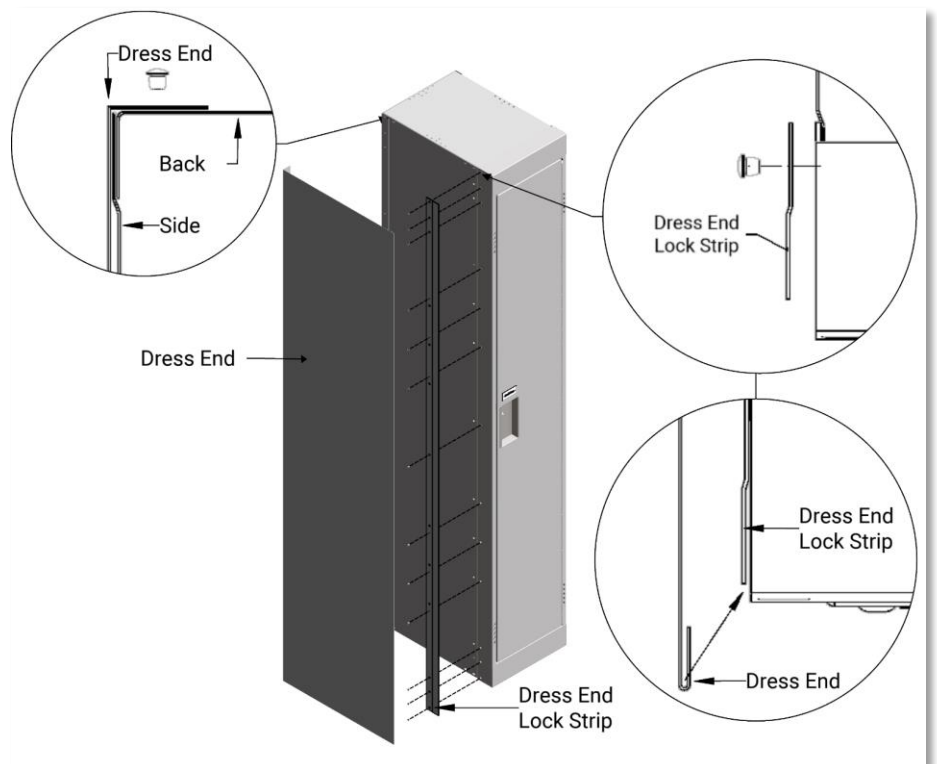
Number sequence is provided by end-user.



### Appendix A: Dress End Panel

Attach locking strip while frame assembly is being attached. The front of the locking strip must be slightly behind the front of the frame assembly. The locking strip must present an opening to the locker front in order to accommodate the dress end.

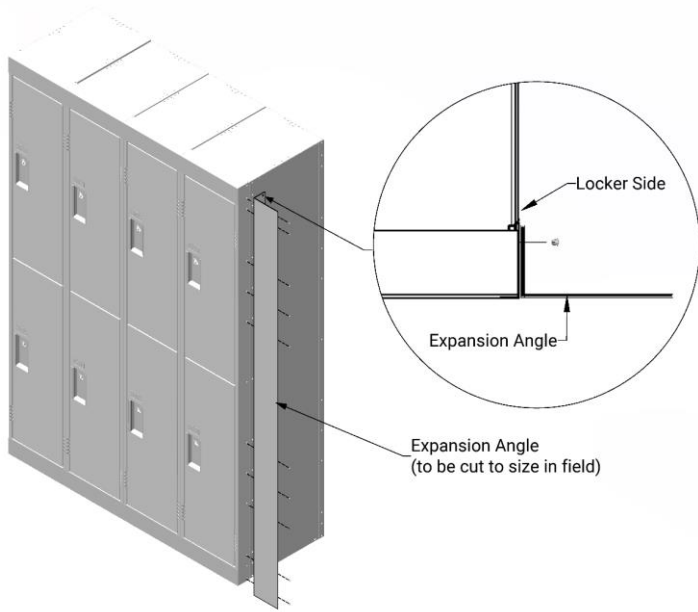
Once lockers are erected, slide dress end panel over locking strip until back bend is behind locker. Drill three 7/32" (6mm) holes, evenly spaced, through the lip of the dress end panel and into rear of locker. Secure with rivets.



## Installation Manual for Metal Emperor Lockers

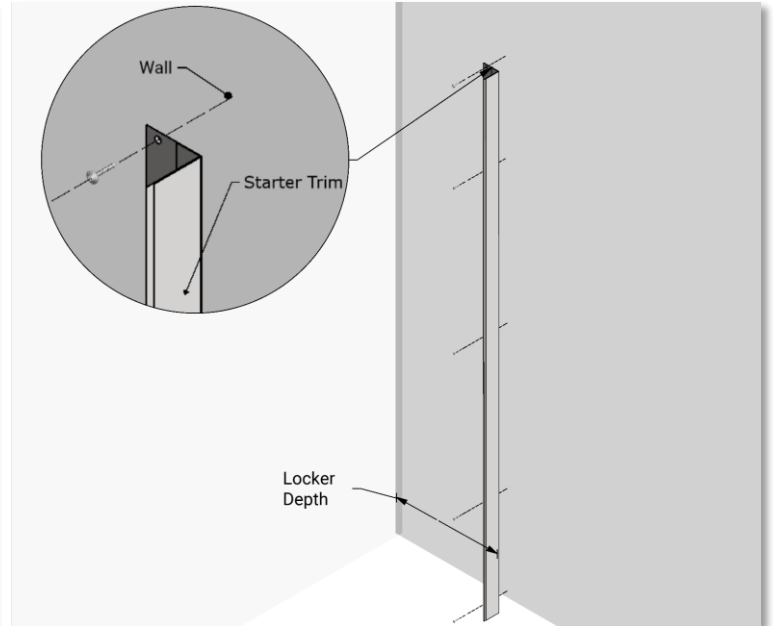
### Appendix B.1: Starter Trim

Fasten expansion angle to the locker jamb as noted in steps 8 & 9. Pages 9 & 10



### Appendix B.2: Starter Trim

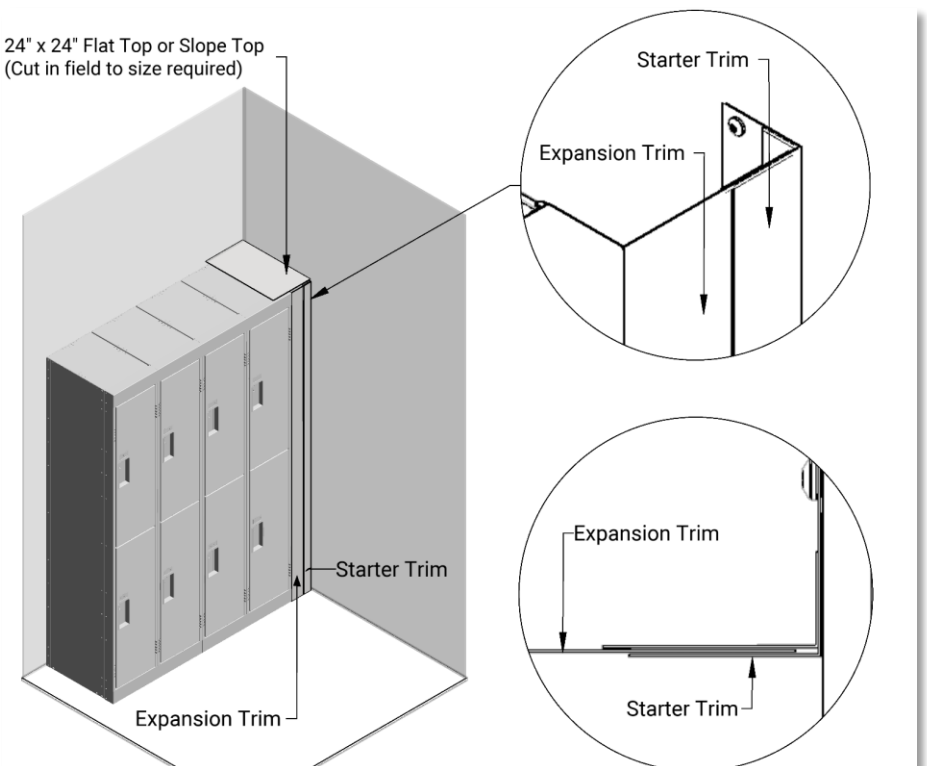
Fasten Starter Trim to the wall, with a minimum of 5 screws. (supplied by others)



### Appendix B.3: Starter Trim

Fasten Starter Trim to the wall, with a minimum of 5 screws. (supplied by others)

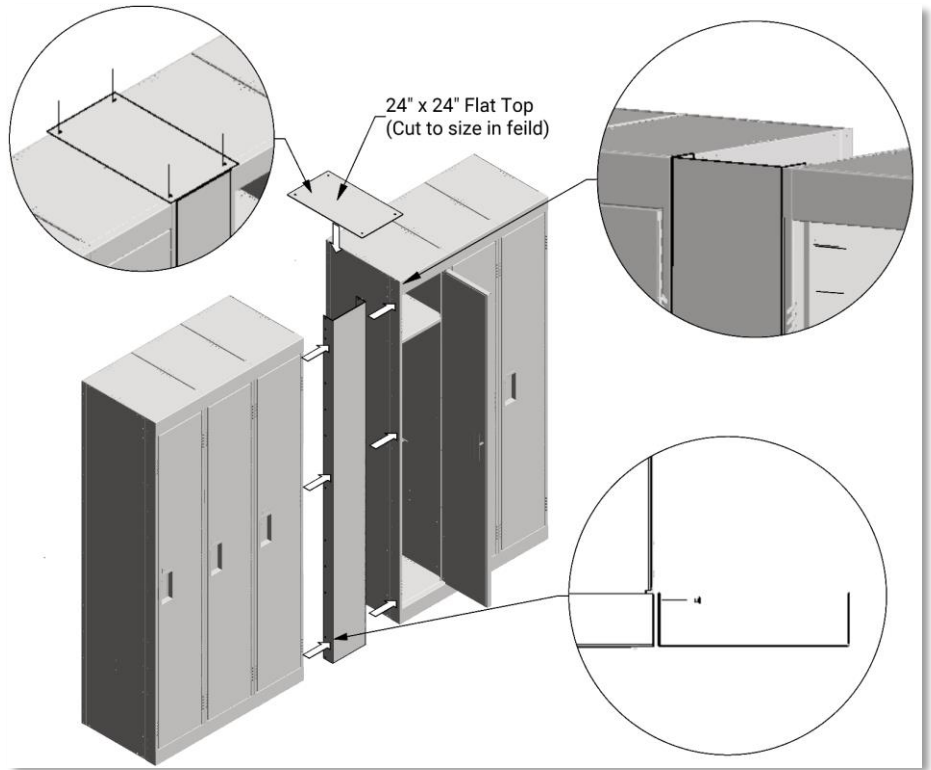
24" x 24" Flat Top or Slope Top  
(Cut in field to size required)



## Installation Manual for Metal Emperor Lockers

### Appendix C: "U" Filler Panel

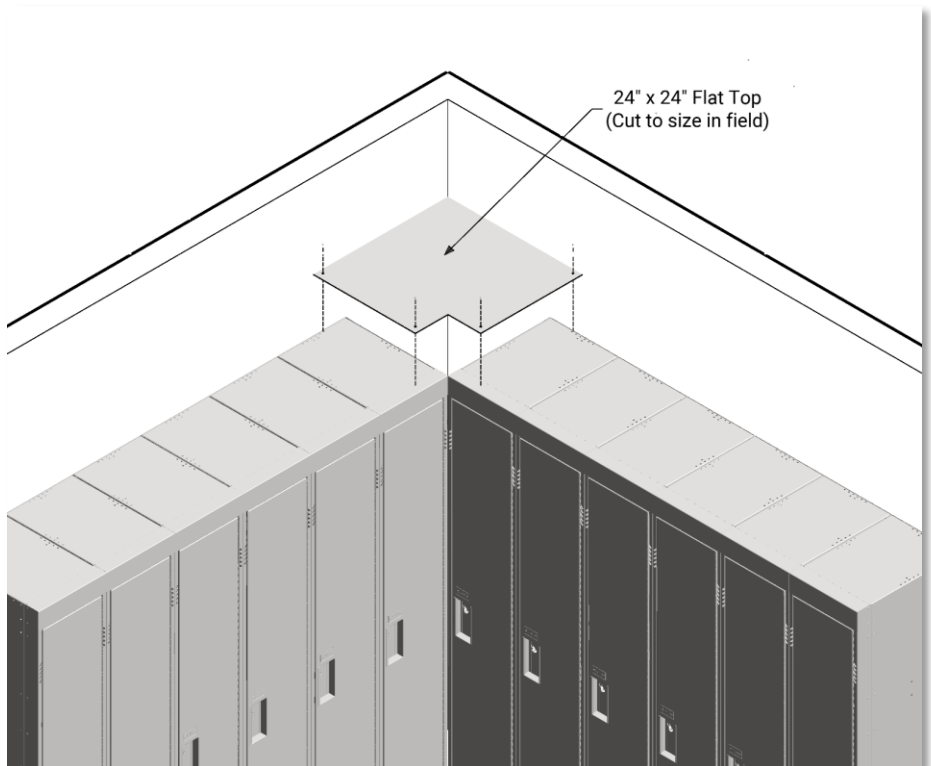
Fasten "U" filler to locker jamb with a minimum of 5 fasteners.



### Appendix D: Flat Top Corner

Attach locking strip while frame assembly is being attached. The front of the locking strip must be slightly behind the front of the frame assembly. The locking strip must present an opening to the locker front in order to accommodate the dress end.

Once lockers are erected, slide dress end panel over locking strip until back bend is behind locker. Drill three 1/4" (6mm) holes, evenly spaced, through the lip of the dress end panel and into rear of locker. Secure with rivets.



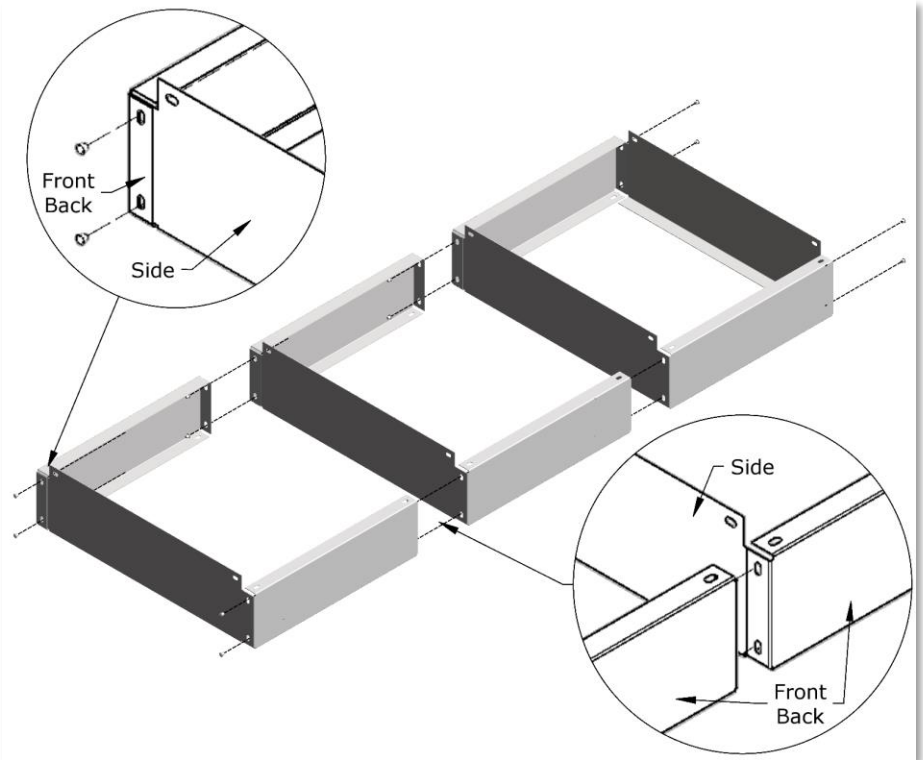
## Installation Manual for Metal Emperor Lockers

### Appendix E.1: Box Bases

Assemble a base long enough to match the bank of lockers.

Base sides are positioned inside the front and back. One side is shared between adjacent boxes.

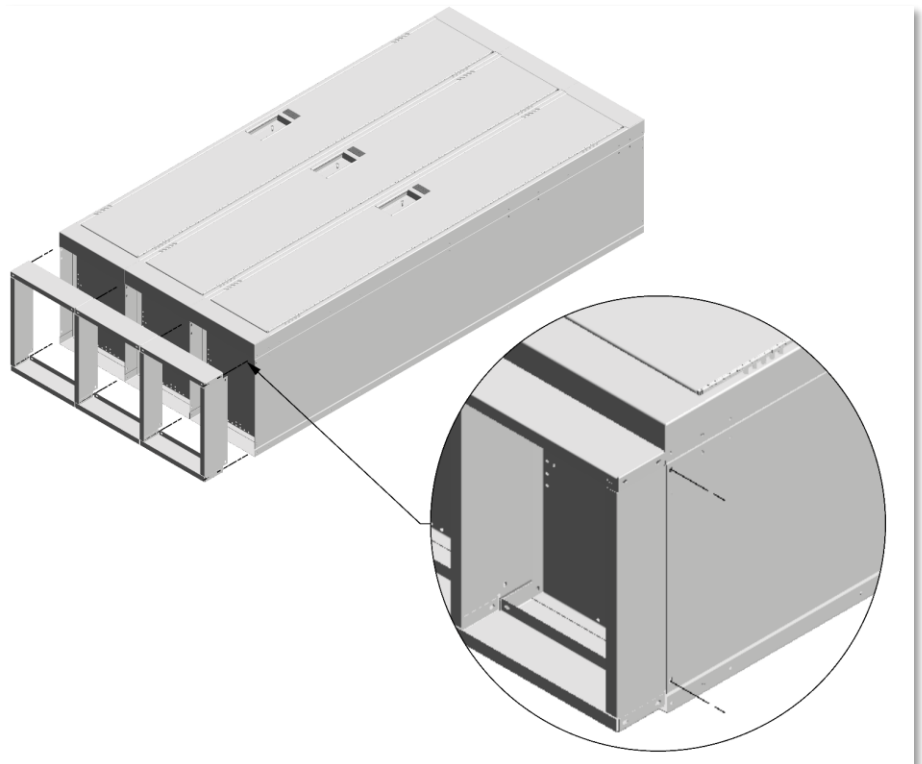
Front panels must be flush.



### Appendix E.2: Box Bases

Fit the sides of the base inside the locker side panels.

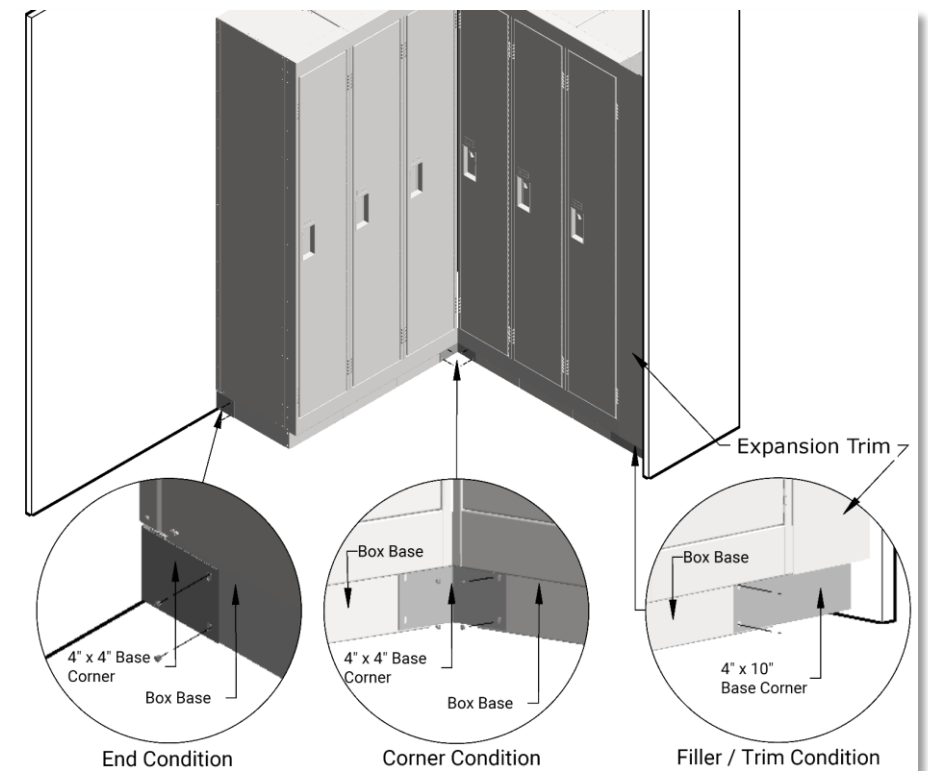
Holes are provided at each end of the side for fastening Box Base. When installed correctly, the base will be approximately 3/8" (10mm) from the back of locker. This prevents interference with the floor moulding.



## Installation Manual for Metal Emperor Lockers

### Appendix E.3: Box Bases

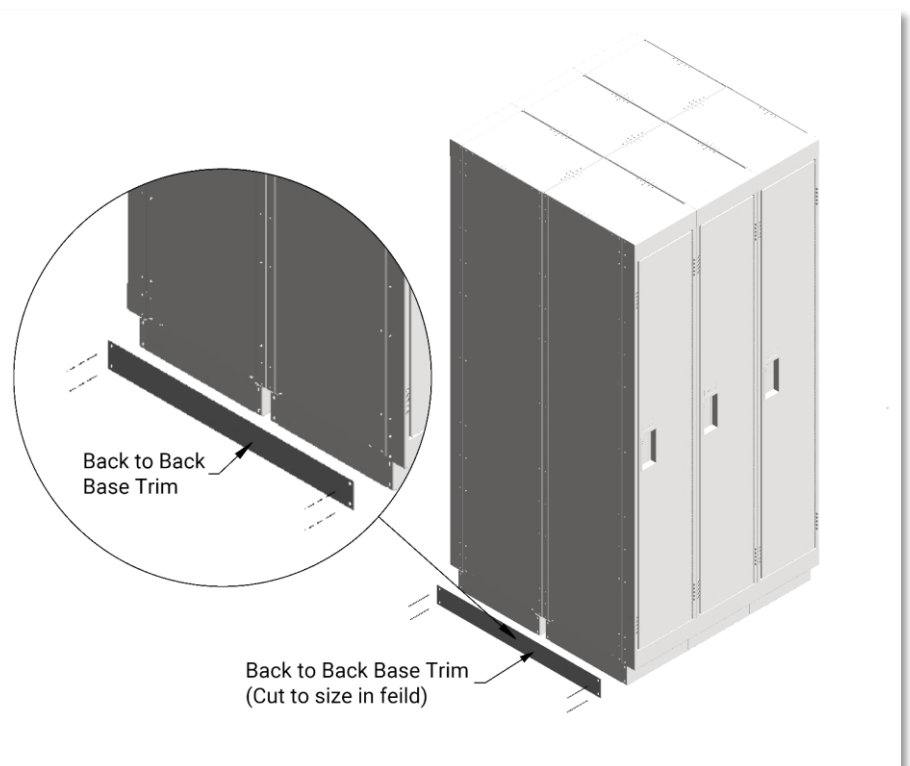
Install base corners where there are gaps due to corner conditions, end conditions and or filler/trim condition.



### Appendix E.4: Box Bases

Install back to back base trim when you have back to back conditions.

Note: Base trim is to be cut to size in field.





## Installation Manual for Metal Emperor Lockers

### Appendix F.1: Z Base

Fasten Z-base to floor. Establish hole locations from wall using the following:

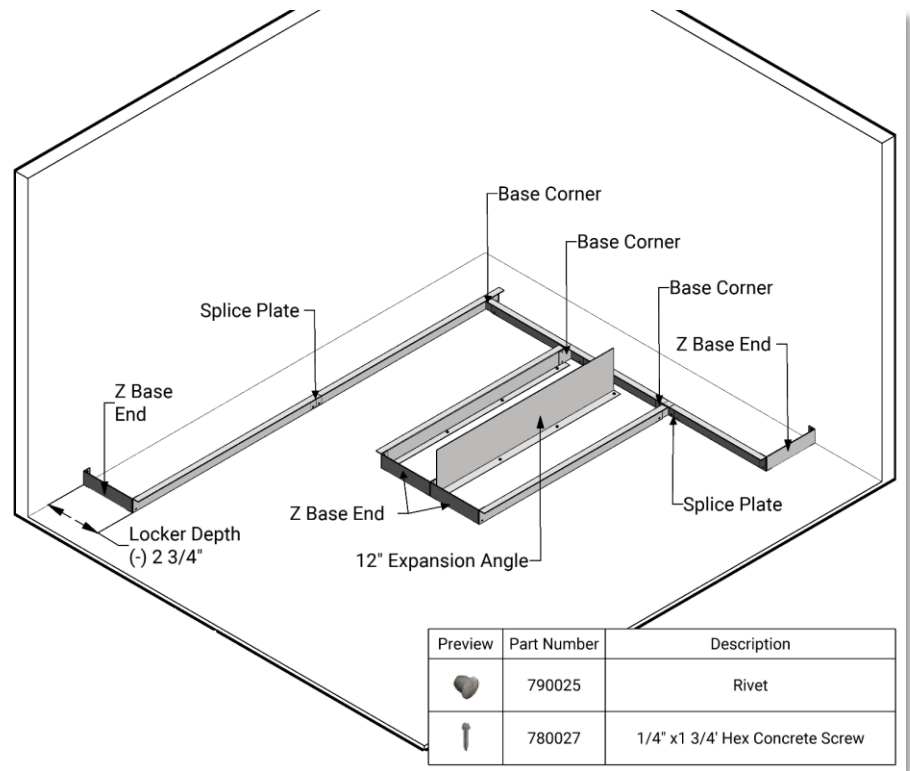
#### Hole Locations

12" (305mm) Deep Lockers – 9 ¼" (235mm) from wall  
 15" (381mm) Deep Lockers – 12 ¼" (311mm) from wall  
 18" (457mm) Deep Lockers – 15 ¼" (387mm) from wall  
 21" (535mm) Deep Lockers – 18 ¼" (463mm) from wall  
 24" (607mm) Deep Lockers – 21 ¼" (540mm) from wall

Use part number 780027 – ¼" x 1 ¾" hex concrete screws, for all floor and wall mounting.

Use part# 790025 – rivet, for all base to base hardware connections.

Note: Continuous Z Base is to be cut to size in field.

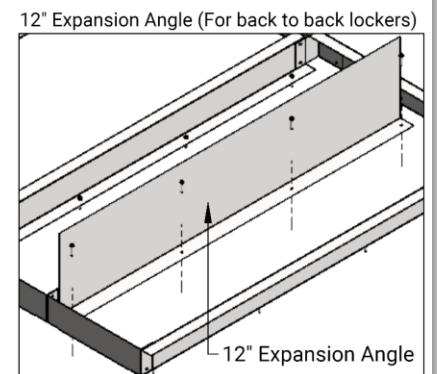
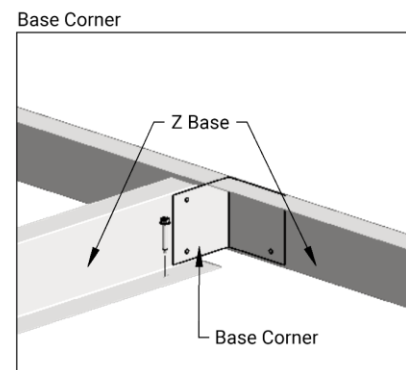
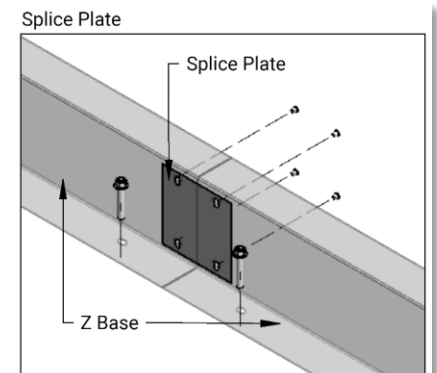
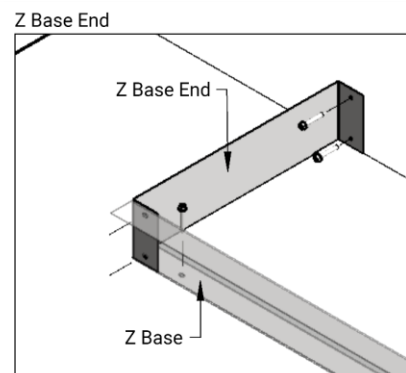


### Appendix F.2: Z Bases

#### Notes:

Use an end base at every other joint to provide stabilization for the base system.

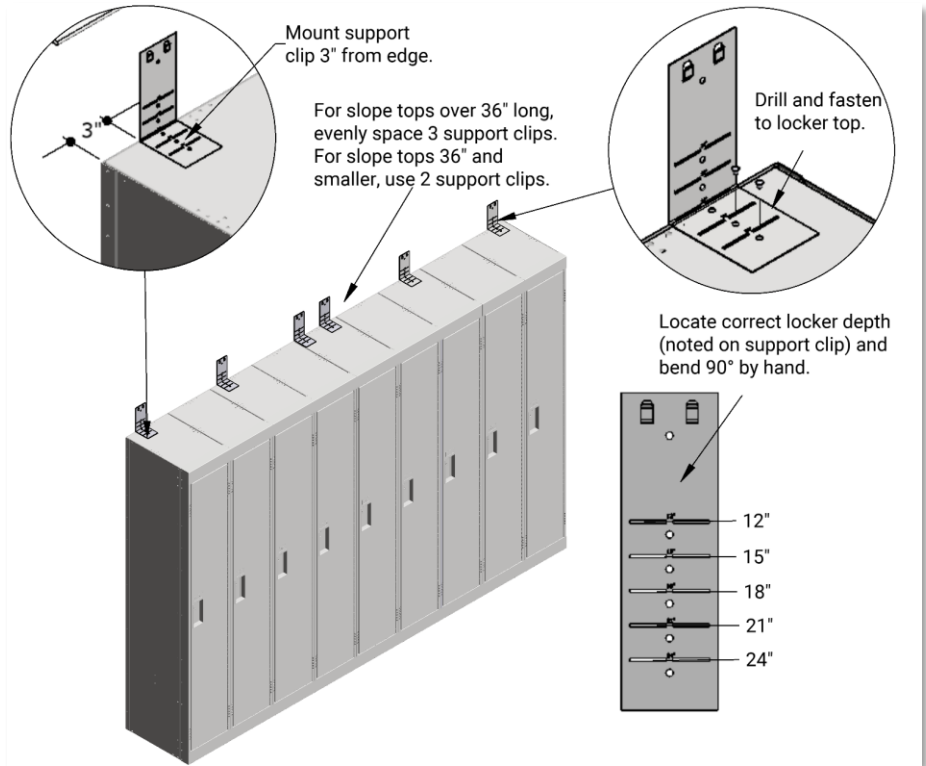
For back-to-back lockers, anchor a 12" (305mm) expansion angle to the floor between the rows of lockers. Expansion angle is to be cut to size in field. Fasten locker backs through the 12" expansion angle. Hadrian also recommends the use of wood blocking on floor (by others) to support the locker backs.



## Installation Manual for Metal Emperor Lockers

### Appendix G.1: Slope Tops – Support Clips

Prepare slope top support clip, by bending the support clip at the correct locker depth (noted on clip). Bend the support clip to 90° by hand. Space support clips evenly and fasten to locker top.

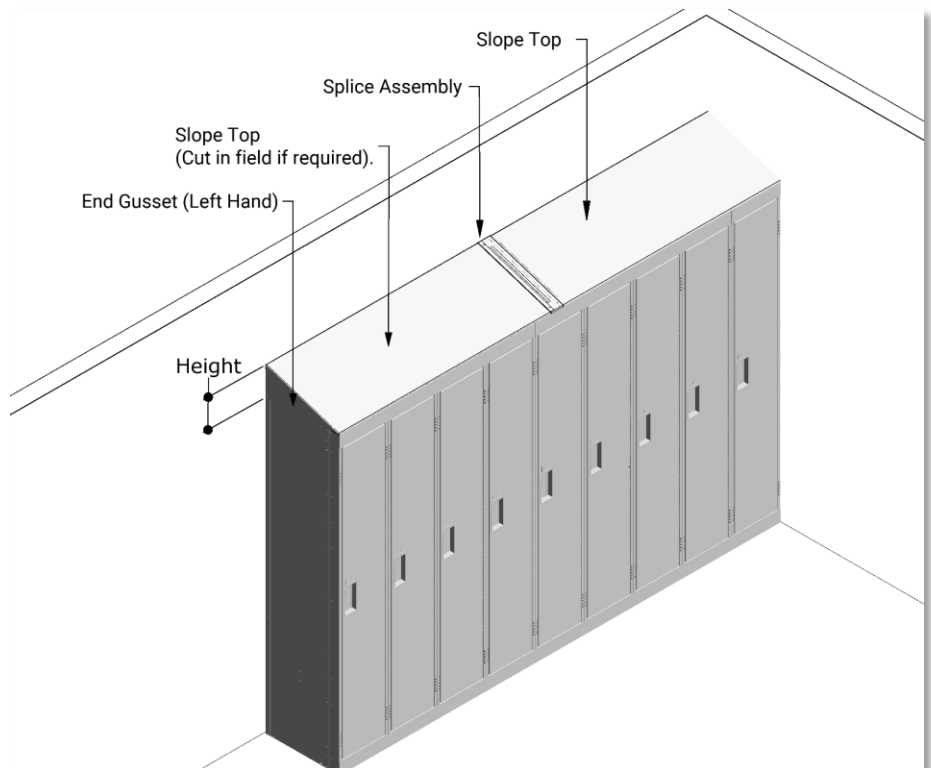


### Appendix G.2: Slope Tops

See appendix G.3 for details.

#### Slope top heights for different locker depths

12" Deep Lockers / 4" Slope Top Height  
 15" Deep Lockers / 5" Slope Top Height  
 18" Deep Lockers / 6" Slope Top Height  
 21" Deep Lockers / 7" Slope Top Height  
 24" Deep Lockers / 8" Slope Top Height



## Installation Manual for Metal Emperor Lockers

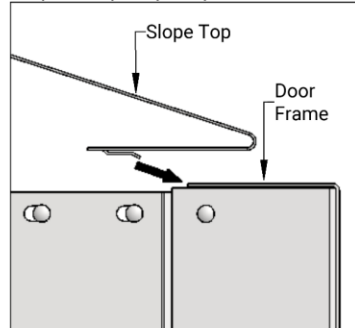
### Appendix G.3: Slope Tops

Slide Slope Top onto top of locker frame and support clip as shown in Step 1 & 2.

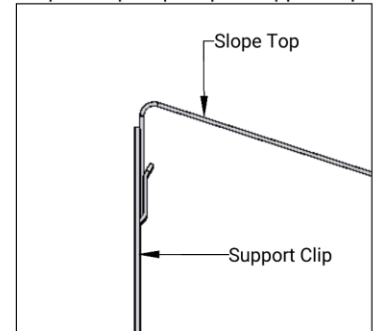
Insert Splice Plate for long runs of Slope Top. Splice Plate to be installed at each Slope Top end, as shown in Step 3.

Fasten End Gusset to locker, as shown in Step 4.

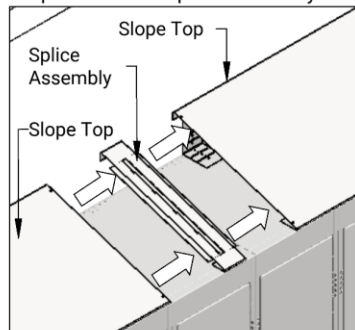
Step 1 - Clip slope top to door frame.



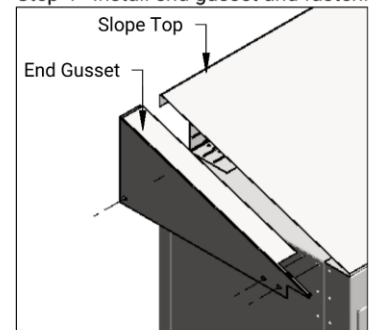
Step 2 - Clip slope top to support clip.



Step 3 - Slide on splice assembly.



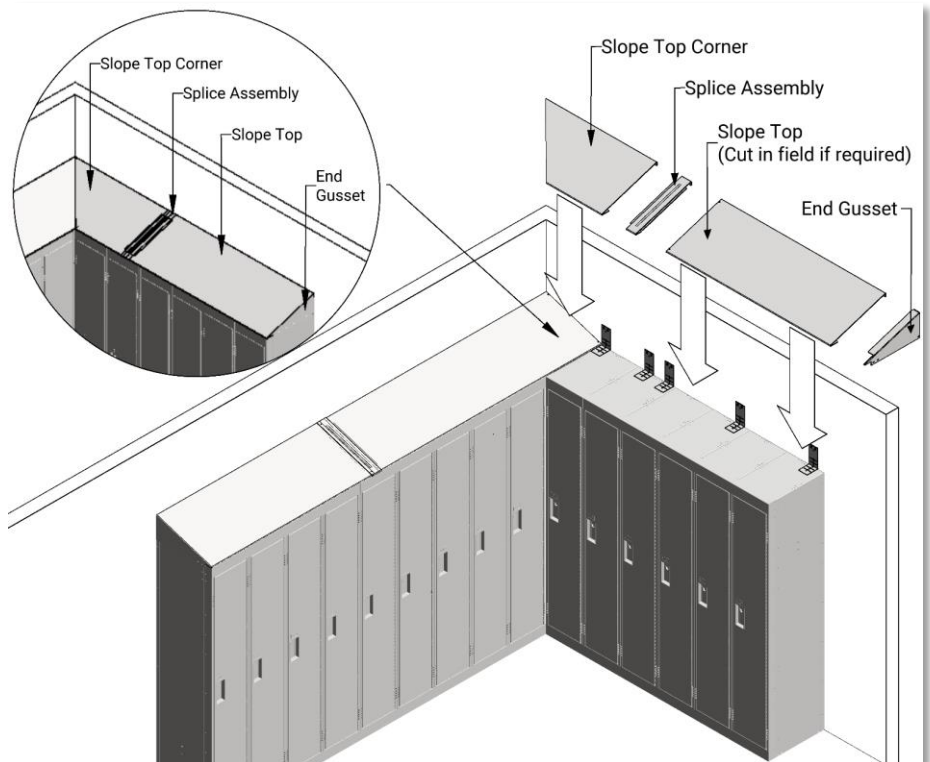
Step 4 - Install end gusset and fasten.



### Appendix G.4: Slope Tops – Corner

Run one end of the Slope Top flush against the wall. Use Slope Top Corner at the connection with the adjacent Slope Top.

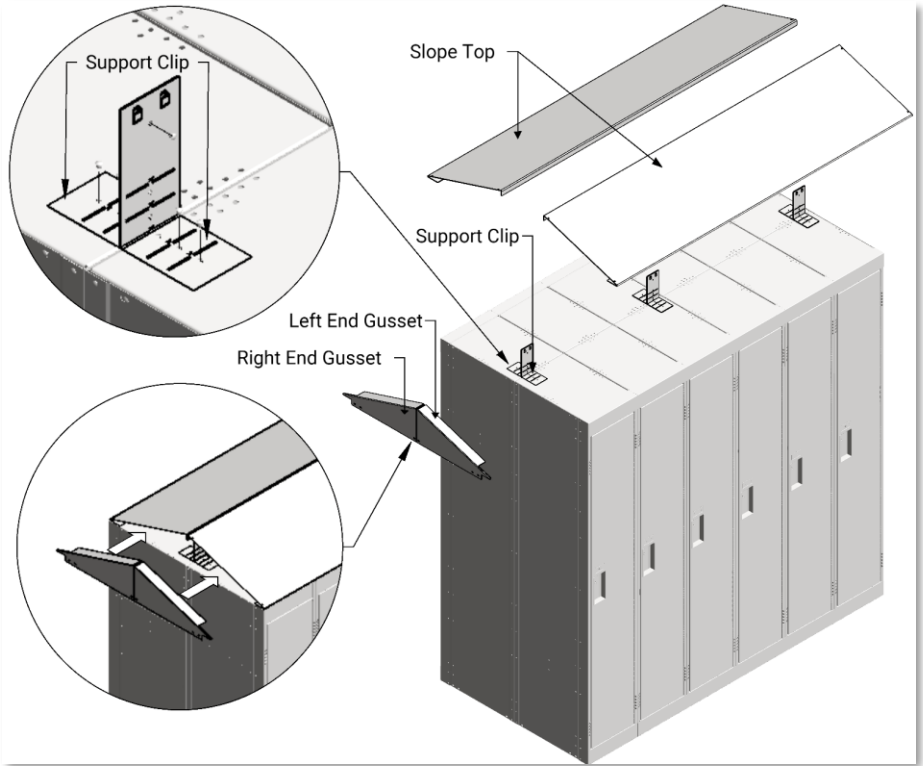
Note the direction of the Slope Top Corner provided prior to layout of Slope Top.



## Installation Manual for Metal Emperor Lockers




### Appendix G.5: Slope Tops – Back to Back

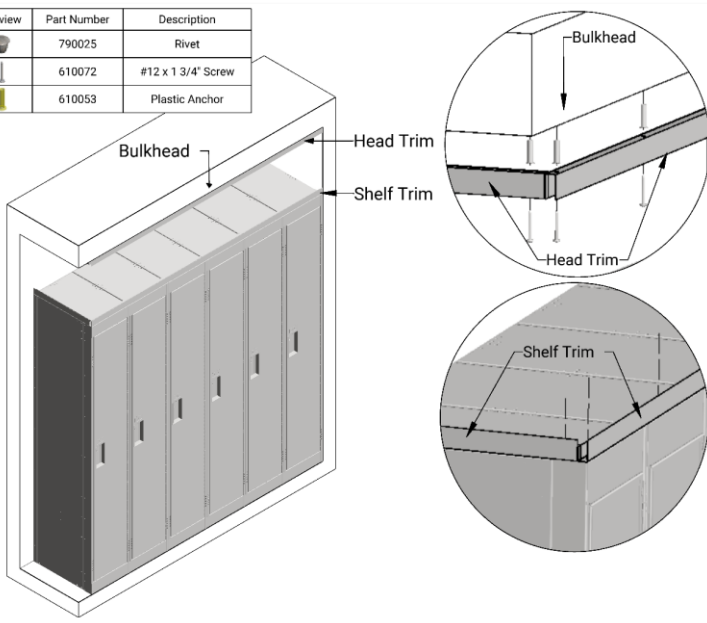
Prepare slope top support clip by bending the support clip at the correct locker depth (noted on clip). Bend the support clip to 90° by hand. Space support clips evenly and fasten to locker top back to back, as shown in the detail. Follow Appendix G.3 for slope top installation.



### Appendix H.1: Plenum Panels

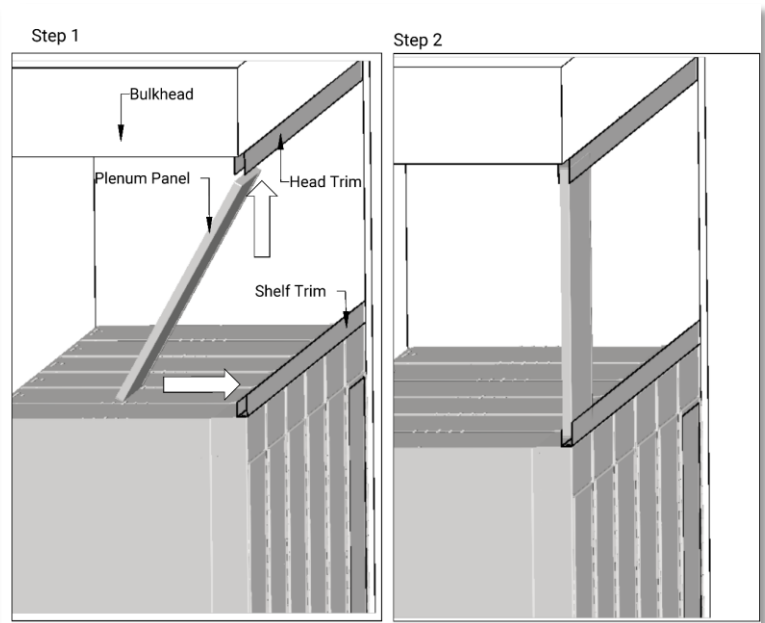
Fasten head trim to bulk head and shelf trim to the top of lockers, flush to the front of the locker. Some field cutting may be required.

Preview	Part Number	Description
	790025	Rivet
	610072	#12 x 1 3/4" Screw
	610053	Plastic Anchor



### Appendix H.2: Plenum Panels

Slide Plenum panel up into the top channel and then in and down into the bottom channel. Some field cutting may be required.



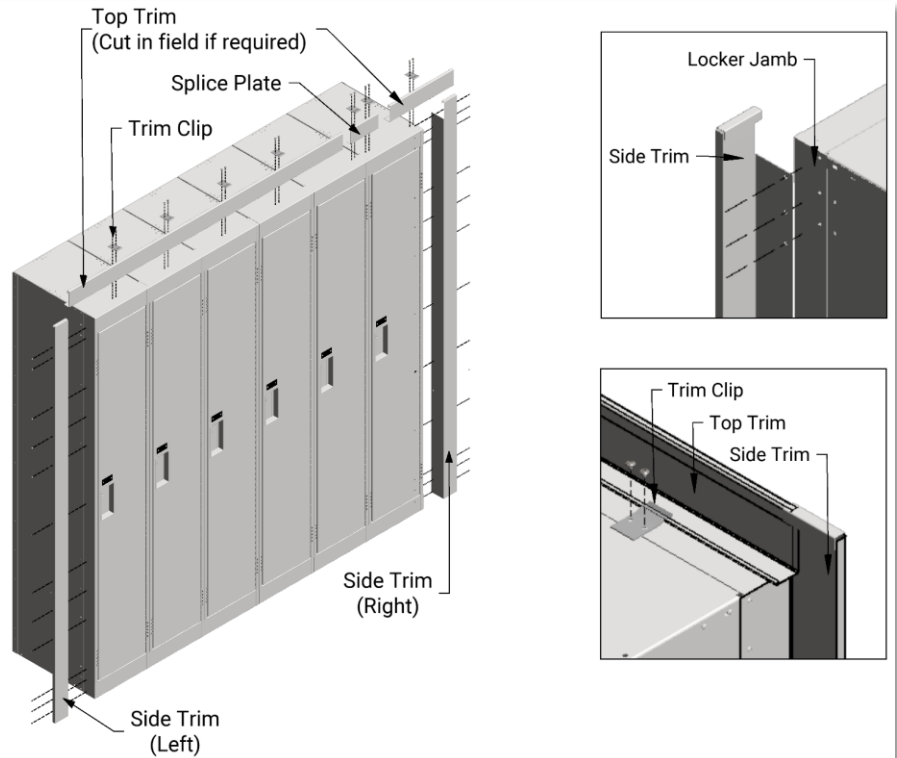
## Installation Manual for Metal Emperor Lockers

### Appendix I: Recess Trim

Attach side trim to the locker door jamb during steps 6 & 9 of the assembly instructions. See page 9 & 10

Position top trim and fasten with trim clips every 12". Use a splice plate to join top trim pieces.

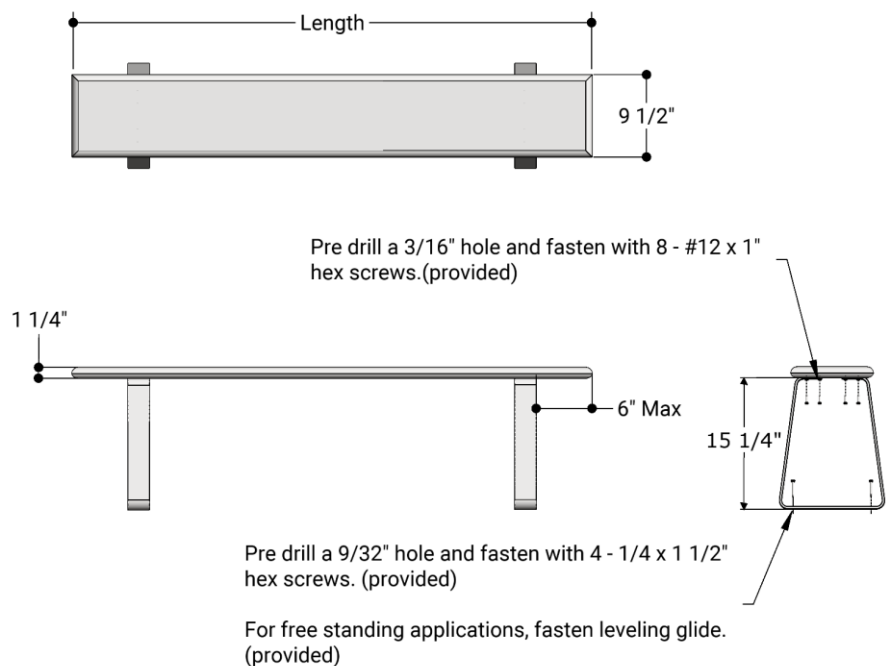
Note: Top trim to be cut to size in field.



### Appendix J: Benches

Aluminum pedestals are painted to match the locker door and frame color.

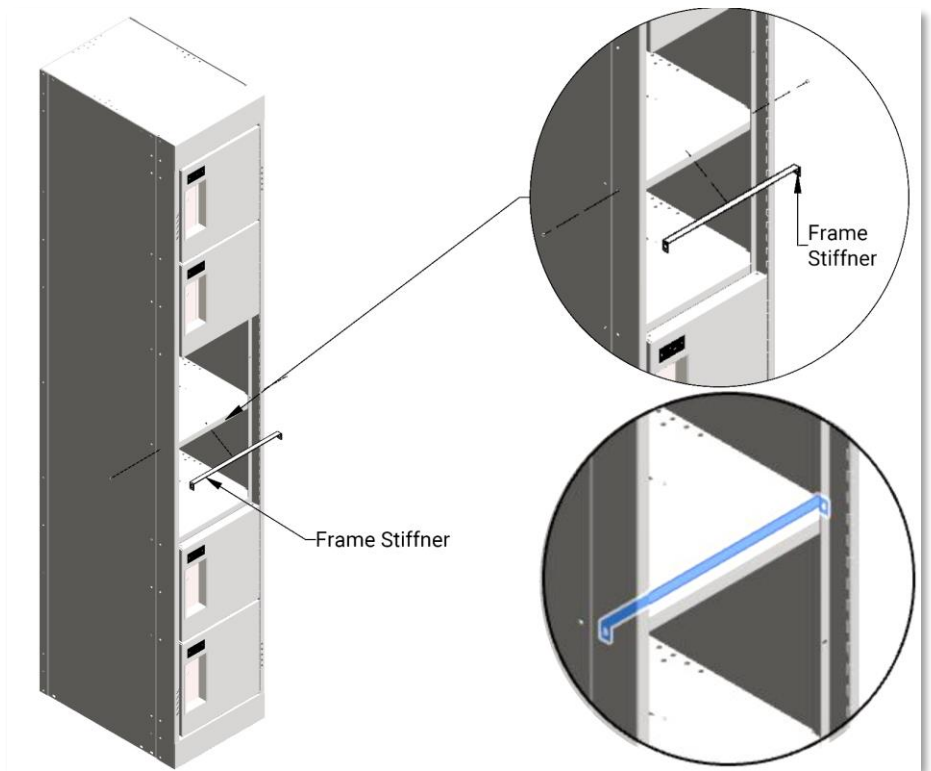
Benches that are 8' and larger require 3 bench pedestals per bench.



## Installation Manual for Metal Emperor Lockers

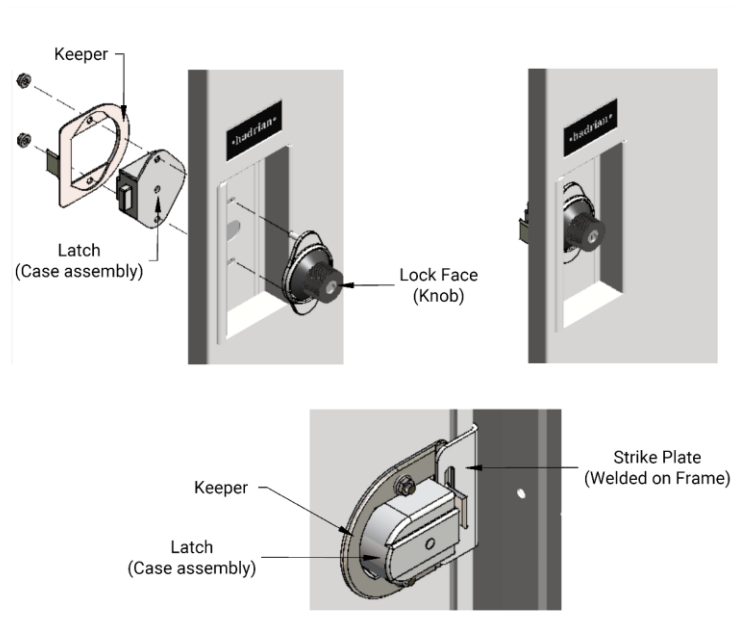
### Appendix K: Six Tier Frame Stiffener

Install the frame stiffener under the middle shelf. The stiffener should be installed during locker assembly steps 6, 7 & 8.



### Appendix L: Built in Combination Locks (Master Lock Only)

Follow the Master Lock installation instructions that were provided with the locks. Hadrian supplies a keeper, which is required as shown below when installing the lock.



### Appendix L: Built in Key Locks (Master Lock Only)

Follow the Master Lock installation instructions that were provided with the locks. Hadrian supplies a keeper, which is required as shown below when installing the lock.

