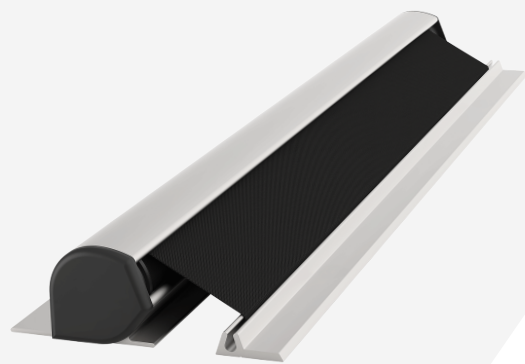


## FINGER PROTECTION DEVICES

## FP300

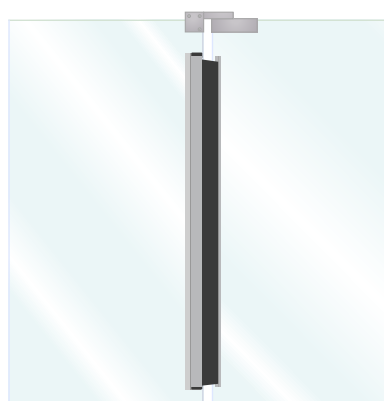


## DESCRIPTION

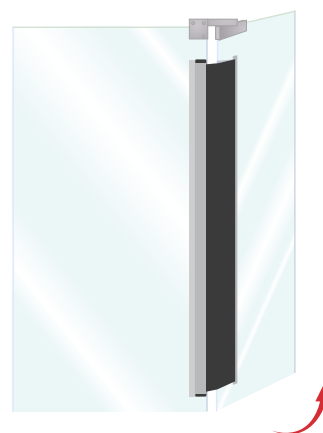
A special model of finger protection specifically for glass to glass edge doors, utilising acrylate-foam high performance tape for fitting to glass surfaces.

Suitable for most **single and double action doors** including automatic doors, utilizing a roller system to provide effective finger protection; preventing fingers being accidentally trapped between gaps in **glass doors**.

Featuring a sleek, easy to clean, aluminium housing. Strong **fire-retardant fabric** material is kept under constant tension, designed to cover the gap between the glass door and frame automatically when the door is opened.



Closed



Open

## TECHNICAL DATA

Information	FP300
Cycles of operations	1,000,000
Maximum length	2500mm
Standard length	1925mm
Minimum length	325mm
Maximum fabric travel	260mm
Additional Info	➤ Mounted with acrylate-foam high performance tape

## APPLICATION



**BESPOKE FINISHES**

Housing RAL colour match available on request (POA).  
Please contact us to enquire.

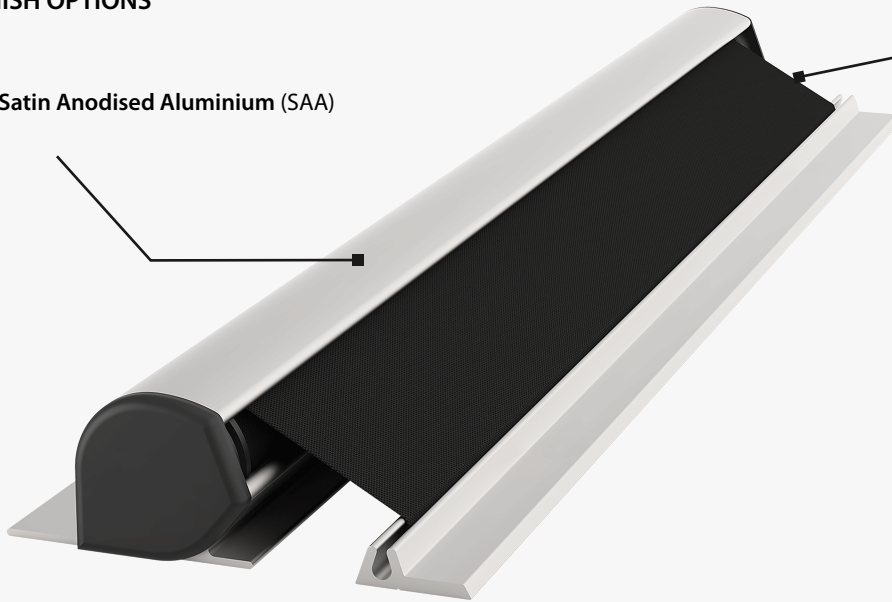
**FABRIC COLOUR**



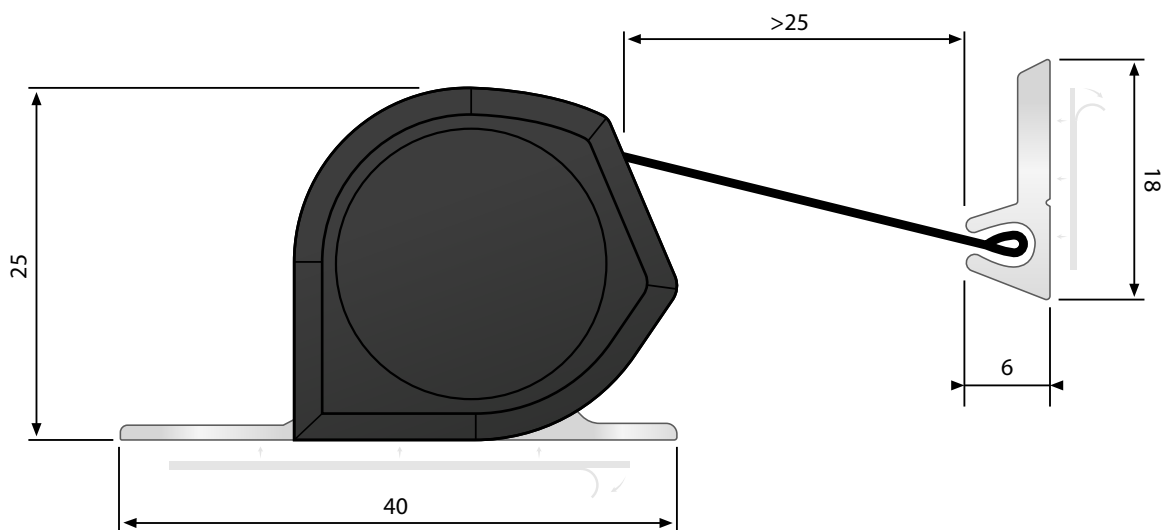
**HOUSING FINISH OPTIONS**



Satin Anodised Aluminium (SAA)



**DIMENSIONS**



Awarded German Safety Mark and certified to EN16654

