

CASH TRAY PB01

DIMENSIONS (mm)
W: 192 L: 416 D: 97

CASH TRAY PB02

DIMENSIONS (mm)
W: 378 L: 415 D: 97

CASH TRAY INSERTS

Cash Tray Inserts are used for cashiers to store their cash float in. Suitable for any application involving the exchange of cash.

MAIN FEATURES

- Plastic construction with two lid locks to the case front corners and a tab seal to the rear
- Robust high quality design suitable for heavy commercial use
- As standard the case is configured with note slots and coin holders
- Low cost and secure

OPTIONAL

- Installation services
- Service nationwide

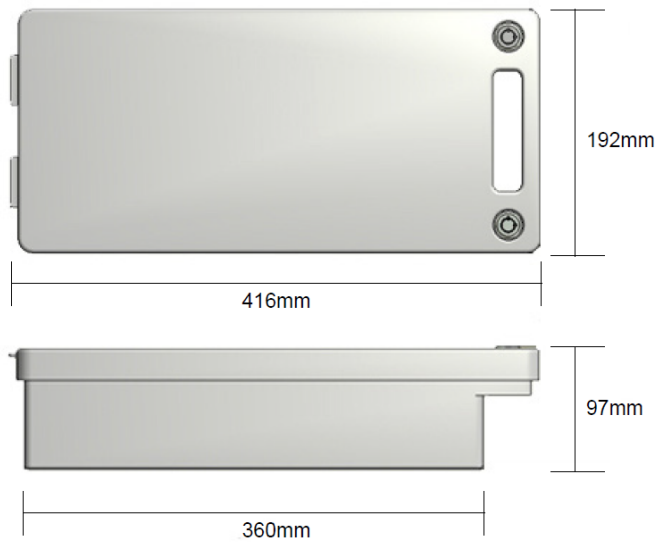


SERVICE &
MAINTENANCE
AVAILABLE

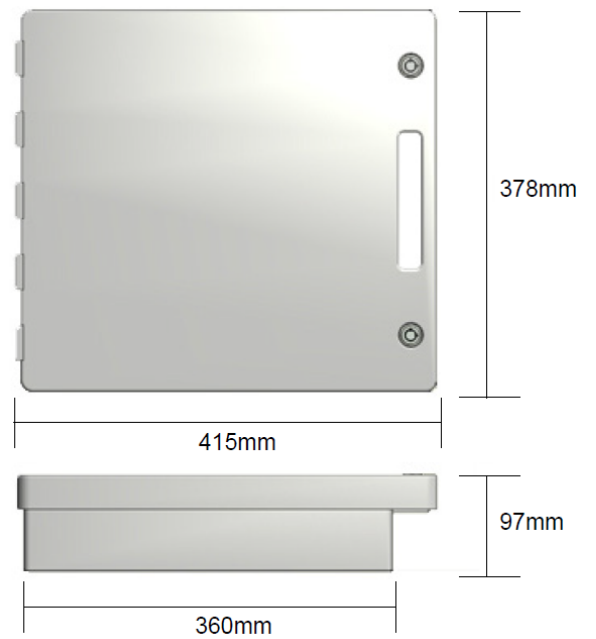
+44 (0) 1322 223 233

sales@safetell.co.uk safetell.co.uk

TECHNICAL DRAWINGS



PB01



PB02

WE ARE FULLY ACCREDITED



+44 (0) 1322 223 233

sales@safetell.co.uk safetell.co.uk

