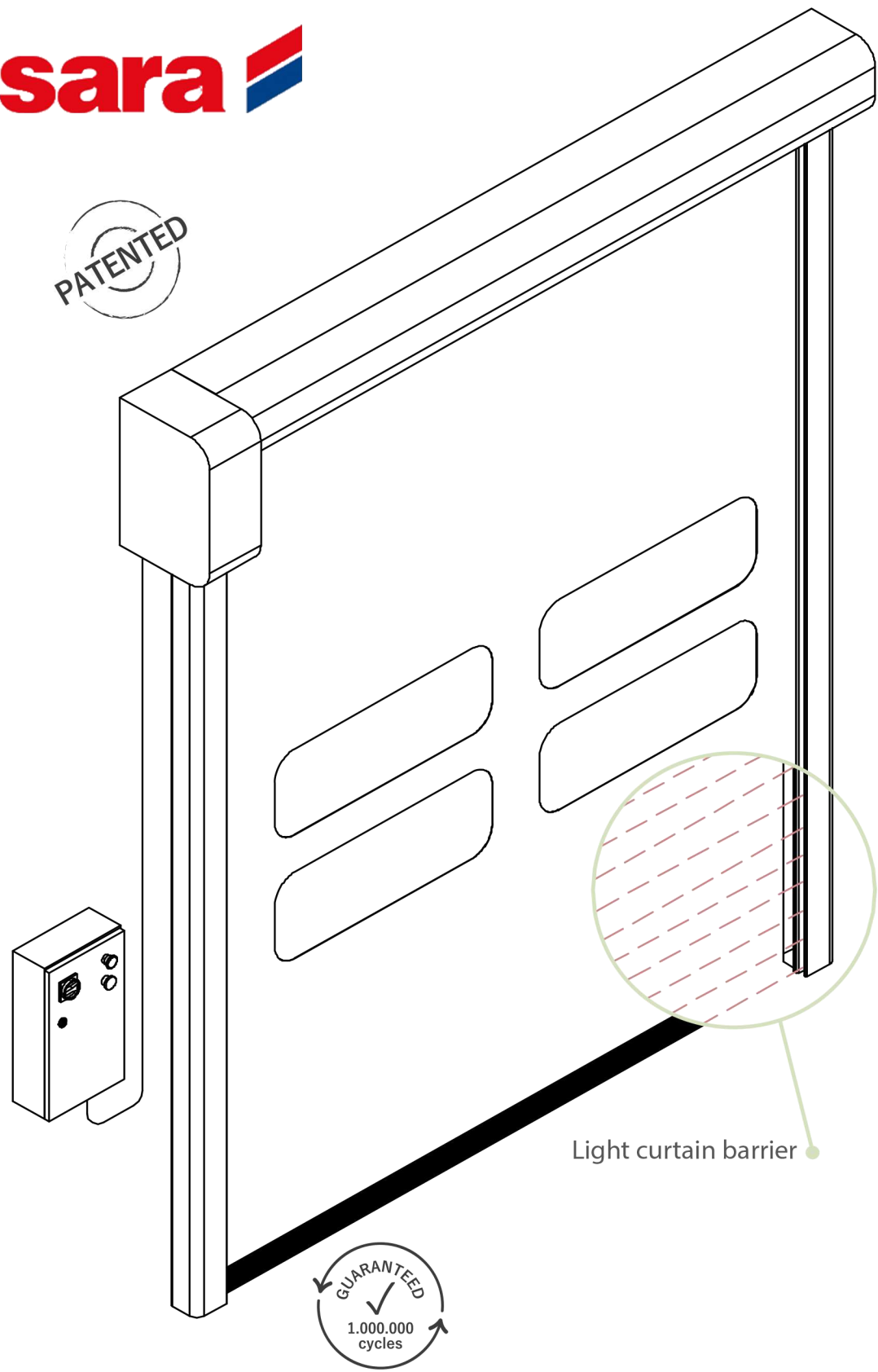


# DYNAMICROLL® 90



## DESCRIPTION

DynamicRoll® 90 is a self-repairing roll up door designed to reach different kinds of applications, both internal and external, allowing the traffic flows and assuring high safety. Thanks to the special sliding system, that lets the curtain, without rigid elements inside it, come out from the guides, to protect itself in case of any impact during the operation of the door and allows it to reinsert after one cycle.

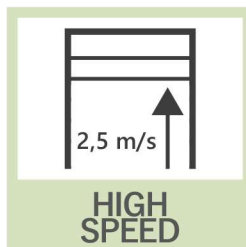
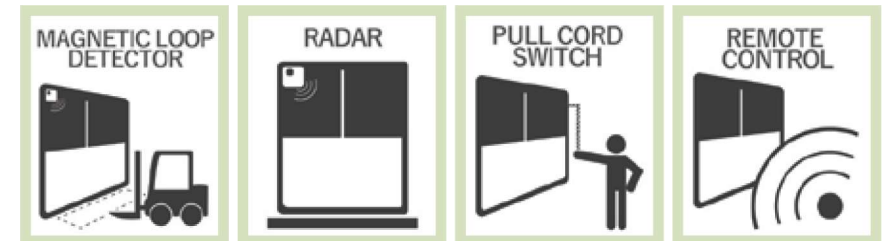
## ADVANTAGES

- ✓ Self-repairing
- ✓ Rapid
- ✓ Sealing
- ✓ Noiseless
- ✓ No rigid elements inside the curtain for 100% safety
- ✓ Plug & play (easy to install)
- ✓ Low maintenance
- ✓ Energy savings

## APPLICATION

**Self-repairing Roll up door with zipper sliding system** ideal for:

- ✓ Industry
- ✓ Large retailers
- ✓ Storage warehouses
- ✓ Productive laboratories
- ✓ Chemical
- ✓ Automotive
- ✓ Car wash
- ✓ Food industry



## EN13241/CE

Standard	Ref.	Test acc.	Results
Water permeability	EN 12425	EN 12489	Class 1
Wind load	EN 12424	EN 12444	Class 4
Wind permeability	EN 12426	EN 12427	Class 4
Safe openings	EN 12453	EN 12445	✓
Mechanical resistance	EN 12604	EN 12605	✓
Unintended movements	EN 12604	EN 12605	✓
Thermal transmittance	EN 12428	EN 12428	6,02 W/m²K
Performance (cycles)	EN 12604	EN 12605	1.000.000

VALUES CAN CHANGE DEPENDING ON DOOR DIMENSIONS