

## Mains Powered Interface

### Examples of applications:

#### BS7273 Functionality

BS7273 part 4 2007 is the code of practice governing door holders and door release mechanisms. With the latest software, Vigilon offers a compliant solution with a mains powered interface. No further equipment is necessary as Interface outputs can be configured to be both Category A or B door release outputs. BS7273 functionality is only available in EN versions of Vigilon. It is possible to turn off any of the outputs under mains fail conditions to preserve battery capacity.

#### Intrinsically Safe Applications

Integration of Intrinsically Safe devices with the Vigilon product range is now far simpler with the new Mains Powered Interface. The MPI is easily configured to connect to IS detection zones and alarm circuits. The standard enclosure has ample accommodation for Din-Rail mounted isolators, relays and alarm drivers. Additional enclosures and powers supplies are no longer necessary.



### Description

*The Vigilon Mains Powered Interface allows you to connect to ancillary units which can not be integrated directly onto the Vigilon loop.*

## KEY FEATURES

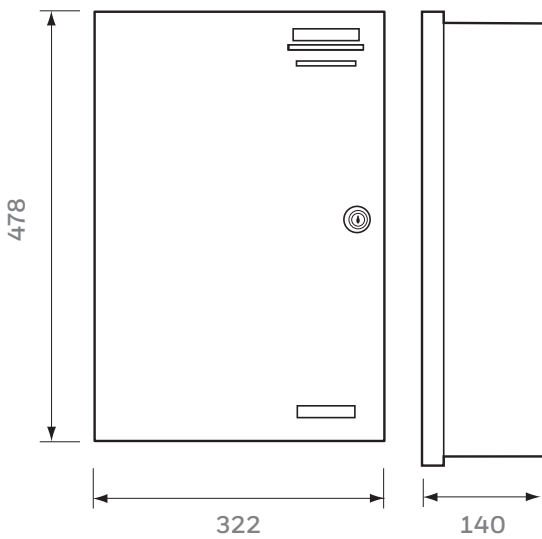
- Four channel interface complete with EN54:part 4 power supply
- A cost effective solution as all elements are included within the enclosure therefore reducing your installation and maintenance costs
- Four channels can be individually programmed to provide various configuration modes to control external equipment

# Mains Powered Interface Technical Specifications

ORDER CODES	
MAINS POWERED INTERFACE 2.0AHR	S4-34440-02
MAINS POWERED INTERFACE 12AHR	S4-34440-12

SPECIFICATION	
TYPE	Interface
STANDARDS	Certified EN54:part 4:1998 EN54:part 17:2005 EN54:part 18:2005
MAXIMUM NUMBER PER LOOP	100 units per loop (only 8 with fully sectored outputs)
OVERALL DIMENSIONS	478mm x 322mm x 128mm
ASSEMBLED WEIGHT (APPROXIMATE)	7Kg (excluding batteries and optional components fitted)
ENCLOSURE	Steel
COLOUR	RAL7024 Graphite Grey (fine textured)
STORAGE TEMPERATURE	20°C to 70°C
AMBIENT OPERATING TEMPERATURE	10°C to 45°C
RELATIVE HUMIDITY (NON CONDENSING)	Up to 95% Temperature 5°C to 45°C
INGRESS PROTECTION (ESTIMATED)	IP31
OPERATING VOLTAGE	230V 50Hz +10% -6%
CURRENT CONSUMPTION	0.7A
INPUT MODES	Input can be fault monitored, voltage free contacts OR conventional detection
ZONE CIRCUIT	Refer to the commissioning information for more details
QUIESCENT CURRENT	20mA per zone (default) Zone short circuit current limited to < 30mA EN54 compliance limitation: 32 devices OR Maximum of 20 diode bases per zone
OUTPUT MODES	Outputs are monitored 24V (nominal) 0.5A OR LED drive. Refer to the commissioning information for more details
CONFIRMATION MODES	It is possible to configure all Inputs and Outputs as confirmation channels Sector and Auxiliary Outputs – Sector and Auxiliary Outputs 0.5A max each @ 24V +/-3V
MAXIMUM TOTAL OUTPUT CURRENT	1.5A
AUXILIARY POWER OUTPUT	24V +/- 3V (12V for S4-34440-12)
BATTERIES – TWO TYPES	2 x 12V 2.1Ahr (1Kg each) for S4-34440-02 2 x 12V 12Ahr for S4-34440-12 (for standby times – use Vigilon standby calculator which has an embedded interface calculation utility)

## Dimensions (mm)



**For more information**  
[www.gent.co.uk](http://www.gent.co.uk)

**Honeywell Gent**  
 140 Waterside Road  
 Hamilton Industrial Park,  
 Leicester, LE5 1TN  
 Telephone: 0116 246 2042  
 E-mail: [gentenquiry@honeywell.com](mailto:gentenquiry@honeywell.com)

Content subject to change without notice.

GEN122 | 01/2017  
 © 2016 Honeywell International Inc.

**Honeywell**  
 GENT