

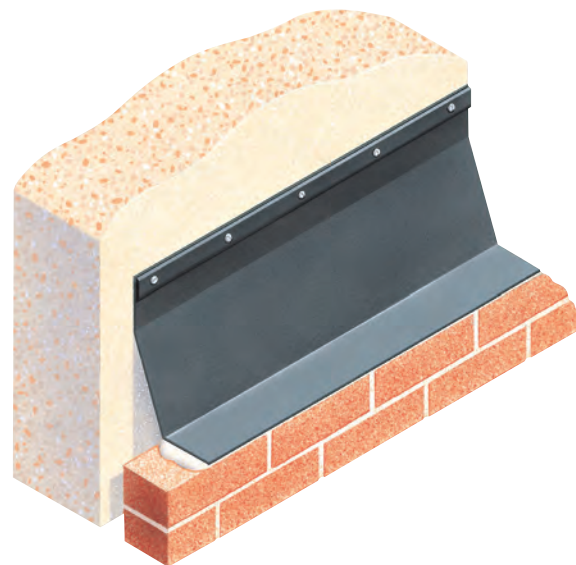
Specifications

Product name - group	Type Z Cavistrap
Cavity widths accommodated	N/A - does not influence
Dimensions	2000mm x 30mm Predrilled 4mm holes @ 150mm centres
Bespoke options	Yes
Traditional construction compatible	Yes
Timber frame construction compatible	Yes
New work applications	Yes
Retrofit / Remedial applications	Yes
Masonry skin styles	Most regular styles
Undulating / split masonry faces	Normally compatible
Curved wall on plan applications	Yes – use unhindered
Material	PVCU
Colour	Black
Extrudes / compresses under load	No
Pack size	50 x 2000mm lengths
CFC	CFC Free
ODP	Zero
Pack size	Available individually
CFC	CFC Free
ODP	Zero
Regulation compliance	Aids a compliant construction detail
May be used if cavity insulation present?	Does not affect functionality
CAD downloads	Yes
Design considerations	Cavity conditions can be seasonally humid, consider use of stainless fixings to secure Cavistrap

TYPE Z CAVISTRAP

Strap to secure flexible DPC to inner skin

- Easy to handle and use
- Pre-drilled
- Shape accommodates surface irregularities
- Cost effective method to mechanically secure flexible DPCs



Use

To uniformly hold and secure polymer, bitumen, polythene and flexible DPC mediums in position.

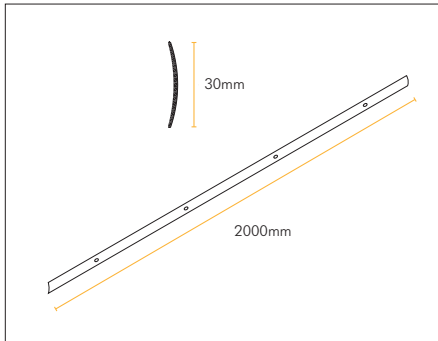
Solution

Where flexible DPCs require support against an inner skin, Type Z Cavistrap may be used to provide uniform retention. Type Z Cavistrap is manufactured from semi-rigid PVCU and profiled to apply consistent pressure to hold all types of flexible DPC to shape.

Cavistrap is slightly arched in profile and supplied with pre-drilled fixing holes. As the strap is secured and the fixings tightened, the strap profile slightly flattens and takes up minor irregularities in the surface under.

How to Order

State number of packs required.



See how Type X Cavistraps can be built-in

Designers' Comments

Consider use wherever Robust Details requires a DPC spanning the cavity to be secured and linked with a vertical vapour control layer. Also to achieve detail depicted within NHBC 6.2 where positive interfacing is required.

Bill of Quantity / Specification Wording

F30 -Clause 385 Preformed DPC / Cavity Tray Junction Cloaks / Stop Ends

Manufacturer: Cavity Trays Ltd, Yeovil Somerset BA22 8HU Tel: 01935 474769

Type Z Cavistrap to be installed to secure flexible DPC's requiring mechanical fixing to adjacent surfaces. Secure carefully strictly observing manufacturers' instructions. Metres run _____.

The 2019 Cavity Tray Wall Planner



A0 in size, this large and useful planner is the perfect addition to your office or workspace.

Available FREE of charge to registered recipients.

Register and secure your copy each year

Notes:
