

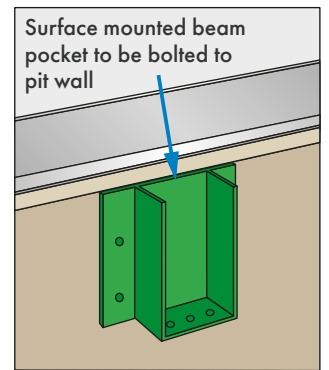
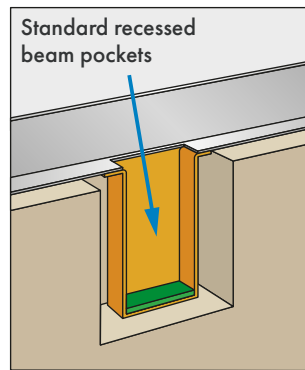


Installation of the Howe Green Multipart Access Cover

» PREPARATION

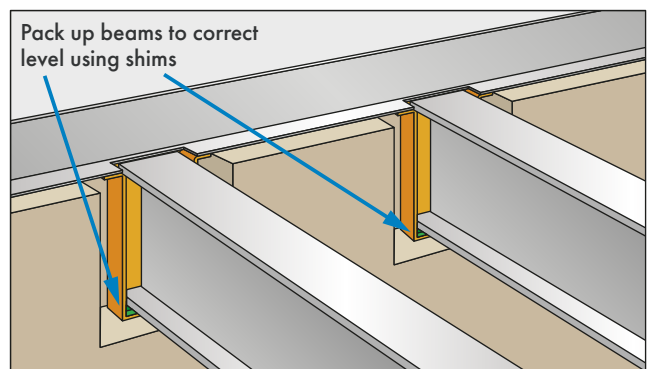
Covers are supplied ready for installation internally without further preparation. In external locations, or those that may be permanently wet, all aluminium surfaces in contact with concrete should receive two coats of bituminous paint.

- 1 The outer frame will be either of one piece construction if size permits or sectional if large. If sectional the frame should be assembled using connectors provided and packing it up to the correct line and level using suitable shims. The standard beam pockets should be screwed into position on the outer frame (if not already fitted), as assembly proceeds and again shimmed to the correct level, so they will accept the weight of the beams temporarily.



- 2 If surface mounted pockets are to be used these should be bolted to the pit wall on the beam centre lines using suitable M16 fixings, the top of the beam pocket should be 5-10mm below the outer frame.
- 3 Fix anchor lugs to the outside edge of the outer frame by crimping with pliers at approx. 600mm centres. If the units are from the stainless steel range there will be some anchor lugs already fitted to the outer edge of the outer frame that require bending to 90° from the frame and then twisting 90° before installation.

- 4 Place the removable beams into position using shims between the levelling plate provided and the base of the beam pocket (for standard recessed pockets), or adjust the beam levelling bolts in the base of the beam pockets to ensure that the top of the beam is flush with the base of the outer frame.



- 5 Now position all of the removable cross members.

» CONTACT US

Marsh Lane, Ware, Hertfordshire, SG12 9QQ, UK

Sales Enquiries: +44(0)1920 463 230

Email: info@howegreen.co.uk

www.howegreen.com

Howe Green is part of the Access 360 division of Tyman UK and Ireland.

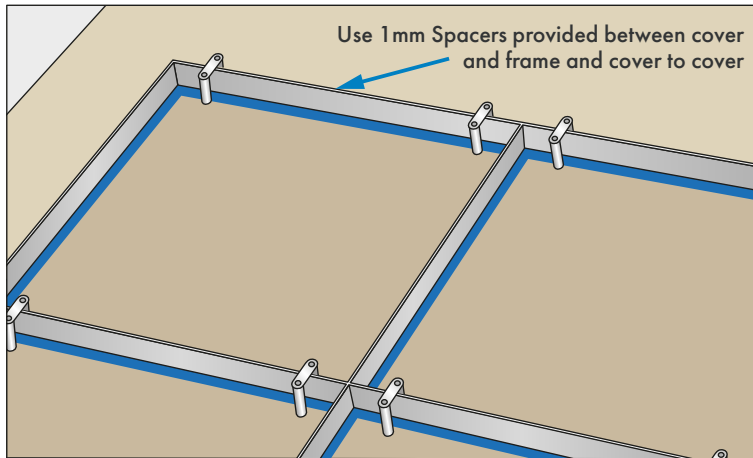
SAFE ACCESS ALL AREAS



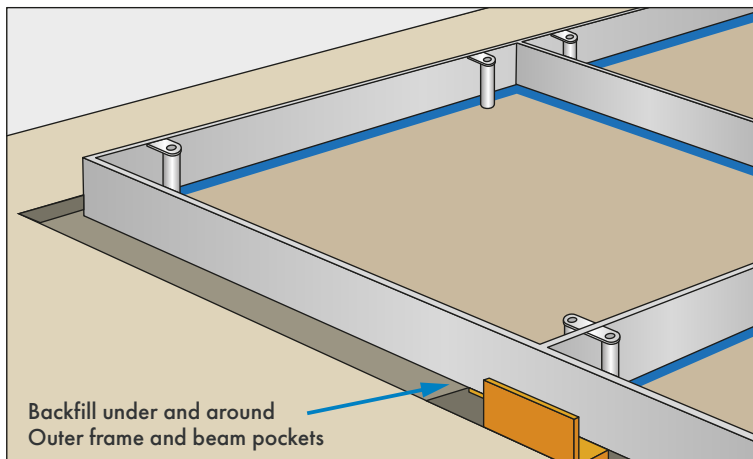


HOWEGREEN

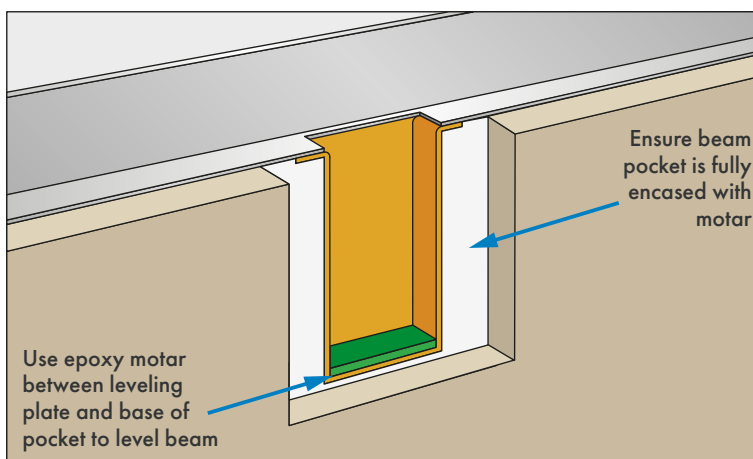
FLOOR ACCESS



6 Next, the covers should be placed into position, the cover securing bolts should be screwed in (finger tight only) and the 1 mm spacers provided should be inserted between the cover and frame at regular intervals to maintain a nominal 1 mm gap between the covers and outer frame.



7 Once the above has been completed satisfactorily then backfill under the outer frame and haunch up around the outside with a suitable mortar. Once this has cured then some of the covers can be removed to allow pointing to be carried out under the outer frame from the pit side. Also ensure that the standard type beam pockets are fully encased in mortar.



8 The gap between the beam levelling plate and the underside of the beam (standard recessed pockets only) should be filled with an epoxy mortar, maintaining the correct level of the beams.

CONTACT US

Marsh Lane, Ware, Hertfordshire, SG12 9QQ, UK

Sales Enquiries: +44(0)1920 463 230

Email: info@howegreen.co.uk

www.howegreen.com

Howe Green is part of the Access 360 division of Tyman UK and Ireland.

SAFE ACCESS ALL AREAS



InstallGuide-multipart-RevB-Oct21



HOWEGREEN

FLOOR ACCESS

- 9 Now replace all the covers removed, again screwing in the cover securing bolts (finger tight only) and using the 1 mm spacers provided at regular intervals to maintain a nominal 1 mm gap between covers and between the covers and outer frame.
- 10 Now the covers should be filled and the floor finish to the outside of the outer frame completed (Note that the design loading and if applicable, fire resistance can only be achieved if the infill is equivalent to the 28 day cube strength of OPC concrete of 40 MPa).
- 11 When properly cured the covers should be removed, and cleaned taking care not to damage any seals, the joint between the beams/cross members, and outer frame should be sealed with mastic.

» LIFTING/MAINTENANCE PROCEDURES

- 1 Remove all bolts from the lifting points using key provided.
- 2 Screw in by at least 12mm a lifting key into each lifting point. A lifting device should be used where the weight to be lifted exceeds the Manual Handling Operations Regulations 1992.
- 3 Lift out cover without dragging across outer frame to avoid damage.
- 4 Clean thoroughly both the seating and cover checking the condition of the double base seal and intumescent seal if fitted, also checking the top edge dirt seal.
- 5 Replace cover carefully and insert all securing/plug bolts taking care not to over tighten.

Should any of the seals or bolts be damaged or missing they are available for replacement

These details are intended as a general guide to correct installation but site practice may be varied to suit the design of the tile grid, the type of wall construction etc.

If required, further advice is available from the Howe Green Technical Department

» CONTACT US

Marsh Lane, Ware, Hertfordshire, SG12 9QQ, UK

Sales Enquiries: +44(0)1920 463 230

Email: info@howegreen.co.uk

www.howegreen.com

Howe Green is part of the Access 360 division of Tyman UK and Ireland.

SAFE ACCESS ALL AREAS



InstallGuide-multipart-RevB-Oct21