



CARS & LIGHT VEHICLES

STAINLESS STEEL
For hard finishes

FACTA B

7500 Series FLOOR ACCESS COVERS



For all bespoke requirements, our technical team will assist you to determine the correct specification and dimensions for your project.

+44(0)1920 463 230

info@howegreen.co.uk

Non-fire rated, stainless steel floor access covers for hard finishes, providing easy access to underfloor building services

» FEATURES & BENEFITS

- Covers can be fitted quickly and unobtrusively into all types of hard floor finish: ceramic tiles, marble, terrazzo, resin or parquet
- Medium duty access cover, up to 5 tonne pneumatic tyre wheel load, FACTA B (cars and light delivery vehicles)
- Cover sections are tapered for easy removal, and are precision-made to avoid distortion
- Covers are double sealed providing the highest levels of hygiene and security
- Lifting blocks are anchored to the inner frame
- Stainless steel securing bolts are stiletto heel proof
- Suitable for supermarkets, shopping centres, sport and athletic centres, or heavily trafficked paved areas like railway stations or airports
- Where large covers are necessary over pits containing plant, the main covers can be fitted with small inset covers to allow easy access for routine maintenance

» 7500 SERIES STAINLESS STEEL FLOOR ACCESS COVERS

Size

- Precision made to measure using the Howe Green patented system to avoid distortion
- Manufactured in any size between the stated maximum and minimum dimensions
- Available as a single cover, ducts with branches or multi -part configuration
- Manufactured in the UK to BS EN ISO 9001

Weight

- A 7500 series floor access cover weighs approx 155kg/m² when filled with concrete
- The weight of the access cover should be taken into account where ease of handling is an important consideration
- In all cases reference should be made to the Manual Handling Operations regulations 1992, which implement European Directive 90/269/EEC
- Howe Green's Cover Skate provides a safe and easy method of lifting and moving heavy floor access covers



SAFE ACCESS ALL AREAS

7500 Series STAINLESS STEEL SINGLE COVER

» FLOOR ACCESS COVERS FOR CARS AND LIGHT DELIVERY VEHICLES

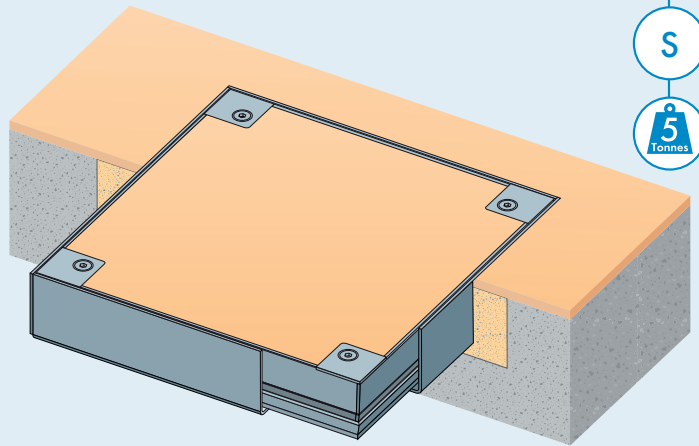
Typical floor finishes

- Ceramic tiles, marble, terrazzo, concrete, resin, wood and all hard floors

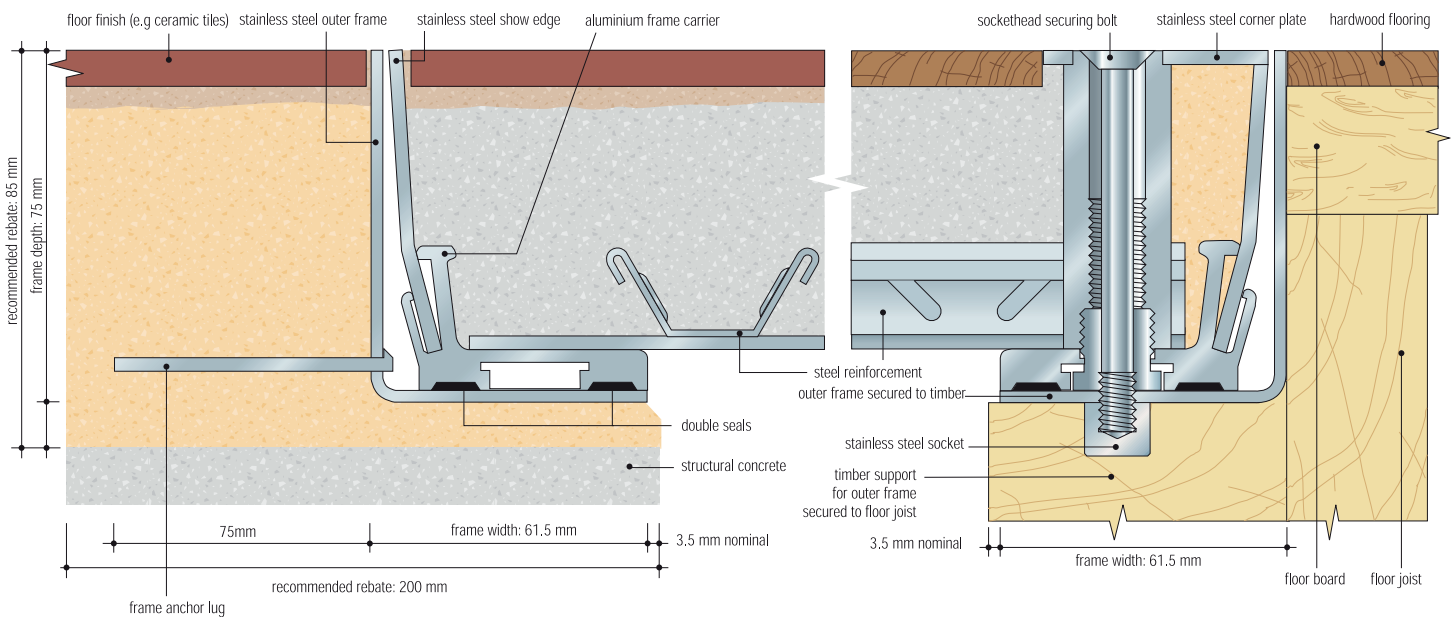
Performance

- Medium duty up to 5 tonne pneumatic tyre wheel load, FACTA B (cars and light delivery vehicles)

More information can be found at www.howegreen.com



Cross section showing concrete and timber sub-floors (scale 1:2)



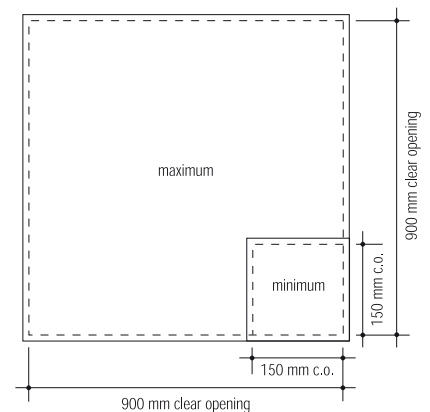
Size

- Overall frame size = clear opening + 130 mm
e.g. 600 x 900 mm clear opening = 730 x 1030 mm overall frame.
Subject to correct infill/installation (see separate guide).
See also general notes on page 1.

Weight

- A 7500 series cover when filled with concrete weighs approx. 155kg/m²
See also general notes on page 1.

Maximum / minimum sizes



7500 Series STAINLESS STEEL DUCT COVER

» FLOOR ACCESS COVERS FOR CARS AND LIGHT DELIVERY VEHICLES

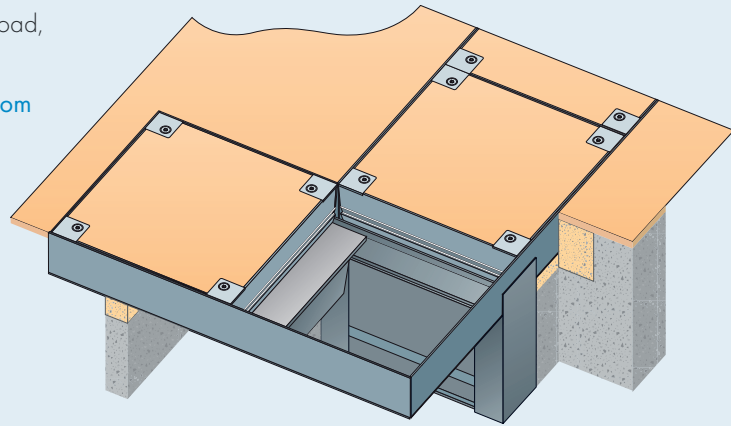
Typical floor finishes

- Ceramic tiles, marble, terrazzo, concrete, resin, wood and all hard floors

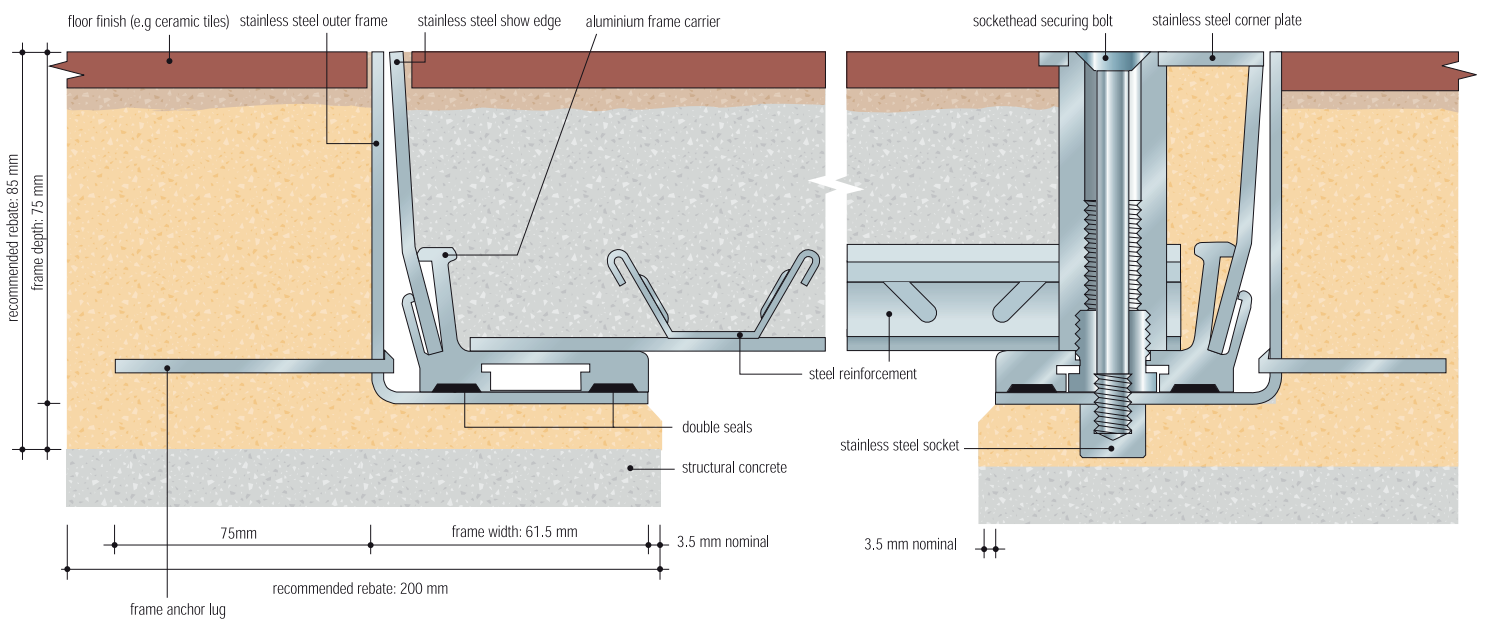
Performance

- Medium duty up to 5 tonne pneumatic tyre wheel load, FACTA B (cars and light delivery vehicles)

More information can be found at www.howegreen.com



Cross section showing anchor lugs and locking/lifting detail (scale 1:2)



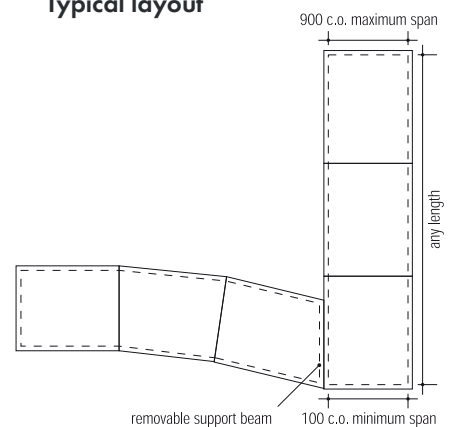
Size

- Overall frame size = clear opening + 130 mm
e.g. 550 mm clear opening = 680 mm overall frame width.
Subject to correct infill/installation (see separate guide).
See also general notes on page 1.

Weight

- A 7500 series cover when filled with concrete weighs approx. 155kg/m²
See also general notes on page 1.

Typical layout



7500 Series STAINLESS STEEL MULTIPART COVER

» FLOOR ACCESS COVERS FOR CARS AND LIGHT DELIVERY VEHICLES

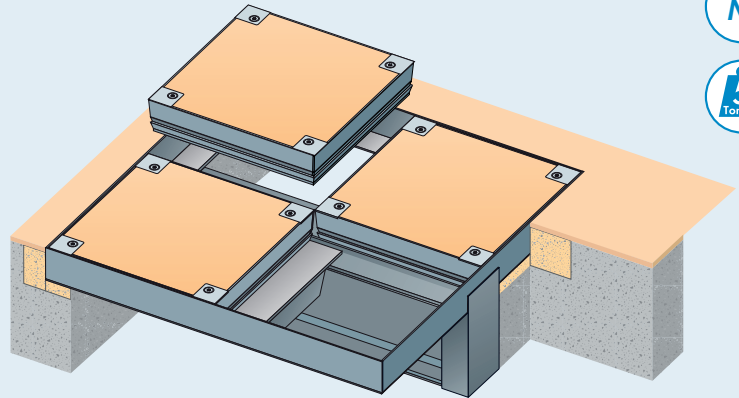
Typical floor finishes

- Ceramic tiles, marble, terrazzo, concrete, resin, wood and all hard floors

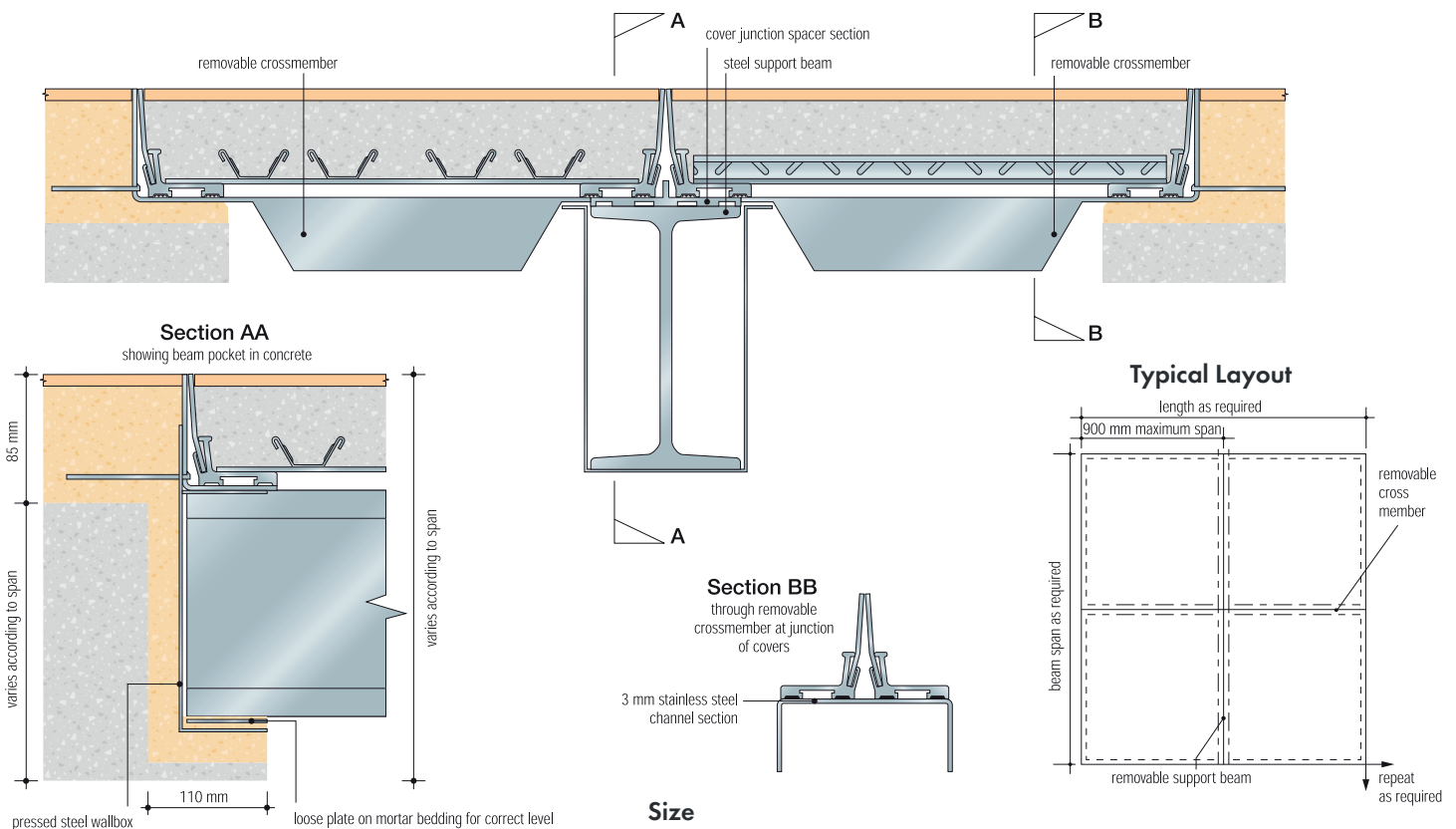
Performance

- Medium duty up to 5 tonne pneumatic tyre wheel load, FACTA B (cars and light delivery vehicles)

More information can be found at www.howegreen.com



Cross section showing removable support beam and cross members (scale 1:5)



Weight

- A 7500 series cover when filled with concrete weighs approx. 155kg/m²

Size

Because of the potentially complex design of multipart layouts Howe Green recommend early consultation with their Technical Department to achieve the optimum and most economical layout for the given installation.

See also general notes on page 1.

» CONTACT US

Sales Enquiries

+44(0)1920 463 230 info@howegreen.co.uk www.howegreen.com

Innovation drive, Wolverhampton, West Midlands, WV9 5GA, UK

