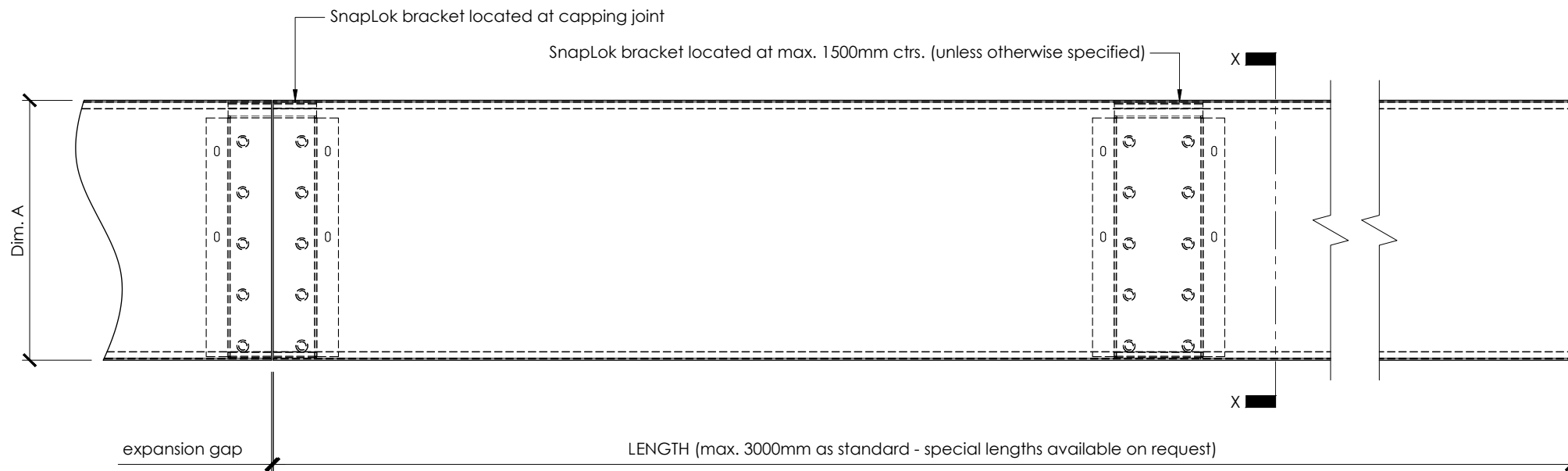
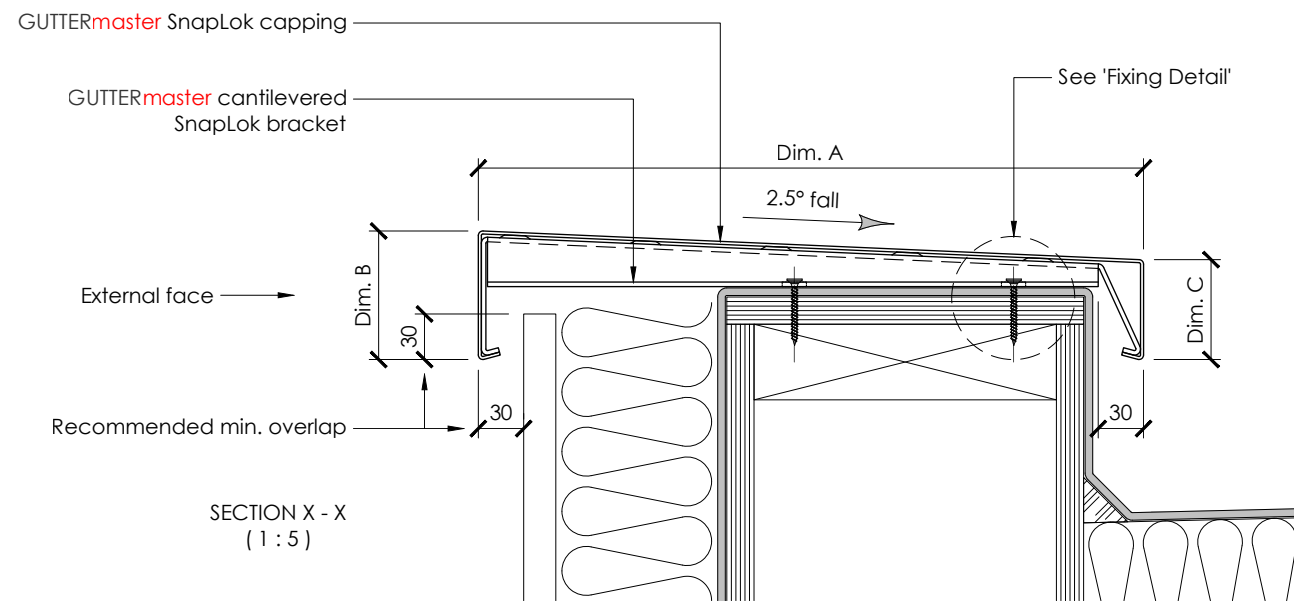
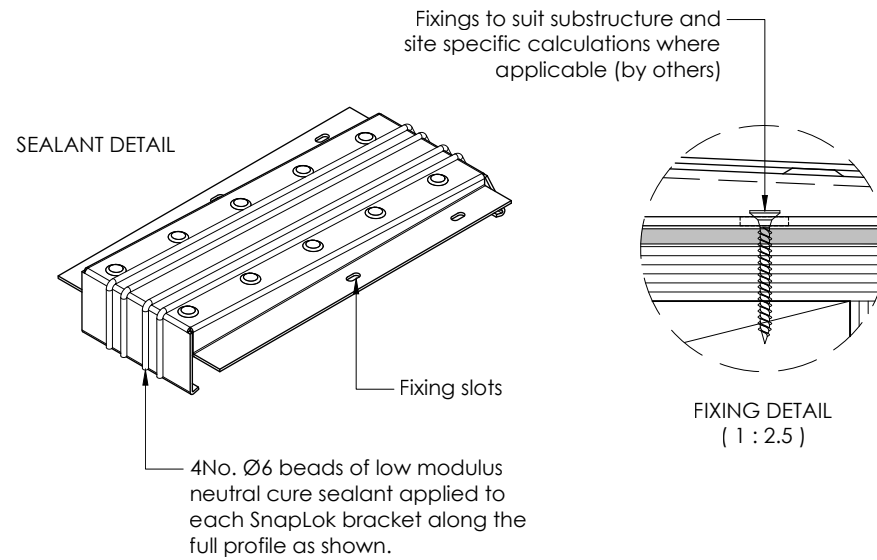


SNAPLOK DETAIL AT CAPPING JOINT LOCATION
ISOMETRIC VIEW



SNAPLOK COMPONENT DETAIL - VIEW ON PLAN
(1 : 10)

General Notes:

All dimension must be checked on site and any discrepancies reported to Guttermaster Ltd. prior to commencement of site work.

Do not scale from this drawing - use figured dimensions only.

This drawing remains the property of Guttermaster Ltd. and must not be copied or disclosed to a third party without prior consent.

If in doubt ask!

Assembly Recommendations:

P.V.C. isolating tape to be placed between dissimilar metal surfaces.

Use austenitic stainless steel fasteners with low profile heads where dissimilar metals are present.

Pre-drill holes for fixings. 1mm clearance around fixing to allow for expansion and thus prevent profile distortion.

Allow 1mm per metre expansion gap between profile lengths (e.g. 3mm gap between 3000mm profile lengths).

Apply low-modulus silicone sealant between union and profile.

For project specific requirements please contact Guttermaster Ltd.

REVISION HISTORY			
Rev	Description	Date	Approved
-	-	-	-

GUTTERmaster

ALUMINIUM IN CONSTRUCTION

Shawclough Trading Estate,
Shawclough Road,
Rochdale,
Lancashire,
OL12 6ND

Tel: 01706 751550
Fax: 01706 869551

e-mail: sales@guttermaster.co.uk
web: www.guttermaster.co.uk

Client: -

Project: -

Title: TYPICAL SNAPLOK CAPPING DETAIL - CANTILEVERED BRACKET

Drawing Status: **ISSUE FOR INFORMATION**

Drawn by: -	Checked by: -	Date: 05-07-2017	Approved by: -	Date: -
Sheet size: A3	Scale: as shown	Sheet No. (of sheets): 1 (of 1)	Drawing No: SL-04-001	Revision: -