

# GUTTERmaster

ALUMINIUM IN CONSTRUCTION

Shawclough Trading Estate,  
Shawclough Road,  
Rochdale,  
Lancashire.  
OL12 6ND

Tel: 01706 869550  
Fax: 01706 869551

e-mail: technical@guttermaster  
web: www.guttermaster.co.uk

## PARTS LIST

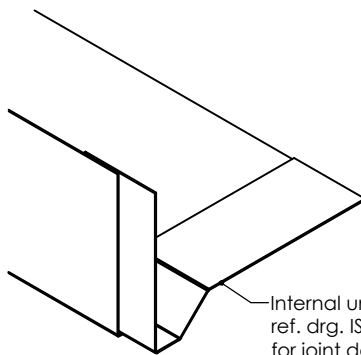
QTY	LENGTH	PART NUMBER	DESCRIPTION	MATERIAL	COLOUR & FINISH
	3000 mm	TF-X3	TrimFix X3 Fascia (with 45 deg. drip edge return)	2.0mm Aluminum	RAL/BS
	100 mm	TF-X3(45)-U	TrimFix X3(45) Internal Union	2.0mm Aluminum	RAL/BS

## COMPONENT DETAILS

Dimension Description	Reference	Range (mm)	Dimension
<b>Fascia height</b>	<b>Dim. A</b>	<b>25 - 1000</b>	
<b>Soffit depth</b>	<b>Dim. B</b>	<b>65 - 1000</b>	
<b>Drip Edge Length</b>	<b>Dim. C</b>	<b>25 - 1000</b>	
<b>Drip Edge Depth</b>	<b>Dim. D</b>	<b>25 - 1000</b>	
<b>Offset distance to vent P1 (optional)</b>	<b>Dim. Vp1</b>	<b>min. 5mm</b>	
<b>Offset distance to vent P2 (optional)</b>	<b>Dim. Vp2</b>	<b>min. 5mm</b>	

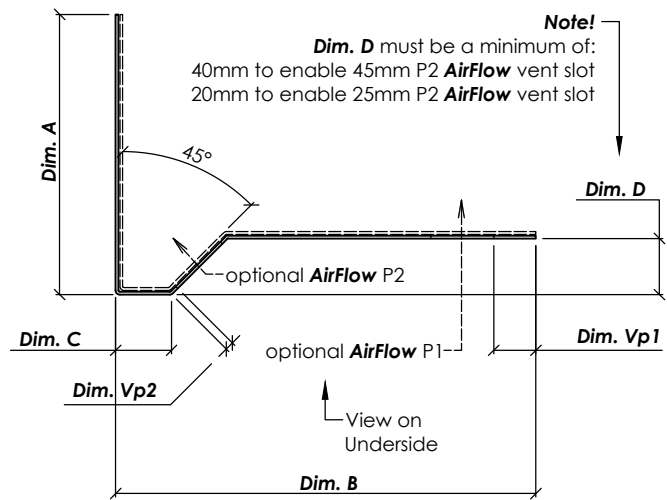
## MATERIAL THICKNESS GUIDE

Guage	Dimension (mm)
1.5mm	25 - 239
2.0mm	240 - 539
2.5mm	540 - 689
3.0mm	690 - 939



Internal union  
ref. drg. IS-LBS2  
for joint detail  
(other jointing  
methods are available)

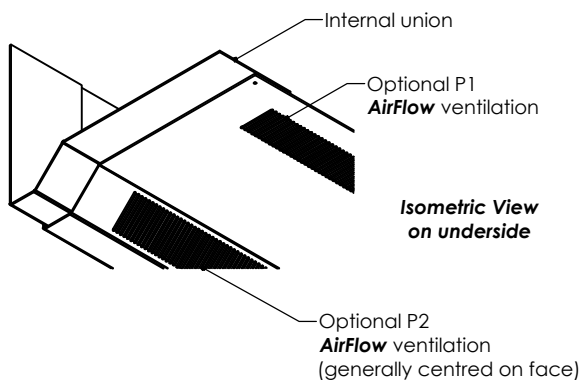
**Isometric View**  
(un-vented profile shown)



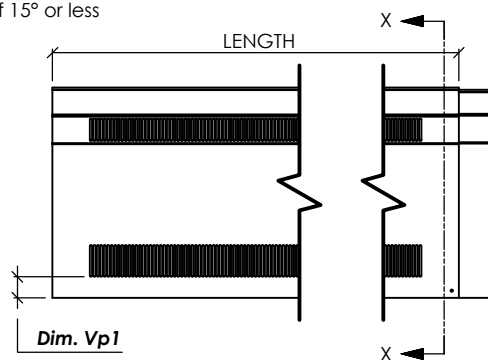
**Profile Section X-X**  
(1 : 5)

## Optional AirFlow Ventilation

10000mmsq/m continuous ventilation use 25x3mm slot for roof pitches over 15°  
25000mmsq/m continuous ventilation use 45x3mm slot for roof pitches of 15° or less



**Isometric View**  
on underside



**View on Underside**  
(1 : 10)

Client:					
Project: STANDARD FASCIA PROFILES					
Title: TRIMFIX X3 FASCIA PROFILE DETAIL (45 DEG. DRIP EDGE RETURN)					
Drawing Status: <b>ISSUE FOR INFORMATION</b>					
Drawn by:	Checked by:	Date:	Approved by:	Date:	
A.S.	A.S.	21/09/2011			
Sheet size:	Scale:	Sheet No. (of sheets):	Drawing No:	Revision:	
A4	as shown	1 (of 1)	0001-TF(45)-X3		