

5000 Series FLOOR ACCESS COVERS



For all bespoke requirements, our technical team will assist you to determine the correct specification and dimensions for your project.

+44(0)1920 463 230

info@howegreen.co.uk

Stainless Steel, recessed floor access covers for hard finishes, available as single, duct or multipart

» FEATURES

- Covers can be fitted quickly and unobtrusively into all types of hard floor finish: ceramic tiles, marble, terrazzo, resin or parquet
- Cover sections are tapered for easy removal, and are precision-made to avoid distortion
- Double seals are available
- Lifting blocks are anchored to the inner frame. Stainless steel securing bolts are stiletto heel proof
- Provides easy access to underfloor services using lifting keys or Cover Skate
- Manufactured in the UK
- Quality control to BS EN ISO 9001:2015

» 5000 SERIES FLOOR ACCESS COVERS

Size

- Made to measure using the Howe Green patented system
- Manufactured in any size between the stated maximum and minimum dimensions
- Any configuration of ducts and branches can be created

Weight

- The weight of the access cover should be taken into account where ease of handling is an important consideration
- In all cases reference should be made to the Manual Handling Operations regulations 1992, which implement European Directive 90/269/EEC
- If loads are excessive, consideration should be given to the use of hydraulic lifters or our **HSE 75 range**

Where large covers are necessary, for example over pits containing plant, the main covers can be fitted with small inset covers to allow easy access for routine maintenance. The main covers need then only be removed for major overhauls or plant replacement.



SAFE ACCESS ALL AREAS

5000 Series STAINLESS STEEL SINGLE COVER

SS

S



► FLOOR ACCESS COVERS FOR PEDESTRIAN TRAFFIC

Typical floor finishes

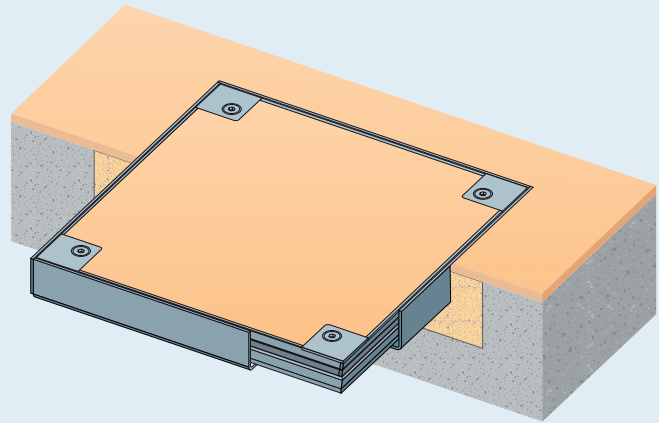
- Ceramic tiles, marble, terrazzo, concrete, resin, wood and all hard floors

Performance

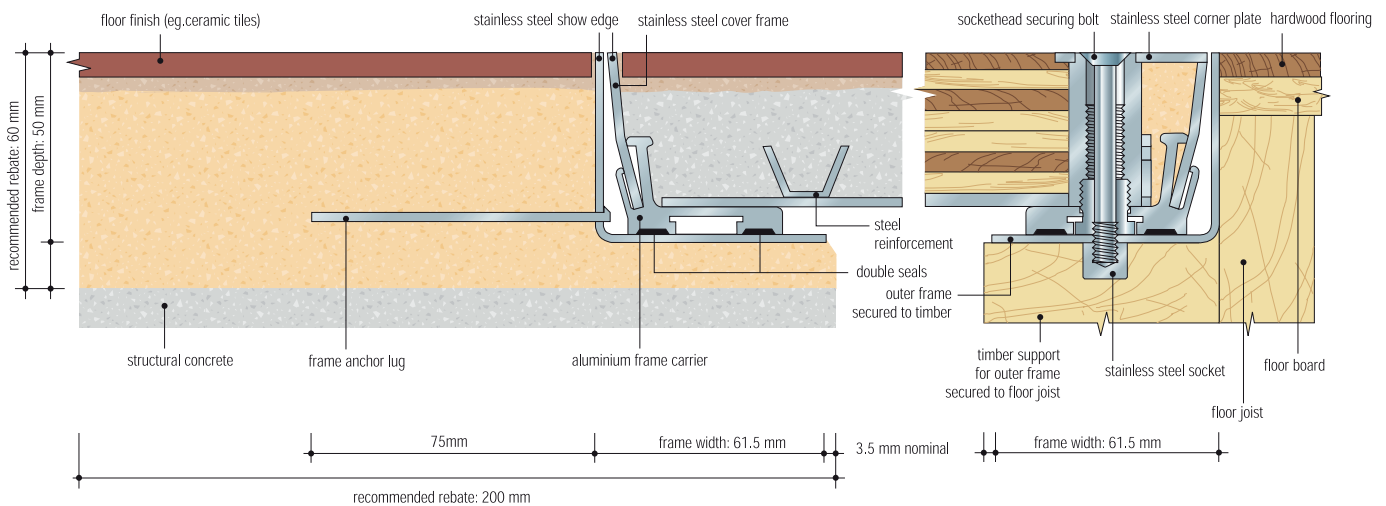
- Interior and exterior solid floors
- Pedestrian traffic (including wheeled trolleys, sack trucks etc.) only
- Performance is subject to correct infill and installation
- More information can be found at www.howegreen.com

Options

- Double seal or top edge seal
- Stainless steel or steel baseplate and reinforcement



Cross section showing concrete and timber sub-floors (scale 1:2)



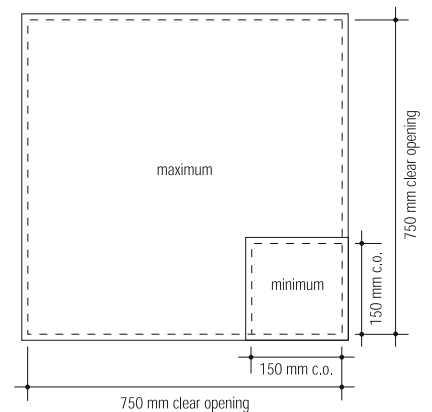
Size

- Overall frame size – clear opening + 130 mm
- Clear opening:
Single: 150 min – 750 mm max,
Duct: 100 min – 600 mm max,
for multipart please contact us.
- Frame depth 50 mm
- Lifting points : Corner as standard

Weight

- A 5000 series stainless steel cover when filled with concrete weighs approximately 90kg/m²

Maximum / minimum sizes



5000 Series STAINLESS STEEL DUCT COVER

SS

D



► FLOOR ACCESS COVERS FOR PEDESTRIAN TRAFFIC

Typical floor finishes

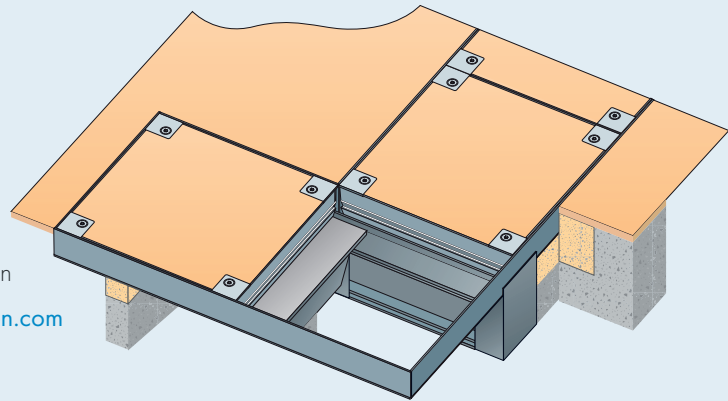
- Ceramic tiles, marble, terrazzo, concrete, resin, wood and all hard floors

Performance

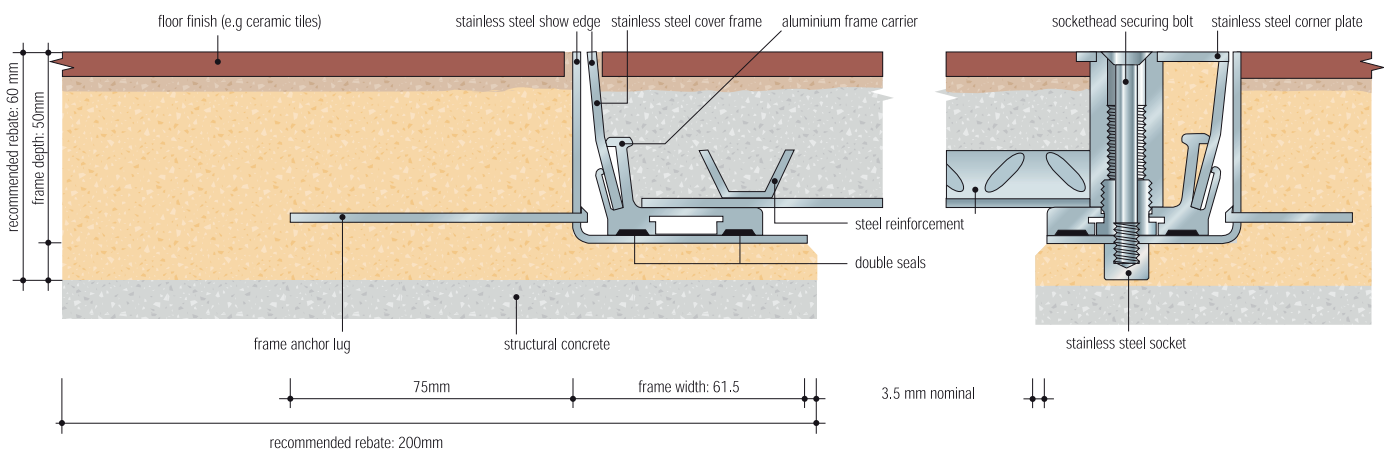
- Interior and exterior solid floors
- Pedestrian traffic (including wheeled trolleys, sack trucks etc.) only
- Performance is subject to correct infill and installation
- More information can be found at www.howegreen.com

Options

- Double seal or top edge seal
- Stainless steel or steel baseplate and reinforcement



Cross section showing anchor lugs and locking/lifting detail (scale 1:2)



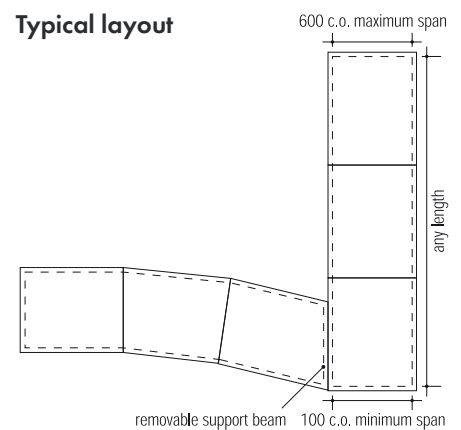
Size

- Overall frame size – clear opening + 130 mm
- Clear opening:
Single: 150 min – 750 mm max,
Duct: 100 min – 600 mm max,
for multipart please contact us
- Frame depth 50 mm
- Lifting points : Corner as standard

Weight

- A 5000 series stainless steel cover when filled with concrete weighs approximately 90kg/m²

Typical layout



5000 Series STAINLESS STEEL MULTIPART COVER



► FLOOR ACCESS COVERS FOR PEDESTRIAN TRAFFIC

Typical floor finishes

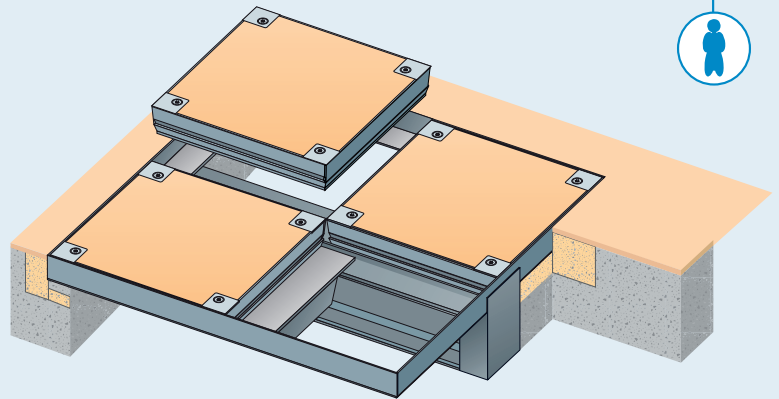
- Ceramic tiles, marble, terrazzo, concrete, resin, wood and all hard floors

Performance

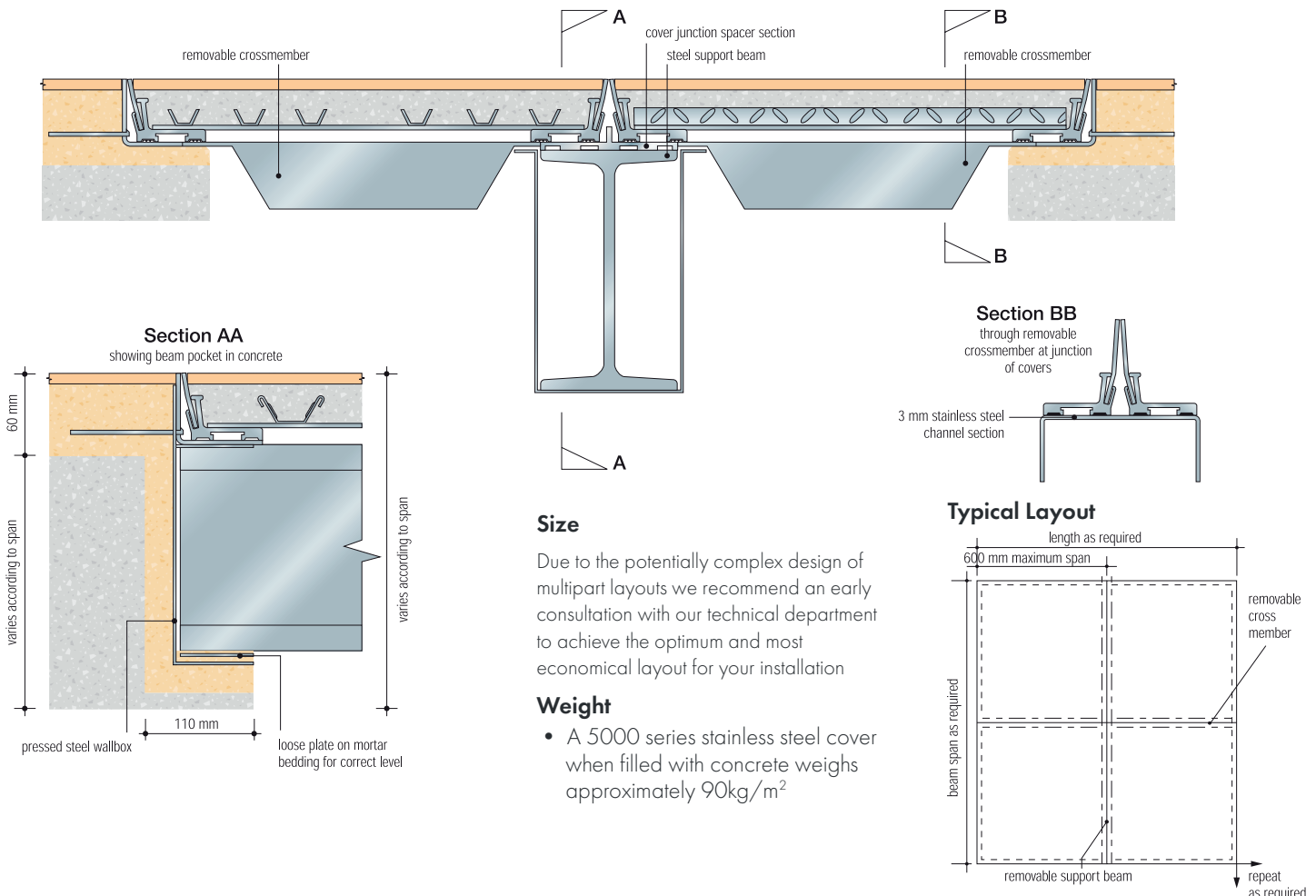
- Interior and exterior solid floors
- Pedestrian traffic (including wheeled trolleys, sack trucks etc.) only
- Performance is subject to correct infill and installation
- More information can be found at www.howegreen.com

Options

- Double seal or top edge seal
- Stainless steel or steel baseplate and reinforcement



Cross section showing removable support beam and cross members (scale 1:5)



Size

Due to the potentially complex design of multipart layouts we recommend an early consultation with our technical department to achieve the optimum and most economical layout for your installation

Weight

- A 5000 series stainless steel cover when filled with concrete weighs approximately 90kg/m²

► CONTACT US

Sales Enquiries

+44(0)1920 463 230 info@howegreen.co.uk www.howegreen.com

Innovation drive, Wolverhampton, West Midlands, WV9 5GA, UK

