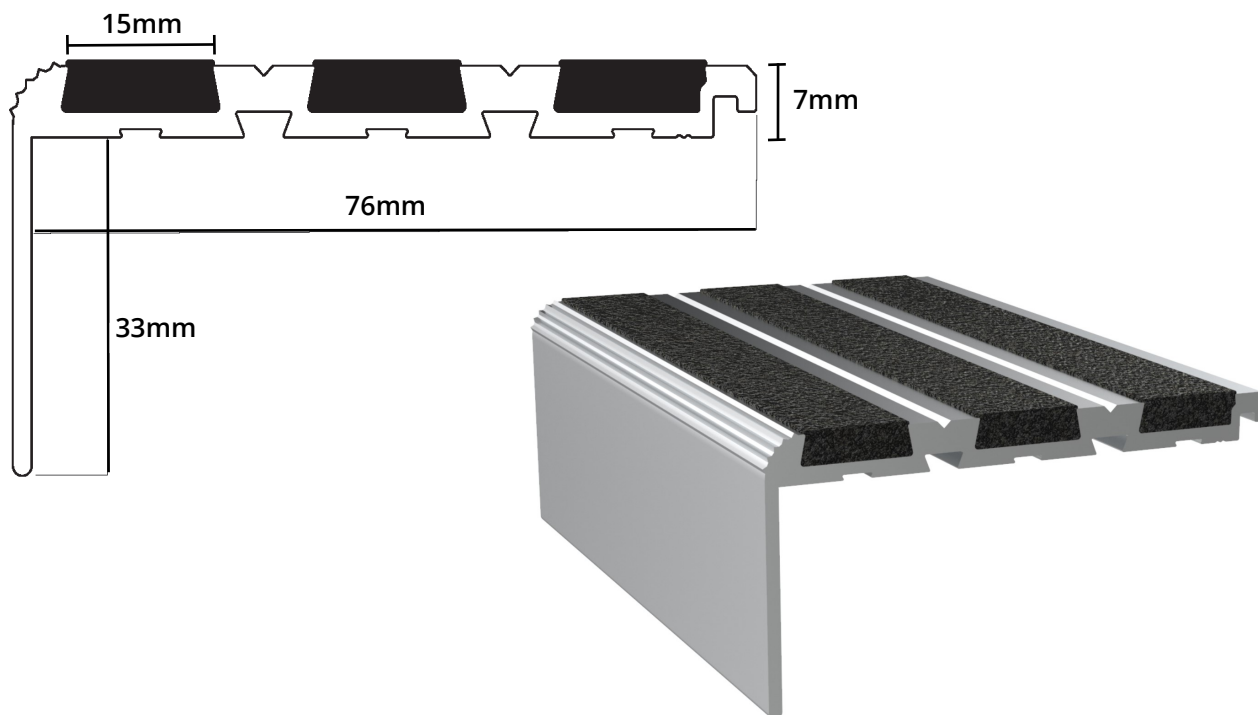


Product Data Sheet- QA3 with Carbigrip infill



General Description:

QA3 Comprises of a high tensile strength aluminium extrusion, with our unique Carbigrip carborundum infill, which is made up of a resin bound mixture of abrasive grits. QA3 can be fitted to any sound substrate and is suitable for both internal and external applications. QA3 is part of our modular nosing range and can be combined with our other profiles to create a simple nosing or a full tread cover.

Colours:

Nosing Profile; available in Brushed aluminium (Average LRV 71.65)

Carbigrip insert; Yellow (LRV 47.07), Black (LRV 4.76), White (LRV 58.45), Dark Grey, Light Grey, Dark Brown, Light Brown, and Others on request.

Suitable for use:

- ◆ On all stairs/landings substrates
- ◆ For internal and external applications
- ◆ On heavily trafficked steps and stairs
- ◆ In all environments - dry, wet, greasy
- ◆ In all pedestrian areas including shopping centres, railway stations, car parks
- ◆ In specialist work areas including food processing, water treatment plants
- ◆ In military bases, prisons, police stations

Principal features/benefits of use:

- ◆ Can be affixed to all sound surfaces
- ◆ Highly durable
- ◆ Highly slip resistant
- ◆ High definition
- ◆ Variety of infilling colours
- ◆ Low maintenance
- ◆ Easily fixed
- ◆ can be supplied pre-drilled with fixings

Product Data Sheet– QA3 with Carbigrip infill

Aluminium profile:

Brushed extruded aluminium alloy (6063) hardened to T6

Maximum single length:

2500mm

Tread Inserts:

Carbigrip - a composite of various grits, including Aluminium Oxide, set in cured epoxy.

Compatible Profiles:

QA3 can be combined with our QA4 and/or our QA5 nosing profiles to create a nosing or tread cover to meet your requirements, contact us for more details and for help choosing your configuration.

Slip Resistance:

Slip Resistance Data: - Assessed against UK Slip Resistance Group guidelines for the potential of slipping for people on a flooring material Tested using the Pendulum /4S method - Result: Extremely low potential for slip in dry and wet conditions

Average surface roughness (Rz values) = 86-90 um (minimum recommended by H&SE = 10 um)

Standard Supply:

Manufactured to bespoke lengths. Pre-drilled and countersunk fixing if requested. Fixings can be supplied on request.

Maintenance:

To ensure effective slip-resistance and optimum step edge definition is maintained, remove accumulative dirt and grease from the walking surface at regular intervals. Cleaning should be by gentle scrubbing with a solution of proprietary floor detergent and warm water. The aluminium may be buffed using a fine grade steel work.

Installation:

The application surface must be reasonably sound and level prior to installation. Stainless fixings are recommended for fixing QA3 in all applications. In addition, a bedding mastic/adhesive is recommended to remove any potential for rattle. Where screw fixing is not possible adhesive only fixing is possible. Prepare the adhesive as instructed by the manufacturer, then coat the back of the tread/ nosing and position on to the step. Apply even weights along the piece and leave undisturbed until the adhesive has fully cured

Warranty:

QA3 is warrantied against premature wear for a period of 10 years, subject to terms and conditions. please ask to see our full performance warranty information.

The information contained on this data sheet is current at the time of printing. Due to continuing development in machinery and materials, we reserve the right to modify the formulation without notice. The above information is given as a guide to the uses of multitread it is the responsibility of the user to ensure the suitability for specific applications. All recommendations statements and technical data contained herein are based on tests we believe to be accurate and reliable, but accuracy and completeness of such tests are not guaranteed and are not to be construed as a warranty, either express or implied. The user shall rely on their own information and tests in determining suitability of the product for the intended use and assumes all risks and liability from their use of the product. Sellers and manufacturers sole responsibility shall be to replace that portion of this manufacture which proves to be defective. Neither seller nor manufacturer shall be liable to the buyer or any third party for any injury, loss or damage directly or indirectly resulting from the use of the product. Recommendations or statements other than contained in a written agreement signed by an officer of the manufacturer shall not be binding upon the manufacturer or seller.