

zehnder

always the
best climate

Zehnder Nobis

Product data sheet



Zehnder Nobis and its high quality chrome finished tubes bring a special look to every bathroom. The large spacing between the tubes combines distinctive character with functionality. Several towels can be heated at the same time.

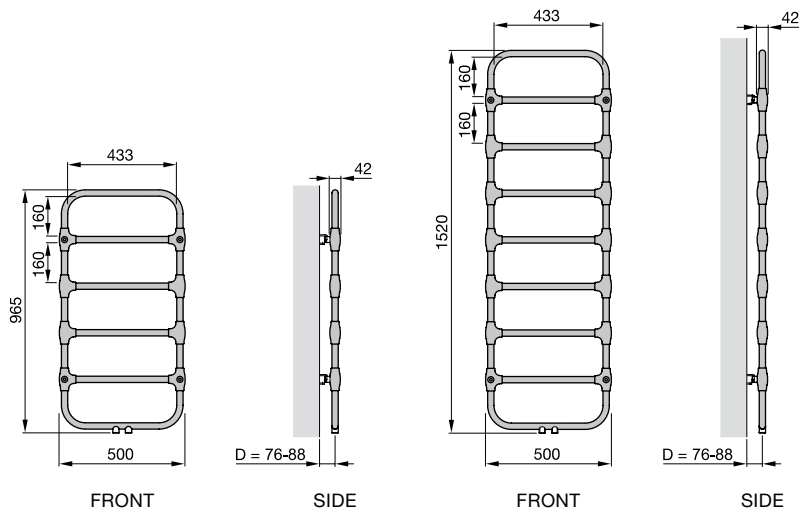
Benefits

- Distinctive design ideally blends with classic bathrooms
- Elegant design in high-quality chrome
- Ample spaces between tubes are convenient for hanging towels

Special benefits for electric operation

- Energy-efficient and comfortable heating with innovative “open window detection”
- Maximum surface temperature of 65 °C ensures increased safety (chrome-plated version)

Model overview



D = distance from wall to middle of connection

Dimensions in mm

Connection to hot water central heating and open heating system

Chrome-plated version

Model	H mm	L mm	Thermal output			
			75/65/20 °C ¹⁾ Watt	70/55/24 °C Watt	55/45/24 °C Watt	55/45/20 °C Watt
NOB-100-050	965	500	185	132	80	96.2
NOB-150-050	1520	500	288	205	123	148

H = height, L = length

1) Nominal heat output according to EN 442

Zehnder Nobis

V20210531, RAD_DAS, UK_en, subject to change without notice

