

E.A.COMBS LIMITED

TIMING SOLUTIONS

Power over Ethernet Clock Model no. 6020/6025 12"/300mm or 15"/400mm Moulded Case Options

FEATURES

- 3 Year Warranty
- Supports up to 10 SNTP servers for redundancy
- Supports DHCP or static IP addressing
- Easy initial mounting and setup
- Support for any time zone
- Supports Daylight Saving Time
- Impact-resistant White plastic case
- Shatter-resistant polycarbonate crystal

CERTIFICATIONS

- Electromagnetic Emissions
 - EN 55032:2012/AC:2013 Class B
 - FCC 15.107:2018 Class B
 - FCC 15.109:2018 Class B
 - ICES-003:2016 Class B
- Electromagnetic Immunity
 - EN 55024:2010
- Safety CB

DESCRIPTION

Power over Ethernet (PoE) is a recognized standard (IEEE802.3af) for delivering power over an Ethernet cable. PoE uses a single CAT5 or higher Ethernet patch cable to provide both power and synchronization signals, which saves on installation costs and maintenance. It is recommended that an un-interruptible Power Supply (UPS) be part of the Ethernet network system to maintain clock function during a power outage.

PoE clocks with the buzzer option have a decibel rating of 65 dBA at 10 feet. Events are scheduled and managed with Network Clock Connect, which can be downloaded at <http://www.atsclock.com/support/poe-clocks.cfm>. The maximum number of scheduled events is 100.

ORDERING INFORMATION

| Part # | Part # | Description |
|----------------------|----------------------|---------------------------------------|
| Analog Option | Buzzer Option | |
| 6020 | 6020B | 12" round, surface mount |
| PE93BAPD204 | PE93BAPD204B | 12" round, double dial, wall mount |
| PE92BAPD204 | PE92BAPD204B | 12" round, double dial, ceiling mount |
| 6025 | 6025B | 15" round, surface mount |
| PE63BAPD204 | PE63BAPD204B | 15" round, double dial, wall mount |
| PE62BAPD204 | PE62BAPD204B | 15" round, double dial, ceiling mount |

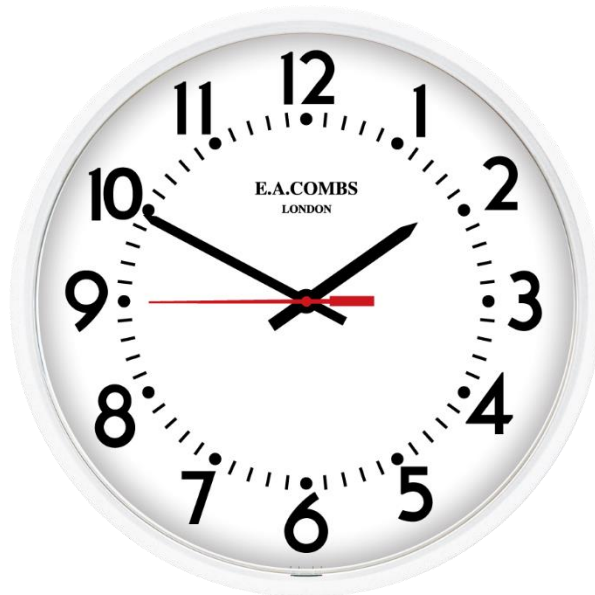
Accessories

| | |
|--------------|---|
| H004167B-POE | USB Drive with Network Clock Connect Software |
| H001141 | Security bracket for 12" surface clocks |
| H003699 | Security bracket for 15" surface clocks |

Note: Personalize dial option available. Add L to the end of the part number. Contact us for details.

Note: PoE clocks are factory set to your time zone. Please specify when placing an order.

E A Combs Limited
Quantum House
London
E18 1BX
sales@ecombs.com
www.ecombs.com



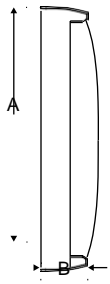
SPECIFICATIONS

Power Consumption: PoE, IEEE802.3af compliant, 1W, 48v
 Operating Temperature: 32°F to 104°F (0°C to 40°C)
 Operating Humidity:..... 95% maximum, non-condensing
 Accuracy: ±1 second

BUZZER OPTION SPECIFICATIONS

Dry Contacts:..... NO contacts with 2A 30vdc/0.5A 120vac rating and active closure time of 1-59 seconds
 Sound Level:..... 65dBA at 10ft

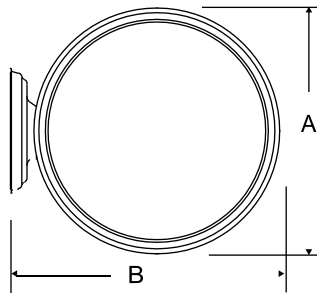
Surface mount plastic



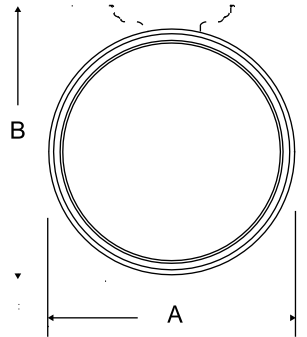
OUTSIDE DIMENSIONS

| SURFACE SIZE | A | B | C |
|--------------|------|------|-----|
| 12" | 13¼" | 2½" | NA |
| 15" | 16" | 2½" | NA |
| DOUBLE DIAL | | | |
| 12" | 13¼" | 15" | 8⅝" |
| 15" | 16" | 19¼" | 8⅝" |

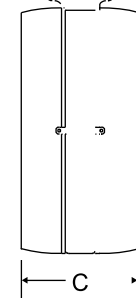
Wall mount plastic double dial



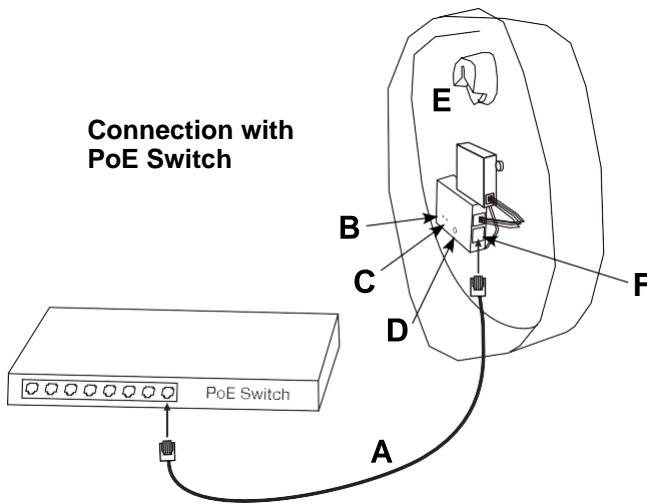
Ceiling mount plastic double dial



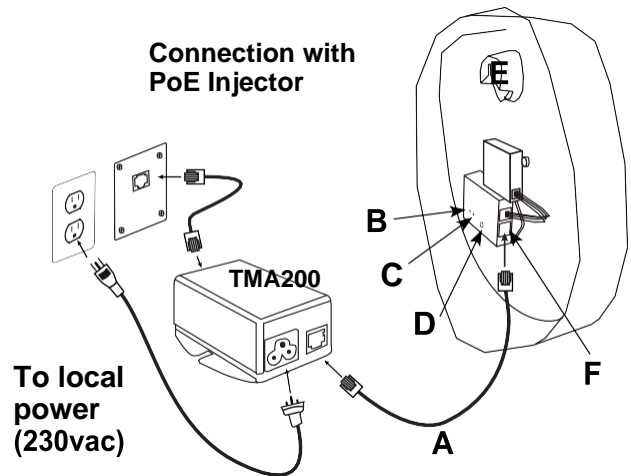
Plastic double dial profile



Connection with PoE Switch



Connection with PoE Injector



A=PoE connection (CAT 5 or higher Ethernet patch cable--included) B=Status LED C=Relay LED D=Default Button
 E=Keyhole Hanger F=PoE Receiver

At EA Combs Limited we continually strive to improve our products to meet our customers' needs and to provide the best possible value. The above specifications are believed to be correct, are subject to change without notice and may otherwise vary from the above. Please call if you need verification of any specifications or the suitability of a particular product for a particular application.