

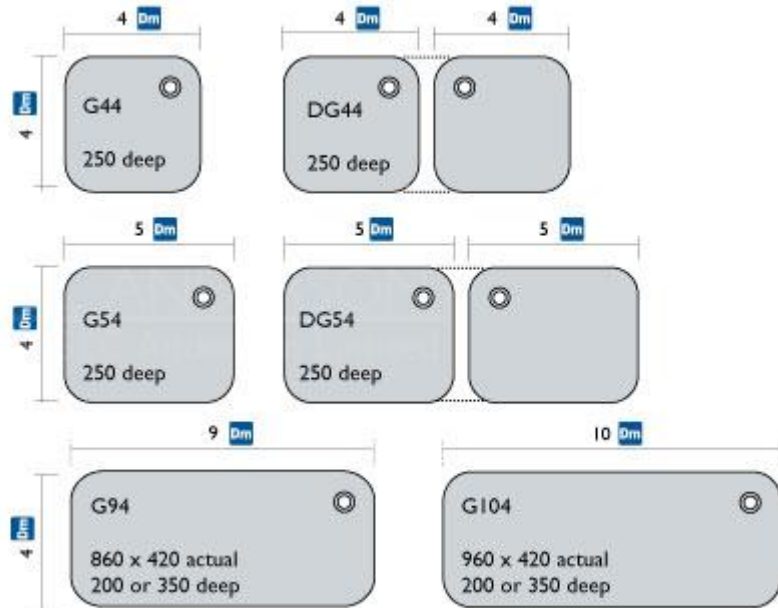
For **6 Dm** or **7 Dm** tops

Add bowls as required.

Place bowl(s) on module or centrally at least **1 Dm** (100 mm) from ends (or ask us).

46 mm between bowls.

**1 Dm** = 1 module = 100 mm



## DECIMETRIC® Classic

### 4 Dm (400 mm) Sink Bowls

- Suitable for 6 Dm (600 mm) or 7 Dm (700 mm) worksurfaces.
- Simply specify bowl size and position (85 mm from front edge).
- Ø 35 mm central taphole is standard.
- Right-hand outlet is standard (option: left).
- Ø 38 mm plug, chain and overflow (option: stainless steel stand pipe with or without corner-strainer).
- Distance between bowls: 46 mm.