

Sectional Doors

Sectional Insulated Overhead Doors



Provide a high standard of weather sealing

- Galvanise steel or aluminium panels and range of glazing options for full vision and improved daylighting
- High thermal performance
- Manual or powered operation
- Extra safety and security options



INTERIOR

EXTERIOR

PROCESS

SERVICE

SECTIONAL INSULATED OVERHEAD DOORS



High lift track



Overhead-opening insulated doors providing a high standard of weather sealing. Choice of installations to suit internal space available.

Materials and manufacture

Galvanised steel stucco-embossed panels 610mm high, with galvanised press-formed steel end stiles. Aluminium panels available as an alternative. 40 or 45mm thick with polyurethane foam infill.

Extruded non-absorbent rubber seals are fitted at top, bottom and sides of the door. End stiles, track and all fittings are steel, galvanised or electro zinc-plated as standard; stainless steel is an option.

Guide track/wheel carriers adjustable to ensure a good weather seal.

Side spring lock fitted.

Balanced by torsion spring assembly so that even large doors can be easily operated manually. Standard spring life 20 000 cycles; heavy-duty springs available for special applications.

Optional springless door balance system, pioneered by **sara**, reduces maintenance.

Options

Single or multiple double-glazed acrylic vision panels 664mm wide x 341mm high.

Pass door within main doors of opening width up to 4500mm.

Fully-glazed panoramic doors for full vision and improved daylighting.

Additional security locks.



Panoramic door



Sizes

All sizes available on application.

Appearance

Standard finish: soft white stoved polyester.

Alternatives: external face may be Colorcoat Plastisol, PVF2 or cellulose paint finish in any RAL colour to order.

Thermal performance

40mm thick panels with U-value of 0.49W/m²K.

U-value of 40mm door panels calculated by the finite element method and allowing for panel-to-panel joints, is better than 0.7W/m²K, exceeding the requirement of Building Regulations Approved Document L2.

75 or 80mm thick panels with U-value of 0.2W/m²K available for cold stores or other applications requiring extra insulation.



Standard lift door

Operation

Manual operation: up to 3m high normally by pull rope with lifting handle in the door; above 3m high by geared hand chain.

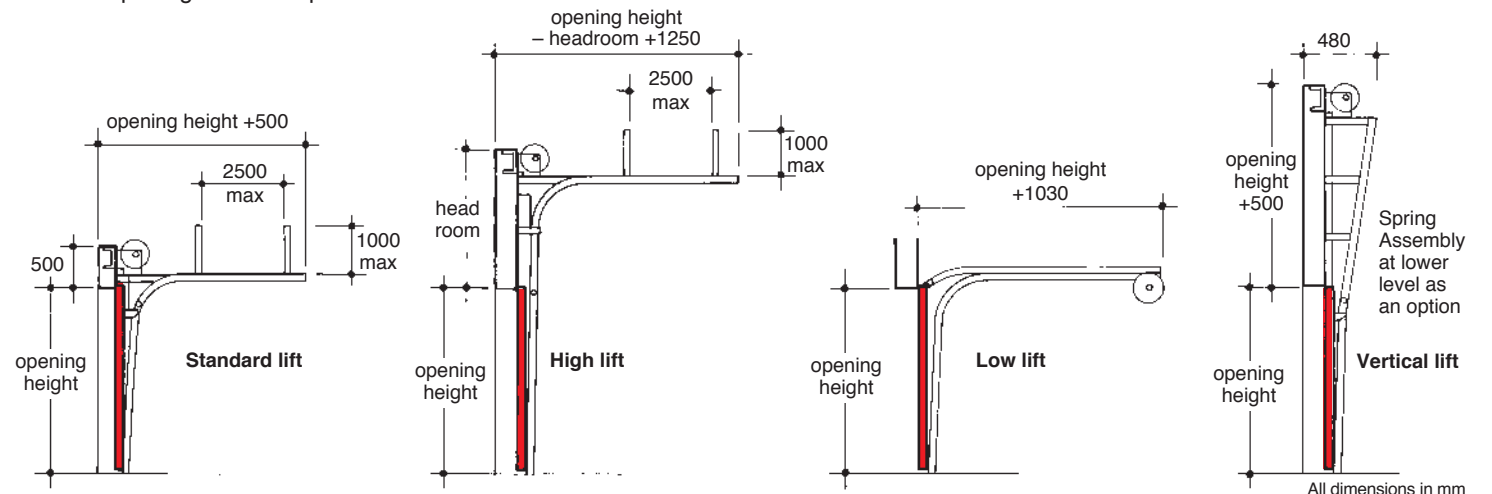
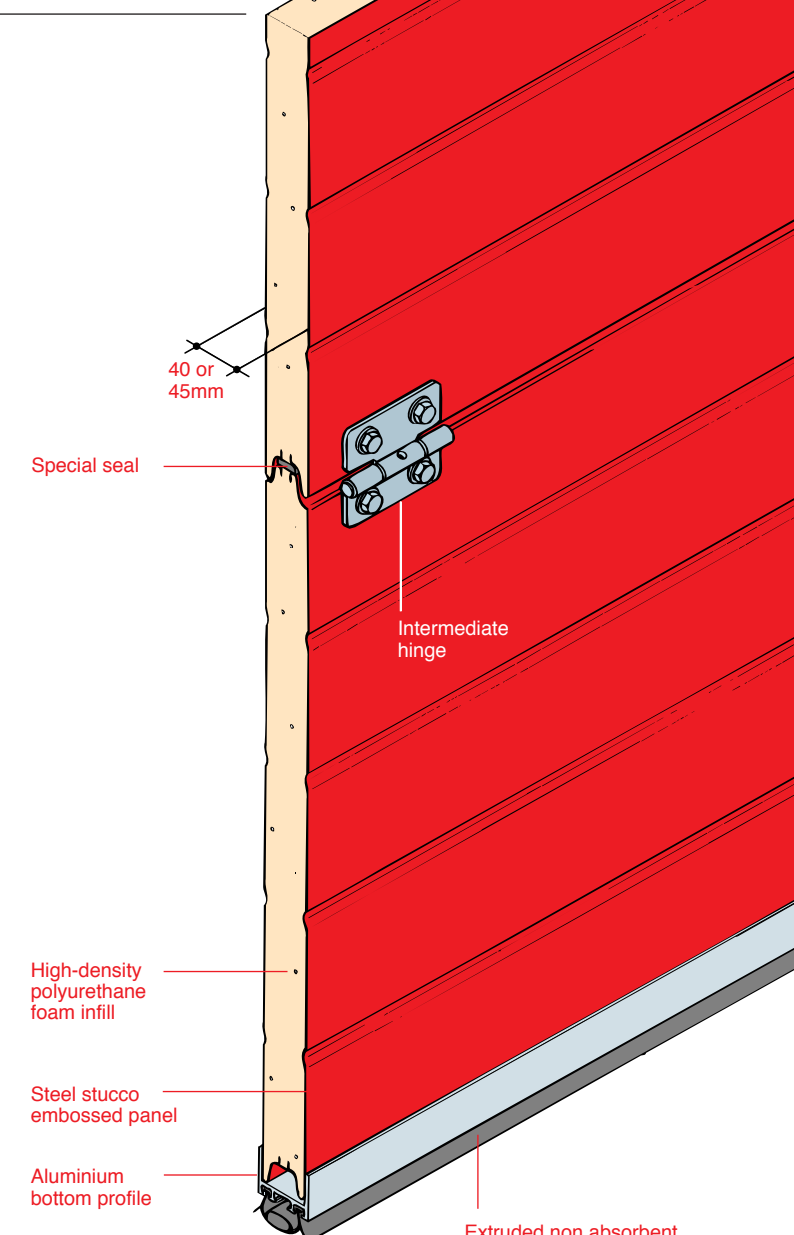
Powered operation: by 3-phase 415V 50/60Hz electric motor. Push-button control box with deadman feature (hold down to close).

Options include a range of control systems and automatic activators, prewired plug-in motor for faster installation, emergency opening.

Safety features

Cable-break and spring-break safety devices are standard, to prevent uncontrolled door drop.

Optional pneumatic safety edge to bottom panel; stops and returns closing door if an obstruction is met and emergency low-level opening in case of power failure.



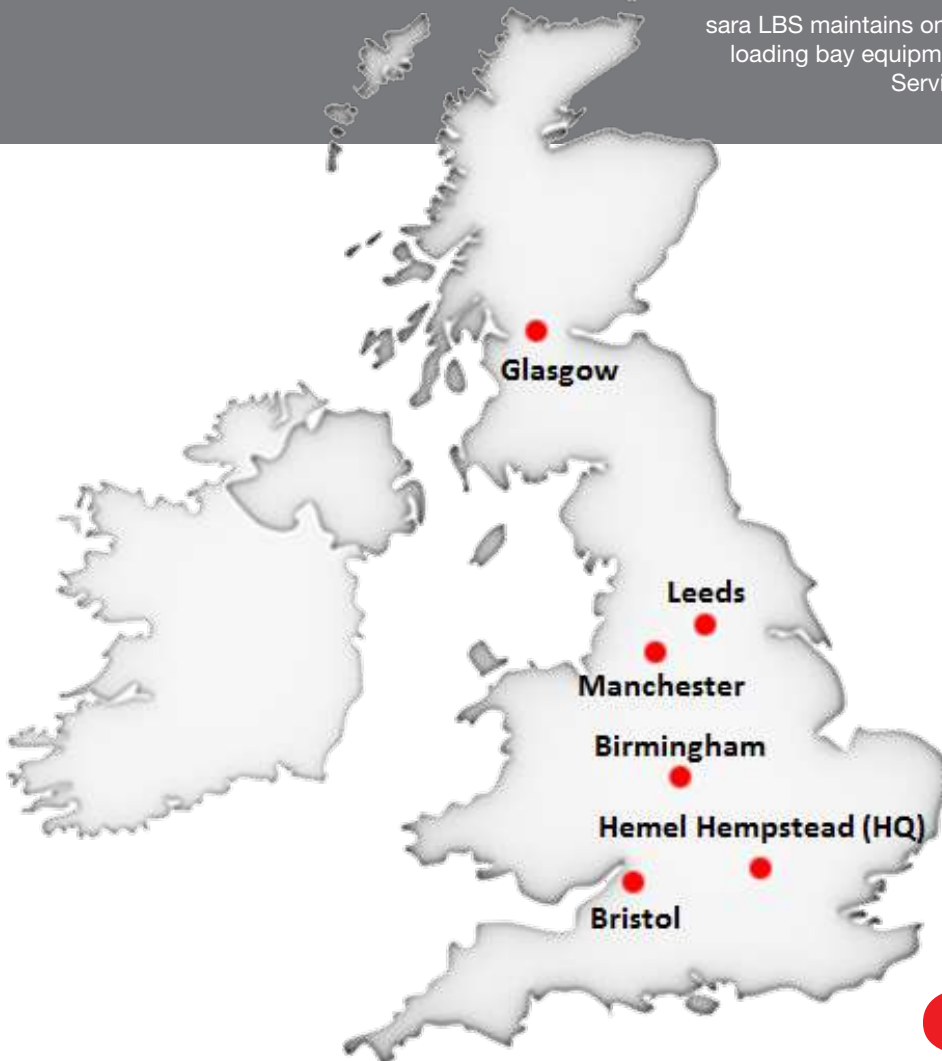


Preventative Maintenance Contracts

sara LBS offers 1, 3 and 5 year service contracts to help make sure that your equipment is well maintained throughout its life. Whether you bought your loading bay equipment from sara LBS or elsewhere, our CSCS trained engineers are able to ensure that your loading docks, scissor lifts, dock shelters, high speed doors etc. are maintained to the highest standard.

Contracts include regular servicing of equipment, preventative maintenance to stop a problem before it leads to downtime, and regular site inspections. Many of the UK's leading manufacturers and distributors use sara LBS to maintain their facilities, even if the original equipment isn't sara LBS branded.

sara LBS maintains one of the largest UK service networks for loading bay equipment and has engineers on the road 24/7. Service centres can be found across the UK.



sara Loading Bay Specialists Limited

Mark Road, Hemel Hempstead,
Hertfordshire HP2 7DN
United Kingdom

Phone: 44 (0) 1442 245577

Fax: 44 (0) 1442 217117

Email: sales@saralbs.co.uk

Web: saralbs.co.uk

