

Roller Shutter Doors

High Security



Heavy duty, insulated and fire roller shutter doors

- Optional vision panels and anti-cut bars for added security
- Galvanised steel interlocking laths and guides
- Manual by hand-chain, push-up or powered options



INTERIOR

EXTERIOR

PROCESS

SERVICE



ROLLER SHUTTERS

Standard heavy duty security roller shutters, also available in a thermally insulated version and a 4-hour fire-resisting version.

Roller shutter, standard

Curtain of 75mm curved galvanised mild steel cold-rolled interlocking laths.

Nylon endlocks on all laths with backplate to prevent lateral movement.

Barrel is electro resistance welded tubular section.

Galvanised steel guides, coil cover and bottom rail.

Options

Pneumatic sensing bottom safety edge.

Pass door.

Roller shutter, insulated

Curtain of galvanised steel hollow section laths with polyurethane insulation infill. Injection moulded Nylon-6 end fittings. Bottom edge of yellow extruded plastic section with rubber weather seal.

Options

Vision panels.

Anti-cut bars for added security.

Roller shutter, fire

Provides 4 hours fire resistance/protection, independently tested to BS 476: Part 22 Section 8.

Curtain as for standard shutter.

Heavy duty mild steel barrel with galvanised coil casing, end plates, guides and fixing angles. Powder coated bottom rail. Canopy as standard.

Options

Hand wheel.

Controlled descent in fire.

Fusible link. Link to fire alarm.

Sizes

Manual push-up operation up to 3m wide x 2.5m high; hand chain operation up to 4.5m wide x 4m high; powered up to 7m wide x 7m high.

Appearance

Standard shutters: galvanised. Optional external finish of Colorcoat Plastisol in any RAL colour.

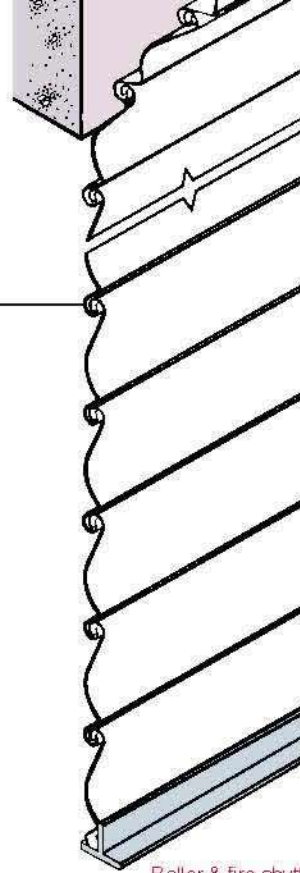
Fire shutters: optional external powder coating in any RAL colour.

Operation

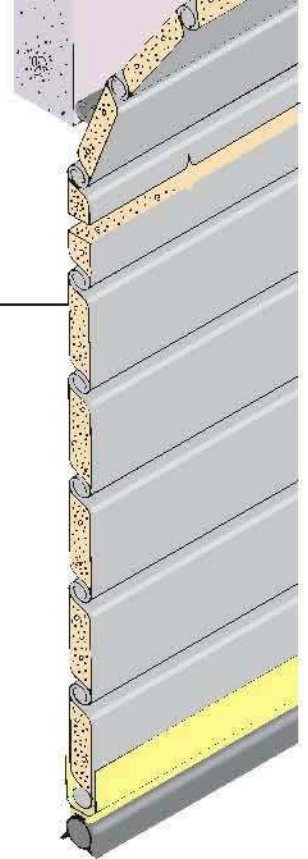
Manual by push-up or hand chain, or powered by 3-phase 415V 50/60Hz electric motor with manual opening in case of power failure.

Speed: up to 550mm/s.

Range of controls and automatic activators for powered doors.



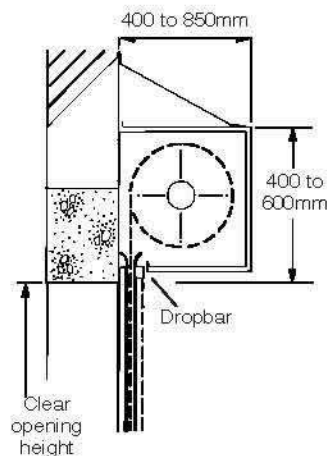
Roller & fire shutter



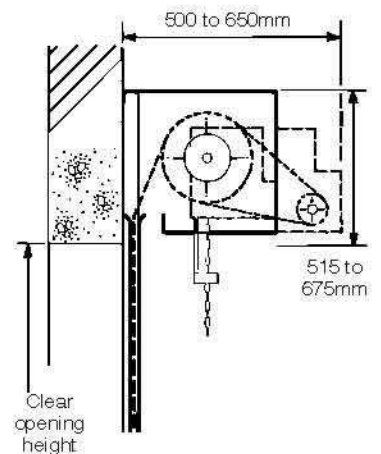
Insulated roller shutter

Installations

Roller shutter, fire



Roller shutter and Roller shutter, insulated



Roller shutter fire door



Insulated roller shutter door with viewing windows

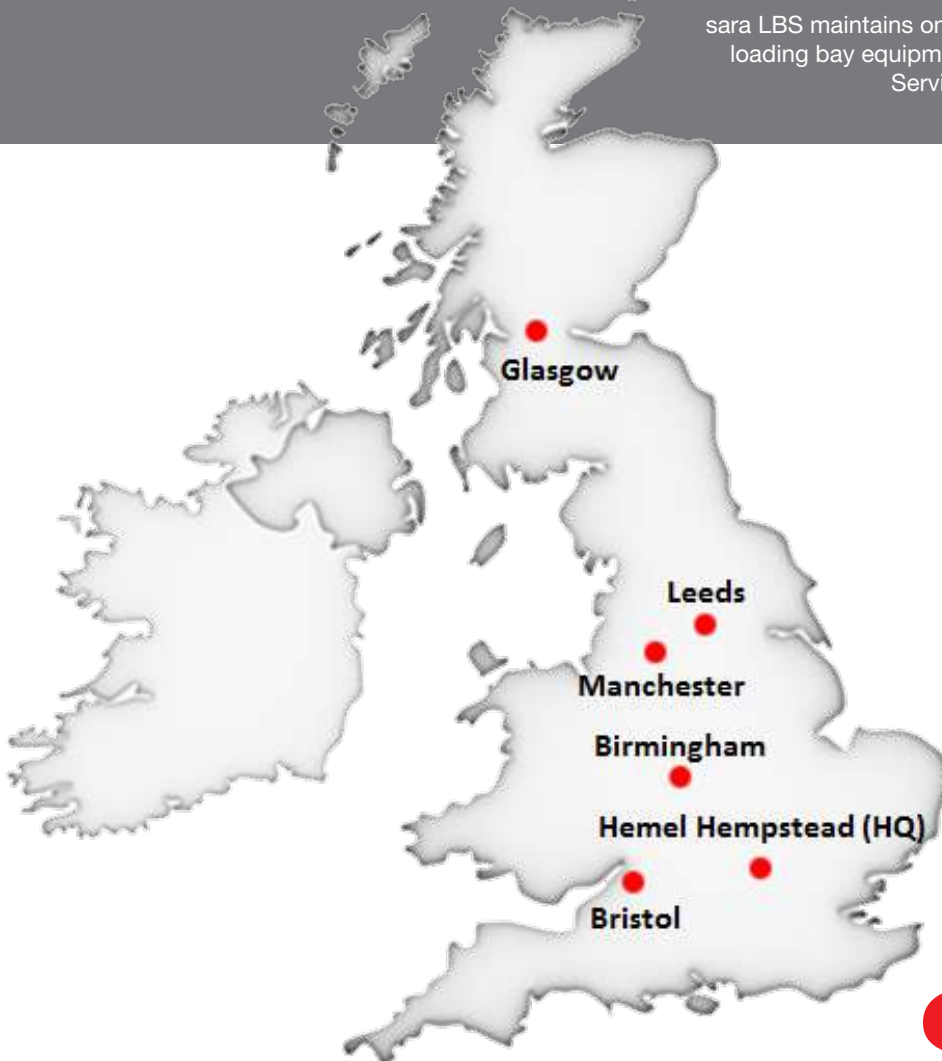


Preventative Maintenance Contracts

sara LBS offers 1, 3 and 5 year service contracts to help make sure that your equipment is well maintained throughout its life. Whether you bought your loading bay equipment from sara LBS or elsewhere, our CSCS trained engineers are able to ensure that your loading docks, scissor lifts, dock shelters, high speed doors etc. are maintained to the highest standard.

Contracts include regular servicing of equipment, preventative maintenance to stop a problem before it leads to downtime, and regular site inspections. Many of the UK's leading manufacturers and distributors use sara LBS to maintain their facilities, even if the original equipment isn't sara LBS branded.

sara LBS maintains one of the largest UK service networks for loading bay equipment and has engineers on the road 24/7. Service centres can be found across the UK.



sara Loading Bay Specialists Limited

Mark Road, Hemel Hempstead,
Hertfordshire HP2 7DN
United Kingdom

Phone: 44 (0) 1442 245577

Fax: 44 (0) 1442 217117

Email: sales@saralbs.co.uk

Web: saralbs.co.uk

