

# Sprint 300 MP

Protection and Safety for Automated Processes



## Rugged, reliable and easy to install

- Various control options, designs and colours available
- Solid aluminium side frames with integrated safety limit switches
- Gear motor with drop-down protection safety box



**INTERIOR**

EXTERIOR

PROCESS

SERVICE

## ADVANTAGES OF SPRINT 300 MP

Thanks to its design and small number of parts, the Sprint 300 MP is rugged, reliable and easy to install. It opens and closes quickly and can be installed in machines, on production lines and safety fences. The door can be installed near to the machine due to its stable, wind load-resistant door curtains, which also protect against direct pressure.

## DESIGN

Solid aluminium side frames with integrated safety limit switches. The transparent covers of the safety limit switches allow easy monitoring and servicing.

## DOOR CURTAIN

Various designs and colours are available depending on the application (see table). For use in welding systems, we recommend the use of RollTex® or NomaTex® curtains to protect against sparks. Optional anti-UV welding windows that conform to EN1598 are also available. Side-mounted wind tabs reduce deflection of the door curtain.

## DRIVE UNIT

Gear motor with drop-down protection safety gearbox, mounted on the right or left side of the door.

## CONTROL

Depending on the application, there are 2 control systems (ACS 50/MCC<sup>VectorControl</sup>), which offer a broad spectrum of speeds, power supplies and options for connecting control and safety devices. On request the door can also be delivered without a control system.

## MANUAL ACTIVATION

In the event of a power failure, the door can be opened manually with a crank.

## OPTIONS

There are various options for this type of door, such as: Harting plug connection for the curly cable, safety limit switches on selectable stop positions (X-level) e.g. for conveyor systems, motor turned upward or chain-drive.

Technical Data	Sprint 300 MP	
<b>Door dimension (mm)</b>	For details please note general drawing	
DW min./max.	750 / 3500mm	
DH min./max.	750 / 3500mm	
<b>Opening direction</b>	vertical	
<b>Surface</b>		
Side frame	Anodised aluminium	
Bottom profile	Anodised aluminium	
Barrel	Anodised aluminium	
<b>Covers</b>		
Barrel cover (anodised aluminium) <sup>1)</sup>	•	
Motor cover (steel powder-coated) <sup>1)</sup>	•	
<b>Door curtain</b>		
PVC with coloured, silicon free reinforcement stripes	•	
RollTex® Plus *	✓	
RollTex® Original *	•	
NomaTex® **/**	•	
*optional with window		
**optional with vision panels		
<b>Wind tabs</b>	✓	
<b>Drive unit</b>	electrical	
<b>Control systems</b>	ACS 50 / MCC <sup>VectorControl</sup> 0	
<b>Safety</b>		
Electric self-testing safety edge	✓	
Door line photocell	✓	
Fall down protection	✓ in drive unit	
<b>Speed</b>	<b>ACS 50</b>	<b>MCC<sup>VectorControl</sup></b>
Open/close up to	0,8 / 0,8 m/s	2,0 / 1,0 m/s
Fuse protection	6,3A	12A
Motor power	0,75kW	0,75kW
Typical cycle number/min.	max.1	max. 3
3L/(N)PE/220/230/380/400/415V; 50Hz	✓	
3L/(N)PE/380/400/415/440V; 50/60Hz	✓	
Control voltage	24V DC	24V DC
Protection	IP 55	IP 55
✓Standard • Option		
1) For doors of height ≤ 2500mm the use of barrel and motor cover is required according to standard EN 13241-1.		

# Machine Protection Door Sprint 300 MP with a fully type tested Safety Concept



## APPLICATIONS

- Automatic welding systems
- Cutting systems
- Milling machines
- Painting systems
- Workpiece handling
- Tool handling
- Presses
- Conveyor systems
- Elevator and high-bay storage systems

## ADVANTAGES OF SPRINT 300 MP

- Suitable for universal use indoors
- Rapid opening and closing ensures a short cycle time
- Space-saving construction offers a multitude of applications
- Cost-savings due to quick and easy installation
- Protection against flying sparks, dust, noise or welding splatter
- Personnel protection in machine danger zones
- Safety limit switches according to EN 954-1
- Doors conform to EN ISO 12100 and EN 1088
- Flexible, tear-resistant, stretch-resistant door curtains
- Microprocessor control of the door allows individual programming to meet specific needs
- Versions conforming to various factory standards are possible
- High reliability even after years of constant use

## CONNECTING TO THE MACHINE

- Potential-free safe contacts for 'Door closed'
- Output 'Door open'
- Output 'Door closed'
- Output 'Fault'
- Machine is controlling the door by potential-free contacts

## SAFETY LIMIT SWITCHES

- Safety limit switches, category 3 or 4 according to EN 954-1
- Delivered with safety monitoring module as standard
- Optional evaluation by the machines safety systems (versions without safety monitoring module)

Due to the use of safety limit switches, machine protection doors cannot be equipped with a knock-out mechanism.

## SAFETY FEATURES

This door is designed according to the regulations of the Workplace Directive of the UVV as well as the harmonised CE Guidelines including EN 13241-1 and 98/37/EG.

## RISK ASSESSMENT

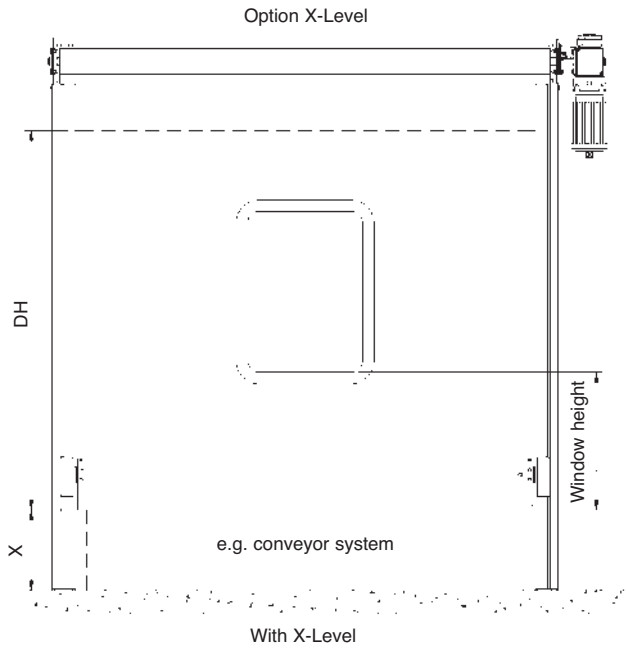
The security of the door is designed for normal use for vehicles in an industrial environment corresponding to the harmonised CE Guidelines. In consideration of the situation on site, especially in case of use by pedestrians, additionally safety measures, like additional activators may be advisable. In addition, special environmental conditions may have impact on the right choice of door type. In case of any doubt, please contact **sara**.



The safety limit switches are integrated in the side frame to save space. Transparent covers allow easy monitoring and easy access



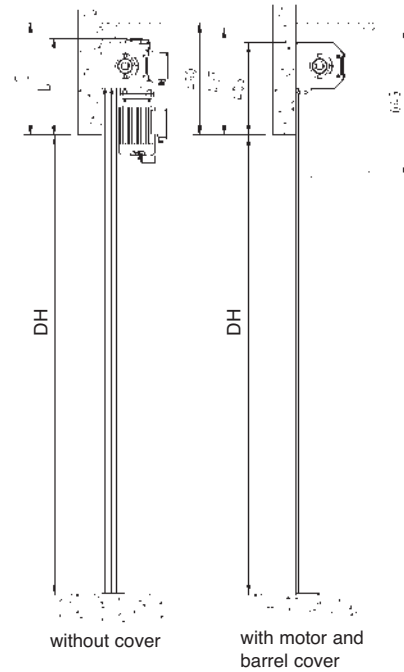
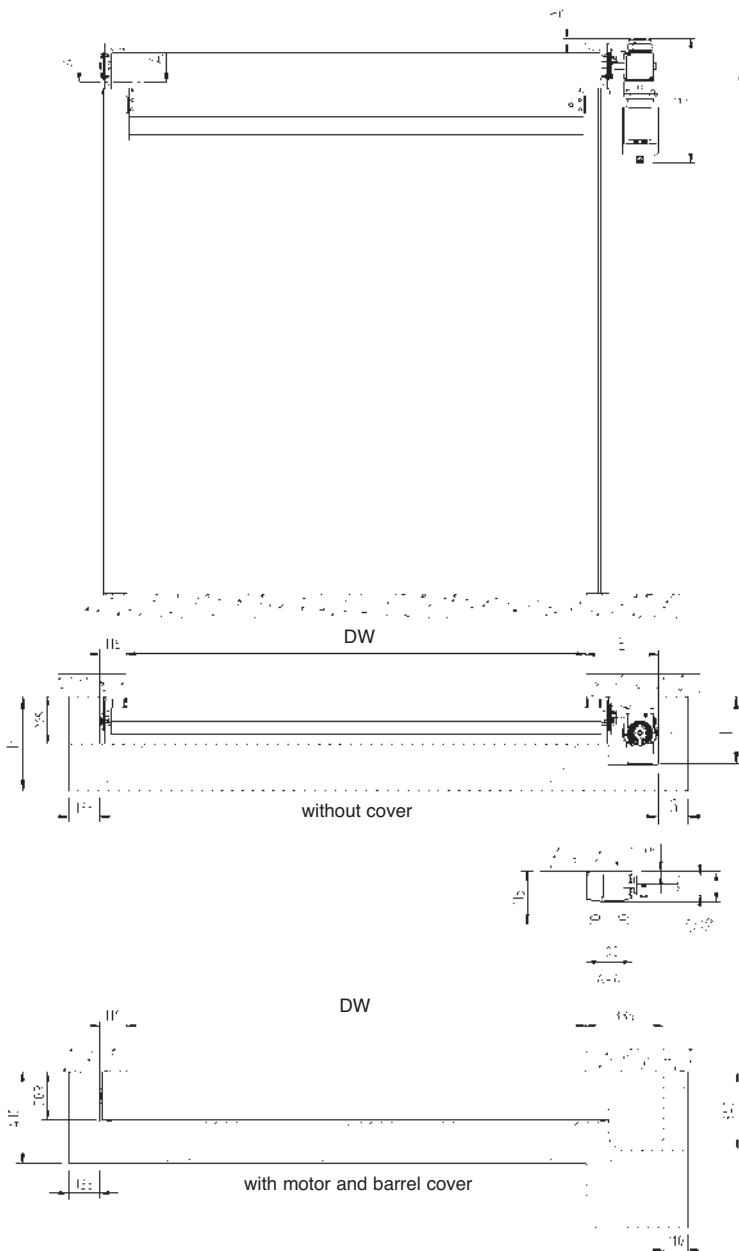
Optional: Connection of the curly cable via a Harting plug-connector



The drive unit shown here is mounted on the right-hand side. Mounting on the left-hand side is also possible.

The shaded areas indicate the space required for installation and service. If this space is not available, please contact **sara**

X: The door does not close all the way to the floor, if stops at the X-level.



	ACS 50	ACS 70
A	40mm	20mm
B	540mm	543mm
C	490mm	490mm
D	442mm	423mm
E	260mm	315mm
F	320mm	290mm
G	130mm	130mm
H	410mm	410mm



## SIDE FRAME

Made from anodised aluminium profiles.

## MOTOR COVER <sup>1)</sup>

Made of a steel plate painted in the shade of aluminium.

## CONTROL BOX

Two control systems are available depending on the opening speed, power supply and cycle time requirements.

## SAFETY FEATURES

Each door has an electric self-testing safety edge. A doorline photocell also prevents the door from closing when obstructed.

## SAFETY LIMIT SWITCHES

Either magnetic switches (cat. 4) or roller lever limit switches (cat. 3) are integrated in the side frame to show when the door is safely closed.



## BARREL

Aluminium with steel shafts.

## BARREL COVER <sup>1)</sup>

Made of anodised aluminium.

## MOTOR POSITION

Available on the left or right hand side.

## DOOR CURTAIN

Optional: RollTex<sup>®</sup>, NomaTex<sup>®</sup> or transparent PVC curtains with coloured reinforcement stripes. All door curtains are silicon-free.

## COLOURS

Standard red, orange, blue, grey; reinforcement stripes (PVC curtain) in various colours.

## WINDOWS

For process monitoring when the door is closed, various window variants are optionally available.

### Note:

<sup>1)</sup> For doors of height ≤ 2500mm the use of barrel and motor cover is required according to standard EN 13241-1.



Products shown may include optional accessories.

## MACHINE PROTECTION DOORS ARE FULLY TYPE TESTED BY TÜV



## SAFETY LIMIT SWITCHES



Either magnetic switches (cat. 4) or roller lever limit switches (cat. 3) are integrated in the side frame to show when the door is safely closed.

## DOOR CURTAIN



Depending on the application, various door curtains are available: from PVC curtains with a high degree of transparency to robust RollTex<sup>®</sup> and NomaTex<sup>®</sup> variants.

## OPTIONAL WINDOWS



On PVC curtains with coloured reinforcement stripes, there are large viewing areas. For all other variants of curtains, optional horizontal or vertical windows are integrated in the door curtain. Anti-UV windows are optional.



Products shown may include optional accessories.



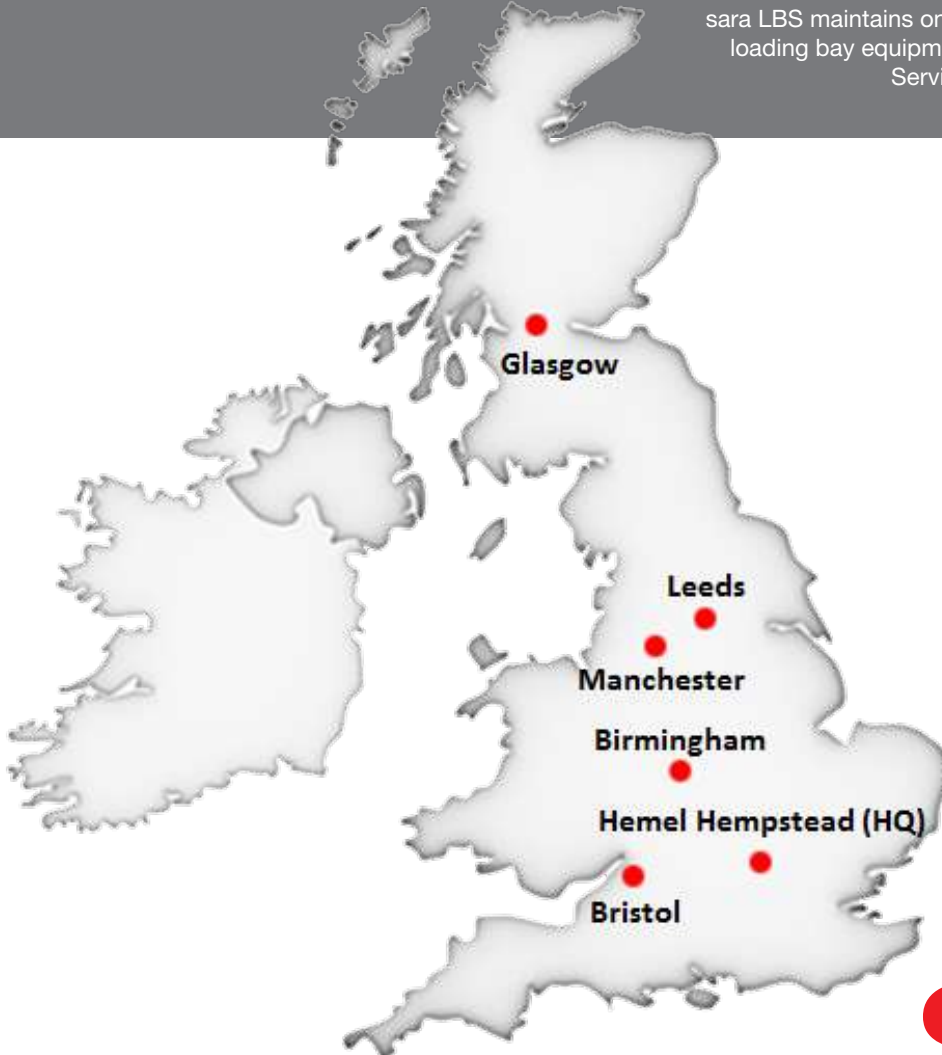


## Preventative Maintenance Contracts

sara LBS offers 1, 3 and 5 year service contracts to help make sure that your equipment is well maintained throughout its life. Whether you bought your loading bay equipment from sara LBS or elsewhere, our CSCS trained engineers are able to ensure that your loading docks, scissor lifts, dock shelters, high speed doors etc. are maintained to the highest standard.

Contracts include regular servicing of equipment, preventative maintenance to stop a problem before it leads to downtime, and regular site inspections. Many of the UK's leading manufacturers and distributors use sara LBS to maintain their facilities, even if the original equipment isn't sara LBS branded.

sara LBS maintains one of the largest UK service networks for loading bay equipment and has engineers on the road 24/7. Service centres can be found across the UK.



### sara Loading Bay Specialists Limited

Mark Road, Hemel Hempstead,  
Hertfordshire HP2 7DN  
United Kingdom

Phone: 44 (0) 1442 245577

Fax: 44 (0) 1442 217117

Email: [sales@saralbs.co.uk](mailto:sales@saralbs.co.uk)

Web: [saralbs.co.uk](http://saralbs.co.uk)



# sara<sup>®</sup>

