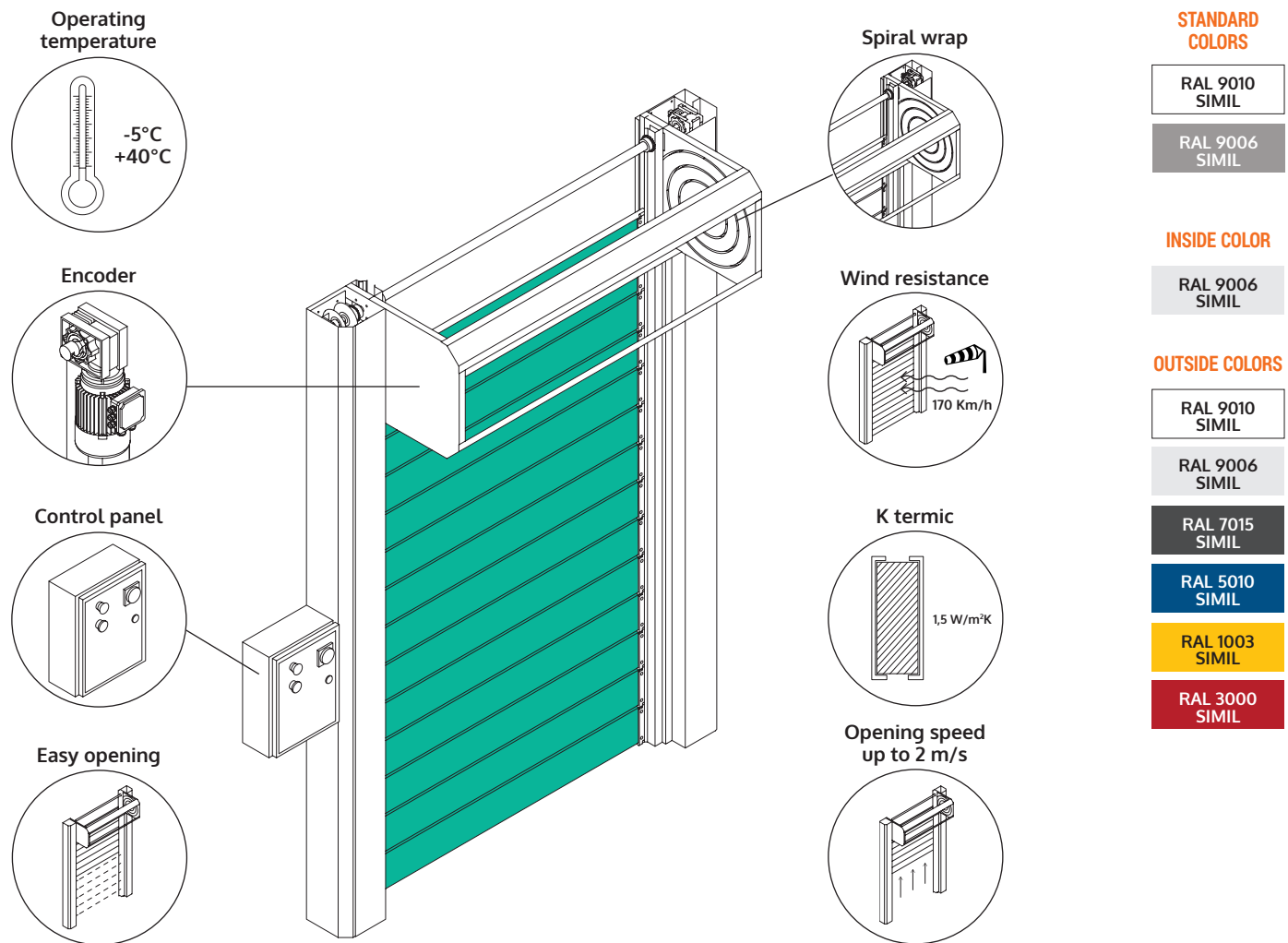


Thermicroll

Spiral ISO 50

The top of the range between insulated doors Thermicroll® provides the best performance in terms of speed, security and isolation, combined with an attractive aesthetic look; it is suitable for both inside and outside applications.



STANDARD COLORS

- RAL 9010 SIMIL
- RAL 9006 SIMIL

INSIDE COLOR

- RAL 9006 SIMIL

OUTSIDE COLORS

- RAL 9010 SIMIL
- RAL 9006 SIMIL
- RAL 7015 SIMIL
- RAL 5010 SIMIL
- RAL 1003 SIMIL
- RAL 3000 SIMIL

APPLICATION FIELDS

| RETAIL | INDUSTRY | LOGISTIC | REFRIGERATION | GARAGE | AIRPORT | PORT | GENERAL USE |
|--------|----------|----------|---------------|--------|---------|------|-------------|
| 😊 | 😊 | 😊 | | 😊 | 😊 | 😊 | 😊 |

| PARAMETERS | TECHNICAL AND OPERATING SPECIFICATIONS | |
|------------------------|--|--|
| APPLICATION | Inside and outside | |
| MAX CLEAR DIMENSIONS | 6500 x 6500 mm | |
| OPENING SPEED | Up to 2 m/s (depending on the size) | |
| CLOSING SPEED | ~ 0,5 m/s | |
| K THERMIC | ~ U = 1,5 W/m²K (depending on the size) | |
| ACUSTIC | 22 Db | |
| WATER PERMEABILITY | Class 3 | |
| WIND PERMEABILITY | Class 3 | |
| OPERATING TEMPERATURE | -5°C +40°C | |
| WIND RESISTANCE | CLASS | |
| L/H 3000 x 3000 mm | 4 | |
| L/H 5000 x 5000 mm | 3 | |
| L/H 6000 x 5000 mm | 3 | |
| STRUCTURE | STANDARD Galvanized steel | OPTIONAL Epoxy powder painted steel RAL |
| CURTAIN 50 mm | STANDARD OUTSIDE/INSIDE: pre-painted alluminium in standard RAL colors | OPTIONAL OUTSIDE: RAL pre-painted aluminium / steel |
| SPIRAL WRAP | Patented, in high density polyethylene PEHD 500 | |
| GUIDES | Patented, in high density polyethylene PEHD 500 | |
| CONTROL PANEL | Inverter 380 V with microprocessor | |
| POWER SUPPLY | 400 V | |
| FREQUENCY | 50/60 Hz | |
| LIMIT SWITCH | Encoder | |
| GEAR BOX / ENGINE | Asynchronous motorized with electric brake 110 V for intensive use high frequency | |
| EMERGENCY OPENING | STANDARD Manual crank release (counterweight) | OPTIONAL Manual chain release / UPS battery |
| SAFETY EDGE (EN 13241) | STANDARD Integrate in photocells barriers | OPTIONAL Anti-crushing sensor |
| WIRING | Waterproof IP 69 plug and play | |
| PHOTOCELLS | With 22 rays activated up to a height of 2500 mm | |
| DURABILITY | 3,000,000 open/close cycles with standard maintenance every 6 months or every 150.000 cycles | |

