

Product data sheet

HEWI SENSORIC Electronic soap dispenser
805.06.115

HEWI



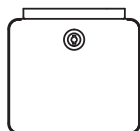
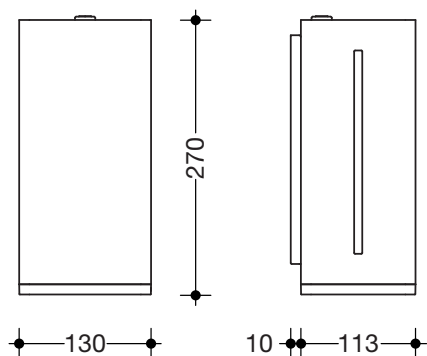
HEWI SENSORIC Electronic soap dispenser
805.06.115

- cubic body with recessed wall base
- used to hold standard liquid soap
- with inner container for free filling, capacity 1000 ml
- inner container can be removed for cleaning
- side level indicator
- non-contact soap dispensing
- with battery change indicator
- with locking system as protection against misuse
- maintenance-free
- 130 mm wide, 270 mm high and 113 mm deep, wall-mounted base 10 mm deep
- for wall mounting
- made of high-quality stainless steel, satin surface finish
- opening made of high-quality polyamide in HEWI colours 90 (jet black), 92 (anthracite grey), 98 (signal white) or 99 (pure white)
- including non-corrosive HEWI fixing material.
- batteries (C - Baby - LR14 - 1.5 V / 3 batteries) not included



HEWI SENSORIC

Dimensions in mm



Surface/Colours

XA satin	98	99	92	90
Stainless steel	Polyamide			

Technical information subject to alteration, 16th August 2019

HEWI Heinrich Wilke GmbH
Postfach 1260
D-34442 Bad Arolsen

Telefon: +49 5691 82-366
Telefax: +49 5691 82-99366
international@hewi.com
www.hewi.com

HEWI (UK) Limited
Holm Oak Barn, Beluncle Halt
Stoke Road
Hoo Kent ME3 9NT

Phone +44 1634 258 200
Fax +44 1634 250 099
info@hewi.co.uk
www.hewi.com