

Veneered Wood Ceiling Panels - Prestige

PRODUCT CHARACTERISTICS:

- Wood veneered acoustic ceiling tile
- Natural wood veneer
- Durable 16 mm MDF core material
- Lay in tile for T-24 API Cross-Lock grid
- Concealed edge detail
- Individually demountable

Project : Amity University Dubai, UAE
Product : Veneered Wood Tiles, Trend and Standard Wall panels
Architect: IR Design

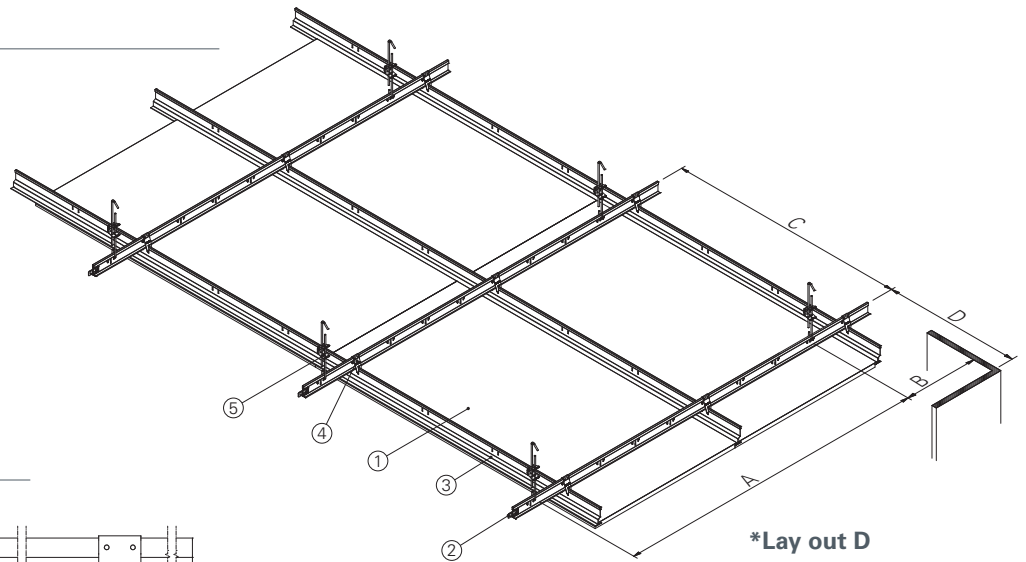
www.hunterdouglasarchitectural.eu

© Registered trademark - a HunterDouglas® product

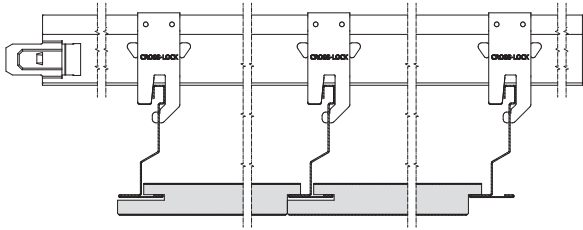
HunterDouglas 
Architectural

SYSTEM OVERVIEW

1. Prestige Ceiling Tile
2. CL 24-38 Main runner or CL 24-38 Stepped T profile 3600mm
3. QL 24-38 Main runner / CL 24-60 Stepped Main runner 3600 mm
4. Cross Lock connection bracket
5. Quick hanger



TYPICAL SECTIONS



MAXIMUM SPAN

Prestige Tile Panel size (LxW)	Lay out	Max. Main runner span		CTC Main runner	
		A	B	C	D
600 x 600 mm	C	1200	200	600	400
1200 x 600 mm	D*	1200	200	600	400
1800 x 600 mm	D	1200	200	600	400

MATERIAL PROPERTIES

- **Material:** 16 mm Medium Density Fibreboard
- **Toplayer:** Organic wood veneer, Engineered wood veneer, High Pressure Laminate, RAL painted
- **Sizes:** 600 x 600 mm, 1200 x 600 mm and 1800 x 600 mm.
Other sizes upon request
- **Weight:** ± 13 kg/m² (plain) or down to 10 kg/m² (perforated)
- **Fire retardant:** Up to class B,s1,d0 (plain) or B,s2,d0 (perforated)
- **Acoustic:** Up to α_w 0,95 / NRC 0,90 / SAA 0,90

ACOUSTICS

Contact your sales contact for latest perforation patterns overview and acoustic performance



Single Perforations



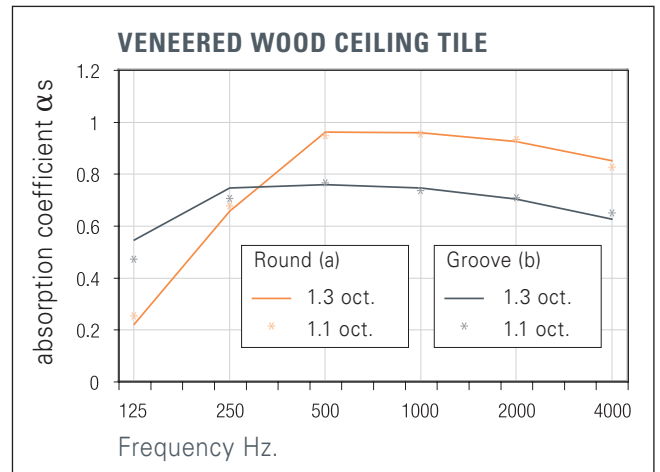
Double Perforations



Nano Perforations

CERTIFICATIONS

- French VOC regulation class A
- E1 (EN 717-1)
- FSC NC-COC-016324



ROUND NANO-PERFORATION (a) α_w : 0.95 - NRC: 0.90

FREQUENCY (HZ)	125	250	500	1000	2000	4000
1/3 octave	0.14	0.47	0.90	1.00	0.96	1.00
	0.21	0.67	0.97	0.98	0.96	0.85
	0.35	0.89	1.00	0.96	0.98	0.62
1/1 octave	0.23	0.68	0.96	0.98	0.97	0.82

GROOVE PERFORATION (b) α_w : 0.75 - NRC: 0.75

FREQUENCY (HZ)	125	250	500	1000	2000	4000
1/3 octave	0.28	0.57	0.84	0.73	0.73	0.65
	0.57	0.76	0.77	0.76	0.71	0.62
	0.60	0.75	0.74	0.76	0.67	0.65
1/1 octave	0.48	0.69	0.78	0.75	0.70	0.64

HunterDouglas 
Architectural

Hunter Douglas Architectural

Piekstraat 2
P.O. Box 5072 - 3008 AB Rotterdam - The Netherlands
Tel. +31 (0)10 - 486 99 11 - Fax +31 (0)10 - 484 79 10
www.hunterdouglasarchitectural.eu