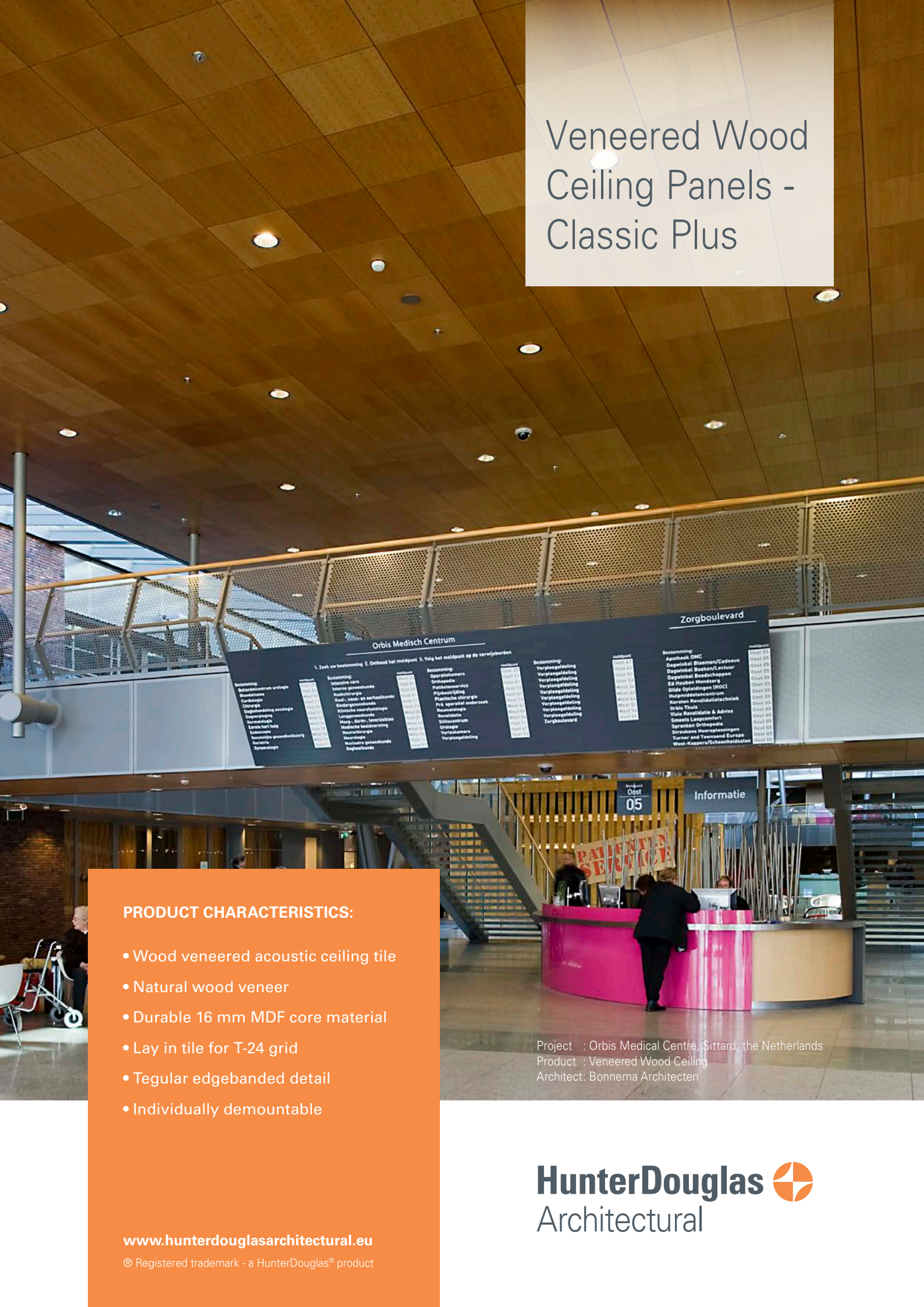


# Veneered Wood Ceiling Panels - Classic Plus



## PRODUCT CHARACTERISTICS:

- Wood veneered acoustic ceiling tile
- Natural wood veneer
- Durable 16 mm MDF core material
- Lay in tile for T-24 grid
- Tegular edgebanded detail
- Individually demountable

Project : Orbis Medical Centre, Sittard, the Netherlands  
 Product : Veneered Wood Ceiling  
 Architect: Bonnema Architecten

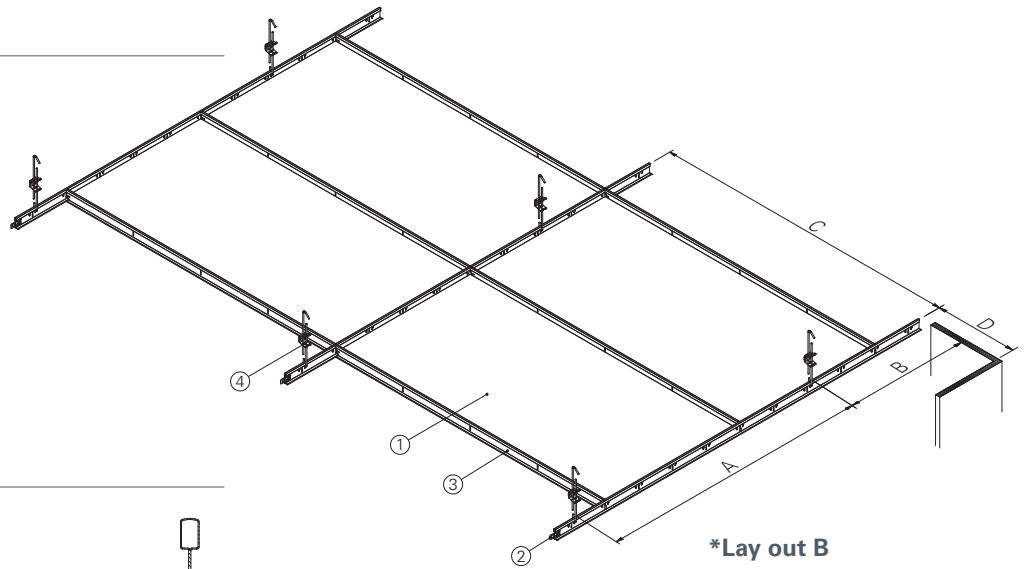
[www.hunterdouglassarchitectural.eu](http://www.hunterdouglassarchitectural.eu)

© Registered trademark - a HunterDouglas® product

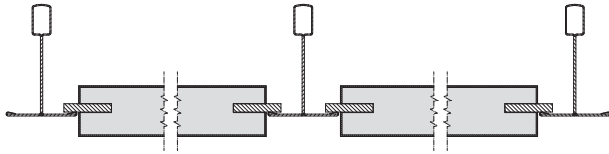
**HunterDouglas**   
 Architectural

## SYSTEM OVERVIEW

1. Classic Plus Ceiling Tile
2. QL 24-38 Main runner 3600 mm
3. QL 24-38 Cross runner 1200 mm
4. Quick hanger



## TYPICAL SECTIONS



## MAXIMUM SPAN

Classic Plus Tile Panel size (LxW)	Lay out	Max. Main runner span		CTC Main runner	
		A	B	C	D
600 x 600 mm	A	900	200	1200	400
<b>1200 x 600 mm</b>	<b>B*</b>	<b>900</b>	<b>200</b>	<b>1200</b>	<b>400</b>
1800 x 600 mm	D	1200	200	600	400
1200 x 600 mm	D	1200	200	600	400
600 x 600 mm	C	1200	200	600	400

## MATERIAL PROPERTIES

- **Material:** 16 mm Medium Density Fibreboard
- **Toplayer:** Organic wood veneer, Engineered wood veneer, High Pressure Laminate, RAL painted
- **Sizes:** 600 x 600 mm, 1200 x 600 mm and 1800 x 600 mm.  
*Other sizes upon request*
- **Weight:** ± 13 kg/m<sup>2</sup> (plain) or down to 10 kg/m<sup>2</sup> (perforated)
- **Fire retardant:** Up to class B,s1,d0 (plain) or B,s2,d0 (perforated)
- **Acoustic:** Up to  $\alpha_w$  0,95 / NRC 0,90 / SAA 0,90

## ACOUSTICS

Contact your sales contact for latest perforation patterns overview and acoustic performance



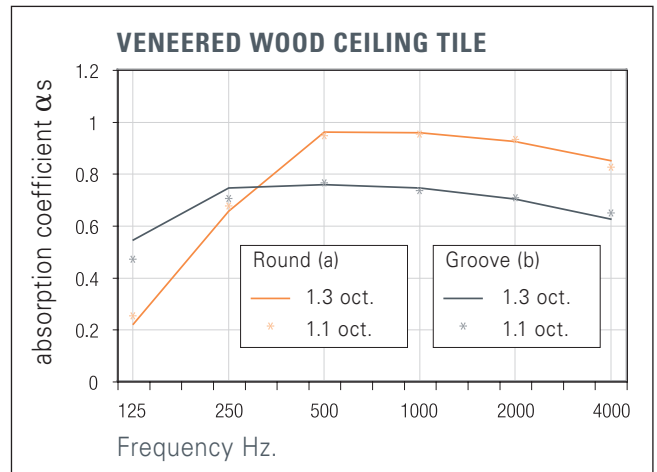
Single Perforations

Double Perforations

Nano Perforations

## CERTIFICATIONS

- French VOC regulation class A
- E1 (EN 717-1)
- FSC NC-COC-016324



### ROUND NANO-PERFORATION (a) $\alpha_w$ : 0.95 - NRC: 0.90

FREQUENCY (HZ)	125	250	500	1000	2000	4000
1/3 octave	0.14	0.47	0.90	1.00	0.96	1.00
	0.21	0.67	0.97	0.98	0.96	0.85
	0.35	0.89	1.00	0.96	0.98	0.62
1/1 octave	0.23	0.68	0.96	0.98	0.97	0.82

### GROOVE PERFORATION (b) $\alpha_w$ : 0.75 - NRC: 0.75

FREQUENCY (HZ)	125	250	500	1000	2000	4000
1/3 octave	0.28	0.57	0.84	0.73	0.73	0.65
	0.57	0.76	0.77	0.76	0.71	0.62
	0.60	0.75	0.74	0.76	0.67	0.65
1/1 octave	0.48	0.69	0.78	0.75	0.70	0.64

**HunterDouglas**   
Architectural

**Hunter Douglas Architectural**

Piekstraat 2  
P.O. Box 5072 - 3008 AB Rotterdam - The Netherlands  
Tel. +31 (0)10 - 486 99 11 - Fax +31 (0)10 - 484 79 10  
[www.hunterdouglasarchitectural.eu](http://www.hunterdouglasarchitectural.eu)