

HALFEN HBJ BETOJUSTER

PRODUKTINFORMATION TECHNIK



HALFEN BETOJUSTER

HBJ 14.1

FASSADE



HALFEN
YOUR BEST CONNECTIONS

HALFEN HBJ-W BETOJUSTER

Advantages at a Glance

HALFEN HBJ-W – Betojuster for precast concrete wall elements

The HALFEN HBJ Betojuster is an auxiliary device for adjusting and aligning precast concrete elements; especially suitable for aligning wall elements, prefabricated garages and concrete form shapes.

The HBJ Betojuster provides the building contractor with a simple and therefore a safe method for precise vertical adjustment of walls after initial installation; while simultaneously avoiding injuries to site personnel and avoiding tool damage to concrete elements.

Adjustment requires minimal effort and is done with standard tools.

The minimal construction height ensures the betojuster stays below the final floor height. The screw slots do not need to be grouted.

Advantages

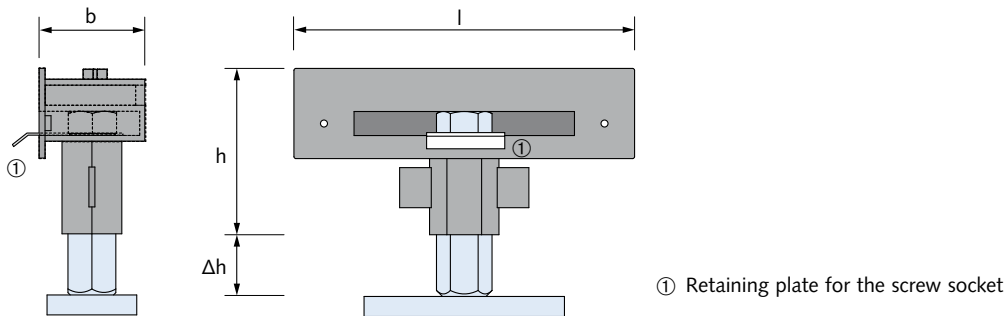
- damage-free screw-adjustable height
- crane time optimization; once the elements are placed and adequately secured and shored, the crane is available to lift the next element
- adjustment range up to 35 mm
- requires only standard tools
- minimal effort required
- especially designed for applications where access is restricted



HALFEN HBJ-W BETOJUSTER

Product Overview

Product data



HALFEN HBJ-W		
construction height (without pressure-distribution block)	h [mm]	75
adjustment range	Δh [mm]	+35
construction depth	b [mm]	53
construction length	l [mm]	170
minimum wall thickness	d [mm]	60
adjustment wrench size	SW [mm]	24
load capacity for each betojuster	F [kN]	50
	F _D [kN]	67.5

Order information

HALFEN HBJ-W Betojuster		
	Item name	Article no.
	HBJ-W Betojuster	0420.010-00001



Installation note

We recommend using a ratchet spanner-wrench for efficient adjustment.
For example: article no. 503.5924
from KS TOOLS.

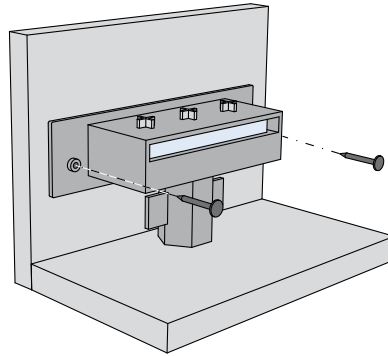


HALFEN HBJ-W BETOJUSTER

Assembly and Application

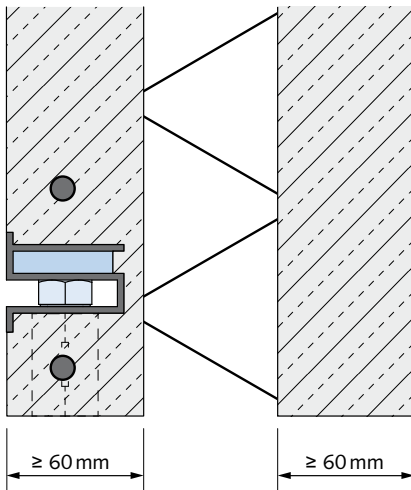
Precast plant assembly

Two betojusters are installed flush with the underside of the concrete wall element. The screw socket is fully recessed in delivery state and during the initial installation.

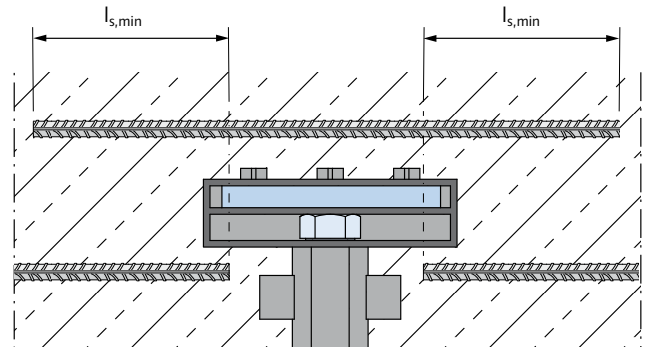


Attach to timber formwork with nails or to steel formwork using hot glue.

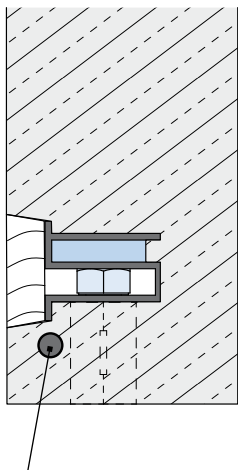
Variant 1: sandwich-walls, post-filled with concrete



In sandwich-walls the HBJ is installed only in one shell (preferably in the inner shell). The required edge reinforcement is installed off-set behind the HBJ.



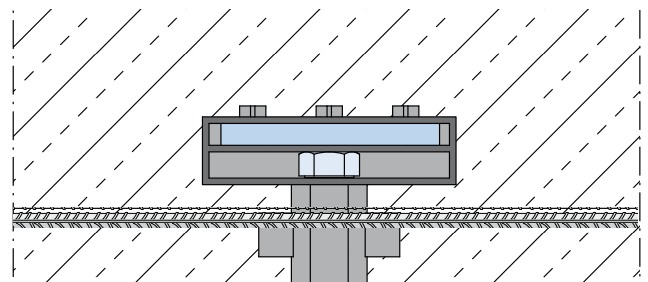
Variant 2: monolithic walls



Continuous edge reinforcement

The betojuster is fixed to the formwork with an additional wood batten; this forms a deeper recess. More installation depth allows continuous edge reinforcement in front of the HBJ.

The installation recesses in walls can be filled after final adjustment if no interior floors are planned and an aesthetical finish is required.



HALFEN HBJ-W BETOJUSTER

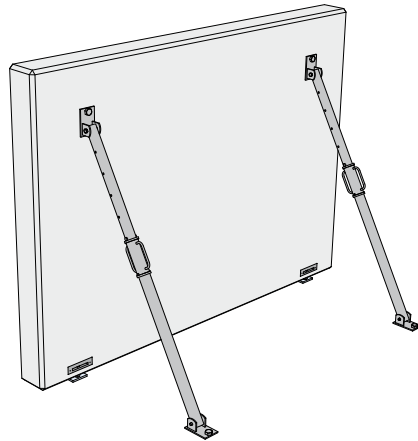
Assembly and Application

On-site assembly

► The wall is initially installed by crane and secured with shoring. The shoring elements support the stresses caused by eccentric forces during installation. The provided pressure distribution blocks are placed under the individual HBJ.



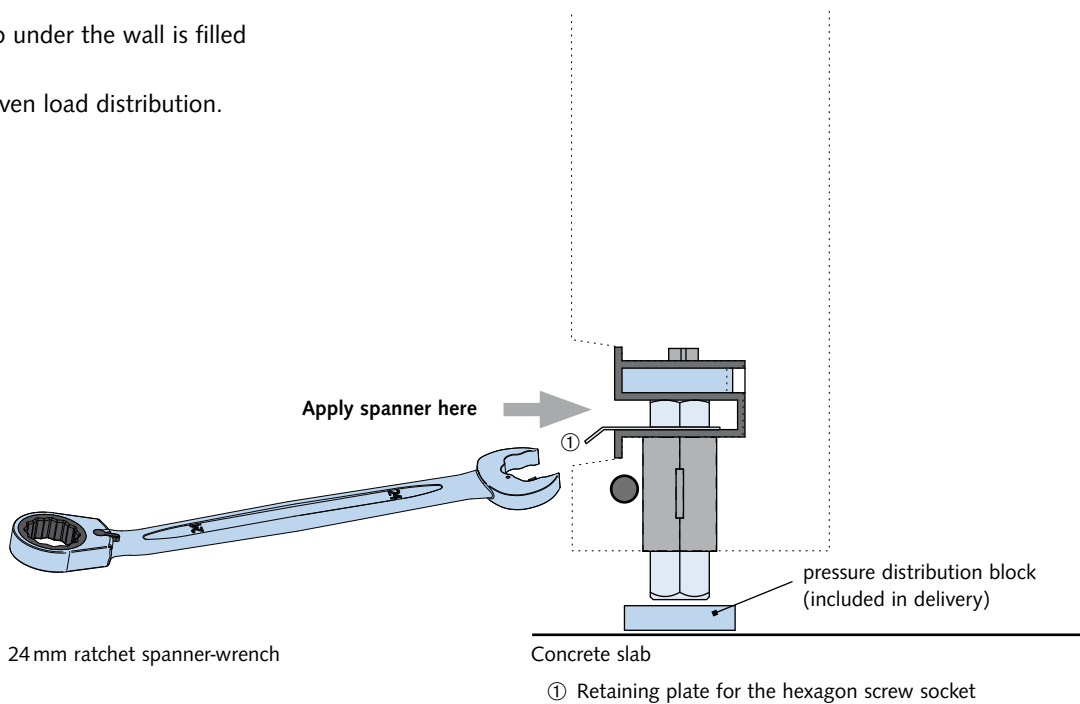
Construction elements must be properly secured



► Both HBJ are adjusted until the side joints are parallel, the wall is horizontal aligned and the desired wall height has been reached. Finally the gap under the wall is filled with grout. This ensures even load distribution.



Construction elements must be properly secured



HALFEN HBJ-S BETOJUSTER

Advantages at a Glance

HALFEN HBJ-S - Betojuster for columns

The HALFEN HBJ-S Betojuster is the ideal device for adjusting and aligning concrete elements:

- precast reinforced concrete columns with formed foundation
- road surface- and railway-platform slabs
- stairs
- precast foundations

The HBJ Betojuster provides the building contractor with an easy and therefore a safe method for precise vertical adjustment of columns and slabs without using shims or wedges.

Two variants of HBJ-S Betojuster are available. HBJ-S-V for vertical assembly and HBJ-S-H for horizontal assembly into formwork.

Both variants are available in two load ranges:

- HBJ-S-V-6,0 and HBJ-S-H-6,0: load range 6.0 for columns up to approximately 26 t
- HBJ-S-V-10,0 and HBJ-S-H-10,0: load range 10.0 for columns up to approximately 50 t

In stairs or railway-platform and road slabs the nominal load capacity should be 6.0 (10.0) t for each betojuster.

Advantages:

- less excavation required for column foundations
- less work and material required for grouting
- smaller auxiliary space required; less backfill and compacting required
- once in position, elements can be aligned without a crane; crane-time is optimised
- precise adjustment with minimal effort
- adjustable range approx. 100 mm
- adjustment is with a standard hexagon socket
- narrow section foot fits between dense reinforcement
- top-adjustment means hazard safe installation
- straightforward assembly near to building extensions and edges

HBJ-S Betojuster

Article no. 0420.040-

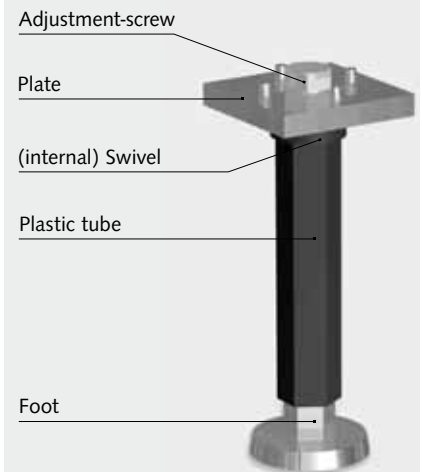
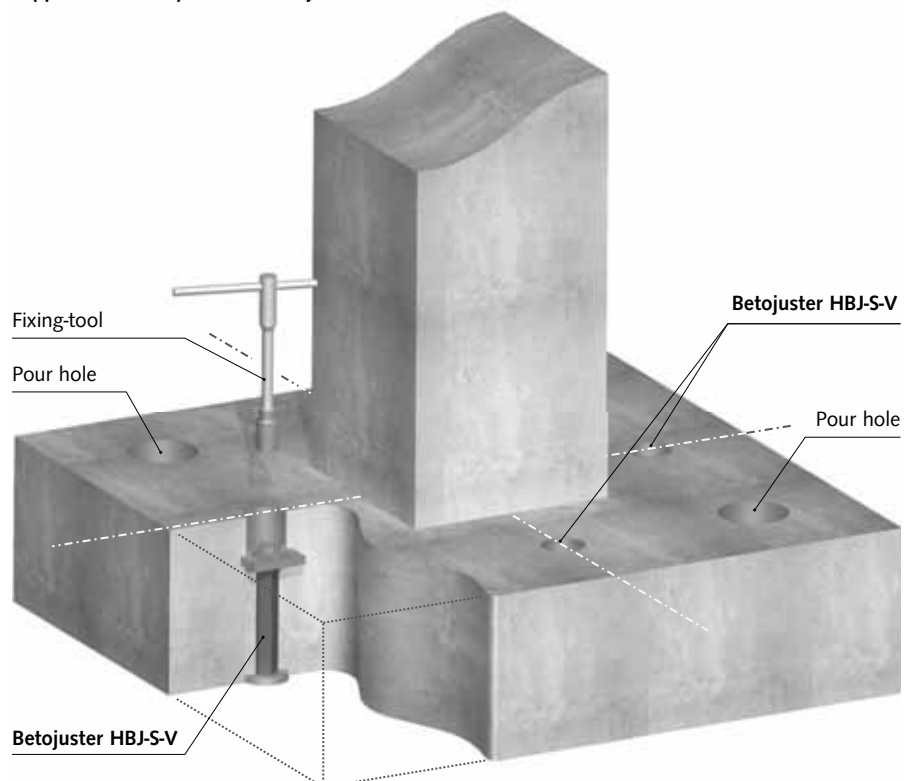


Fig.: HBJ-S-V

Application example HBJ-S Betojuster in columns



Recess-tube for screw-access

Article no. 0420.059-00001



Fig.: Length according to customer's specifications Pipe 63 x 2 mm

HALFEN HBJ-S BETOJUSTER

Product Overview

Technical data

HALFEN HBJ-S		HBJS-V-6,0	HBJS-V-10,0
types		HBJS-H-6,0	HBJS-H-10,0
element height	h [mm]	183	
adjustment range	Δh [mm]	+100	
minimum foundation height	D_f [mm]	250	280
minimum blinding layer height	d_n [mm]	120	150
maximum column weight	[kN]	260	500
minimum width	b_{min} [mm]	30	42
wrench size (adjustment-screw)	SW [mm]	24	30
load capacity for each Betojuster	F [kN]	60	100
	F_D [kN]	81	135

*with C30/37

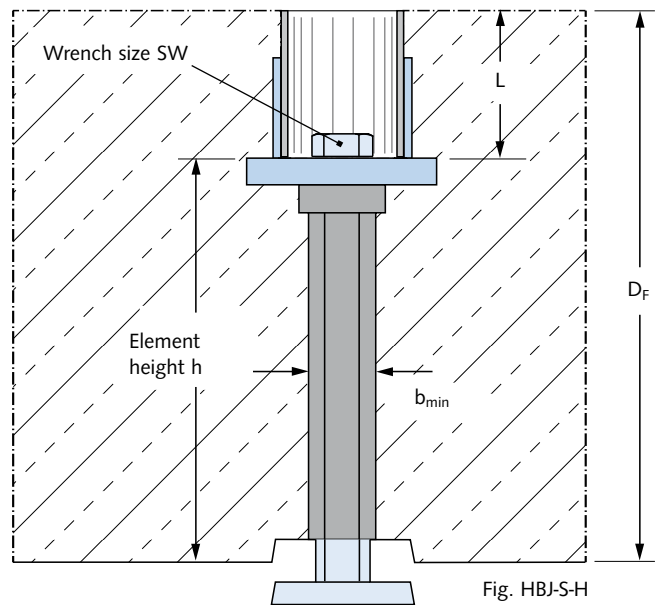


Fig. HBJ-S-H

Order information

HALFEN HBJ-S Betojuster		
	Item name	Article no.
	HBJS-V-6,0	0420.040-00001
	HBJS-V-10,0	0420.040-00002
	HBJS-H-6,0	0420.040-00003
	HBJS-H-10,0	0420.040-00004
	Recess-tube Length L [mm] state details please: $L = D_f - 183$ mm, D_f = Foundation height	0420.059-00001
	Locking cap	0420.050-00001

HALFEN HBJ-S BETOJUSTER

Assembly and Application

Precast plant assembly

Placement in the column foundation

- Ideal placement of the HBJ-S elements is in the adjustment axes. Four per column centred between column-edge and foundation-edge.

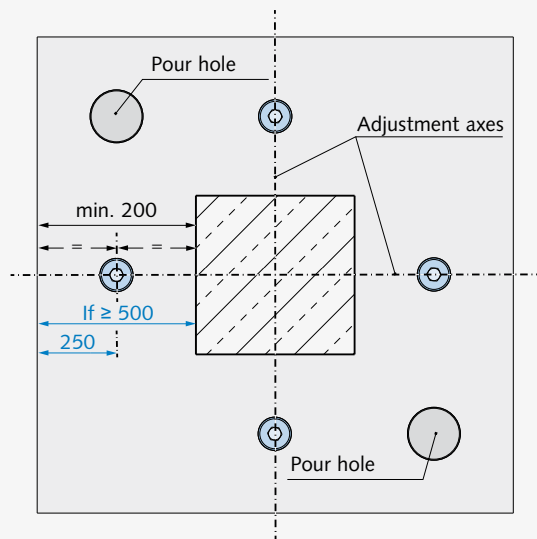


Fig.: HBJ-S-H [mm]

Arrangement of reinforcement bars

Depending on the load range, the HBJ-S requires a gap of b_{min} between the reinforcement bars in the column foundation.

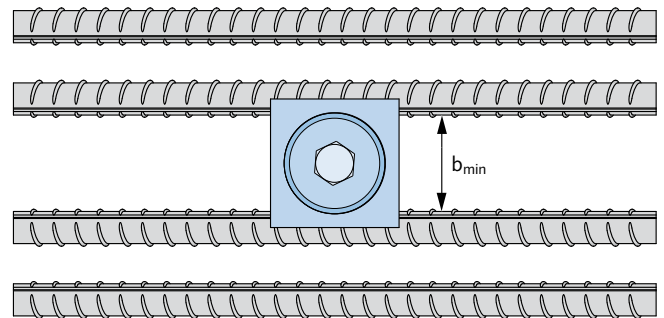


Fig.: HBJ-S-H

Reinforcement distance b_{min} HBJ-S	
Load range	b_{min} [mm]
6.0	30
10.0	42

- Application with three HBJ-S parts is also possible.

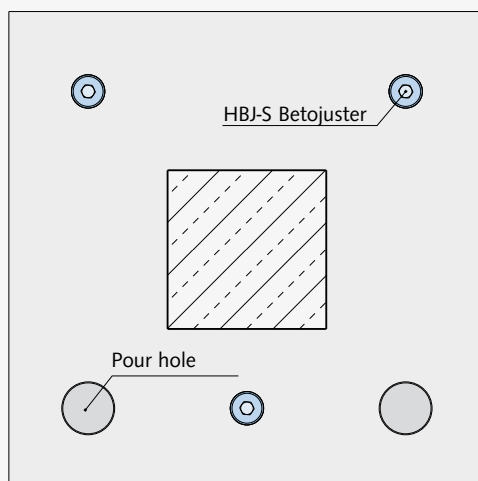
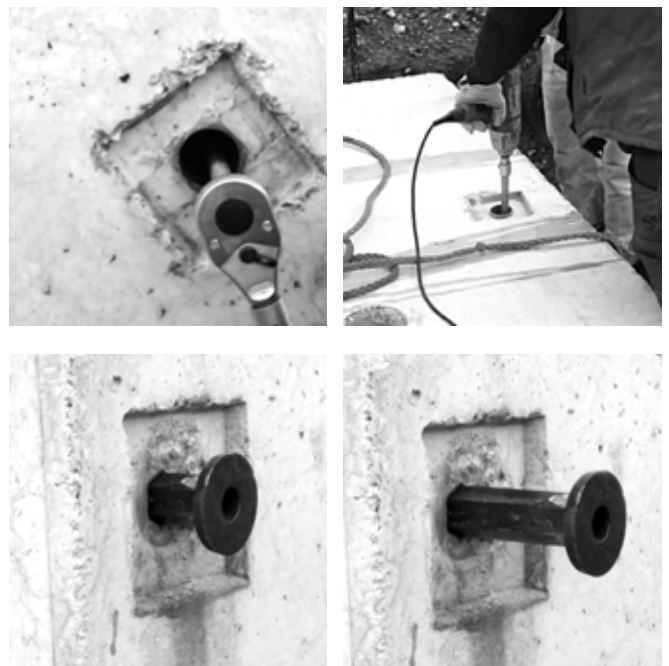


Fig.: HBJ-S-H

Easy to use – Freely adjustable



HALFEN HBJ-S BETOJUSTER

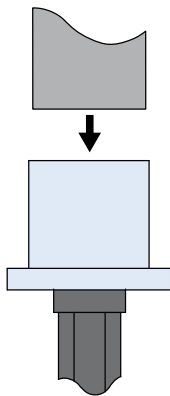
Assembly and Application

Precast plant assembly – variants

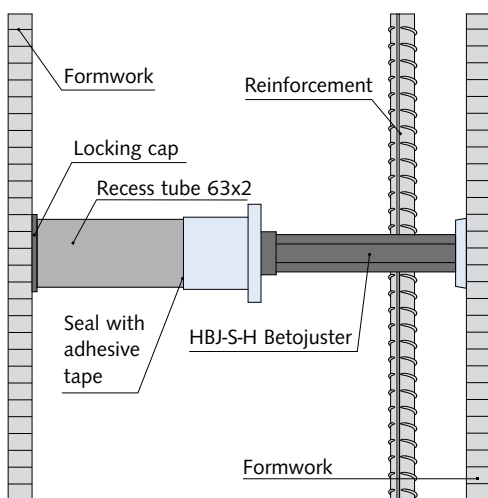
Horizontal assembly HBJ-S-H

- Fix the recess tube 63x2 into the sleeve on the top of the HBJ-S-H Betojuster

HBJ-S-H



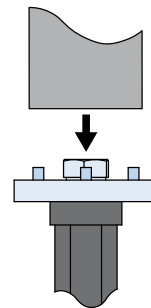
- The preassembled element is fixed between the column foundation formwork.



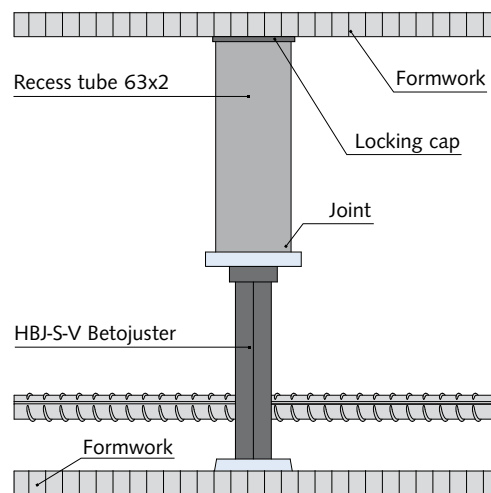
Vertical assembly HBJ-S-V

- Fix the recess tube 63x2 to the four bolts on the HBJ-S-V Betojuster

HBJ-S-V



- The preassembled element is fixed between the column foundation formwork.



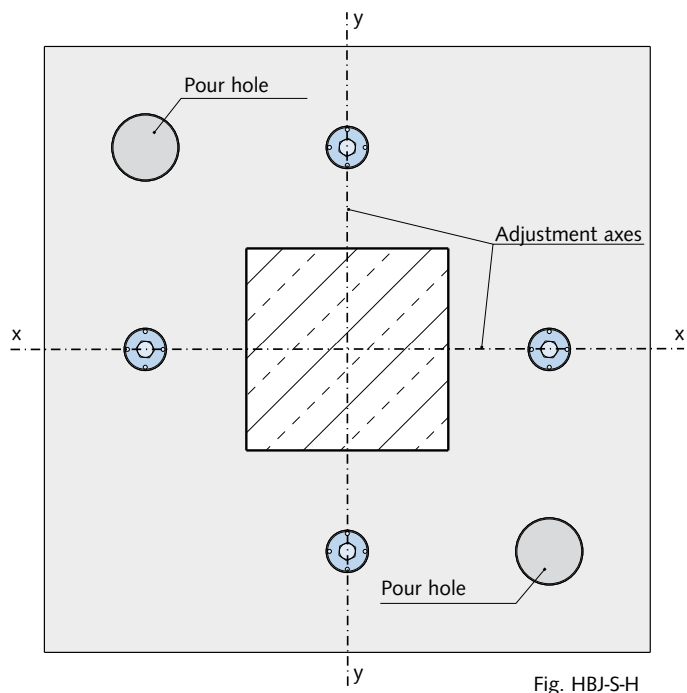
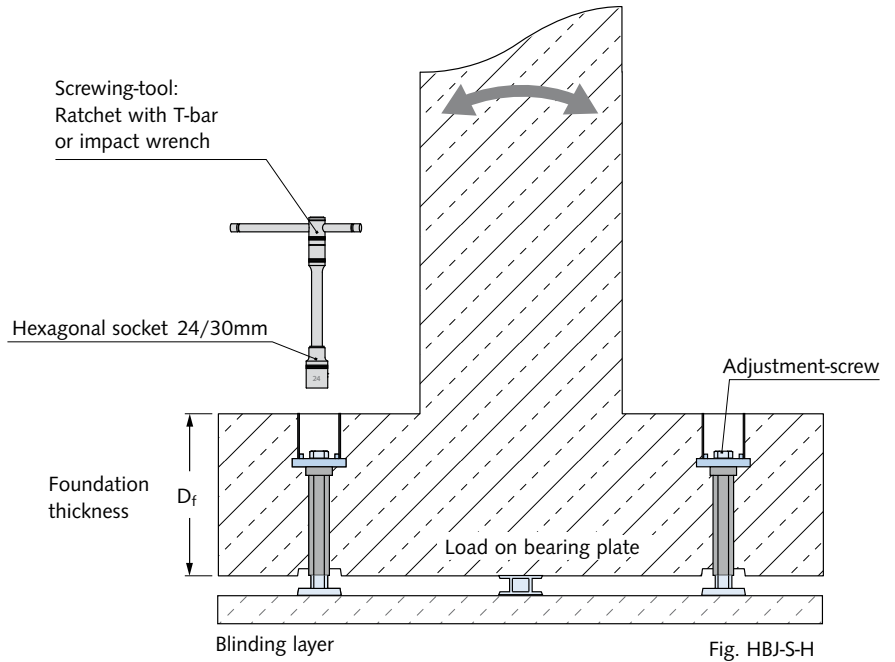
- Prior to pouring concrete the joint between recess tube and plate must be sealed.

HALFEN HBJ-S BETOJUSTER

Assembly and Application

On-site assembly

- ▶ The crane lifts the column into position with the weight of the column resting on a central pin or bearing-plate.
- ▶ Adjustment is carried out by first tilting the column in one axis by turning (clockwise or anti-clockwise) one HBJ-S on this axis. The foot moves out of the tube by turning the adjustment-screw **anti-clockwise**.
- ▶ Next the column position is secured by turning the second HBJ-S on this axis evenly onto the blinding layer. Adjusting in the other axis is done according to the same principle.
- ▶ When adjustment is completed, flowing concrete is poured through one pour hole until the level in the second pour hole increases. After the concrete has cured, a positive connection and even distribution of the load into the substrate is ensured.



Please note:

If a blinding layer has not been planned a concrete or a steel-bearing-plate can be used.

Important: substrate and bearing-plates must be suitable for pressure loads of 6.0t (10.0t) !

CONTACT HALFEN WORLDWIDE

HALFEN is represented by subsidiaries in the following countries, please contact us!

Austria	HALFEN Gesellschaft m.b.H. Leonard-Bernstein-Str. 10 1220 Wien	Phone: +43-1-259 6770 E-Mail: office@halfen.at Internet: www.halfen.at	Fax: +43-1-259-677099
Belgium / Luxembourg	HALFEN N.V. Borkelstraat 131 2900 Schoten	Phone: +32-3-658 07 20 E-Mail: info@halfen.be Internet: www.halfen.be	Fax: +32-3-658 15 33
China	HALFEN Construction Accessories Distribution Co.Ltd. Room 601 Tower D, Vantone Centre No. A6 Chao Yang Men Wai Street Chaoyang District Beijing · P.R. China 100020	Phone: +86-10 5907 3200 E-Mail: info@halfen.cn Internet: www.halfen.cn	Fax: +86-10 5907 3218
Czech Republic	HALFEN s.r.o. Business Center Šafránkova Šafránkova 1238/1 155 00 Praha 5	Phone: +420 - 311-690 060 E-Mail: info@halfen-deha.cz Internet: www.halfen-deha.cz	Fax: +420-235-314 308
France	HALFEN S.A.S. 18, rue Goubet 75019 Paris	Phone: +33-1- 445231 00 E-Mail: halfen@halfen.fr Internet: www.halfen.fr	Fax: +33-1-445231 52
Germany	HALFEN Vertriebsgesellschaft mbH Liebigstr. 14 40764 Langenfeld	Phone: +49-2173-970-0 E-Mail: info@halfen.de Internet: www.halfen.de	Fax: +49-2173-970 225
Italy	HALFEN S.r.l. Soc. Unipersonale Via F.lli Bronzetti N° 28 24124 Bergamo	Phone: +39-035-0760711 E-Mail: tecnico@halfen.it Internet: www.halfen.it	Fax: +39-035-0760799
Netherlands	HALFEN b.v. Oostermaat 3 7623 CS Borne	Phone: +31-74-267 14 49 E-Mail: info@halfen.nl Internet: www.halfen.nl	Fax: +31-74-267 26 59
Norway	HALFEN AS Postboks 2080 4095 Stavanger	Phone: +47-51 82 34 00 E-Mail: post@halfen.no Internet: www.halfen.no	Fax: +47-51 82 34 01
Poland	HALFEN Sp. z o.o. Ul. Obornicka 287 60-691 Poznan	Phone: +48-61-622 14 14 E-Mail: info@halfen.pl Internet: www.halfen.pl	Fax: +48-61-622 14 15
Spain	HALFEN Spain PLAKABETON S.L. Polígono Industrial Santa Ana c/ Ignacio Zuloaga 20 28522 Rivas-Vaciamadrid	Phone: +34 916 669 181 E-Mail: info@halfen.es Internet: www.halfen.es	Fax: +34 916 669 661
Sweden	Halfen AB Vådursgatan 5 412 50 Göteborg	Phone: +46-31-98 58 00 E-Mail: info@halfen.se Internet: www.halfen.se	Fax: +46-31-98 58 01
Switzerland	HALFEN Swiss AG Hertistrasse 25 8304 Wallisellen	Phone: +41-44-849 78 78 E-Mail: info@halfen.ch Internet: www.halfen.ch	Fax: +41-44-849 78 79
United Kingdom/ Ireland	HALFEN Ltd. A1/A2 Portland Close Houghton Regis LU5 5AW	Phone: +44 -1582- 47 03 00 E-Mail: info@halfen.co.uk Internet: www.halfen.co.uk	Fax: +44- 1582-47 03 04
United States of America	HALFEN USA Inc. PO Box 18687 San Antonio TX 78218	Phone: +1 800.423.91 40 E-Mail: info@halfenusa.com Internet: www.halfenusa.com	Fax: +1 877.683.4910
For countries not listed HALFEN International	HALFEN International GmbH Liebigstr. 14 40764 Langenfeld /Germany	Phone: +49 -2173-970-0 E-Mail: info@halfen.com Internet: www.halfen.com	Fax: +49-2173-970-849

NOTES REGARDING THIS CATALOGUE

Technical and design changes reserved. The information in this publication is based on state-of-the-art technology at the time of publication. We reserve the right to make technical and design changes at any time. HALFEN GmbH shall not accept liability for the accuracy of the information in this publication or for any printing errors.

The Quality Management System of HALFEN GmbH is certified for the locations in Germany, France, the Netherlands, Austria, Poland, Switzerland and the Czech Republic according to **DIN EN ISO 9001:2015**, Certificate No. 202384-2016-AQ-GER-DAkks.





For further information please contact: www.halfen.com