

TORMAX TRP – Revolving Door Drive



« The ideal drive for **large** and **heavy** revolving doors with 3 and 4 leaves.
Integrated security features ensure personal safety in any situation.»

★★★★★
TORMAX
AUTOMATIC

Product Information

TORMAX TRP – Revolving Door Drive



Area of application

- Revolving doors with 3 and 4 leaves and diameter of approx. 4000 to 6000 mm, depending on the revolving door type
- Revolving doors for indoor and outdoor use

Functionality

- 5 operating modes (NIGHT, TURN, AUTO, EXIT, MANUAL)
- Individual on-the-spot programming possible, e.g. motion control, rotational speed, alarms

Safety features

- Dynamic power limit
- Configurable safety sensors
- Integrated overwind safety, also in current-less state
- Emergency brake
- Starting safety and recognition of obstacles

Technology

- Electromechanical revolving door drive
- Programmable and self-learning control system

Accessories

- Electromagnetic lock
- Key switch
- Battery module for emergency opening
- Emergency-off switch

Dimensions

- Operator dimensions
W 541 × H 145 × D 150 mm

Mains connection

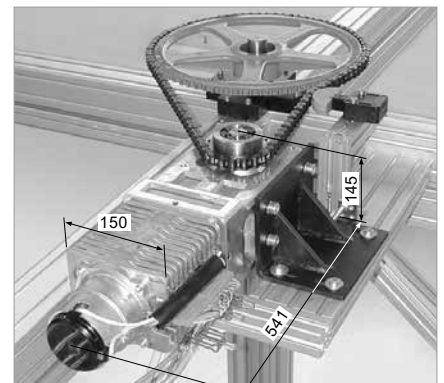
- 230 or 115 VAC 50/60 Hz

Power consumption

- Max. 380 W

Approvals (directives, standards)

- CE conformity
- EN 60335-1/A2: 2006
- DIN 18650-1: 2010
- DIN 18650-2: 2010



Motor-gear unit with sprocket wheel set

