

# Coursing Units



Coursing units are produced from the same material and are suitable for all the same applications as conventional size Celcon Blocks, allowing consistency within the building fabric.



They are suitable for use both externally and internally in loadbearing and non-loadbearing situations.

Loadbearing walls should not be constructed of Coursing Units as the only masonry unit.

## Applications

- Protect against cold bridging
- Infill above doors and windows
- Coursing at floor and ceiling level
- Making up between joists



Coursing Units



# Coursing Units

Face size	Coursing Units 215mm x 65mm		
Unit Thickness (mm)	100	140	150
Standard Coursing Unit Weight (kg) <sup>†</sup>	1.1	1.5	1.6
High Strength Coursing Unit Weight (kg) <sup>†</sup>	1.5	2.0	2.1
Super Strength Coursing Unit Weight (kg) <sup>†</sup>	1.5	2.0	2.1

† Block weights at typical moisture content when laid. (Some manufacturers may quote weights which have not allowed for this.)

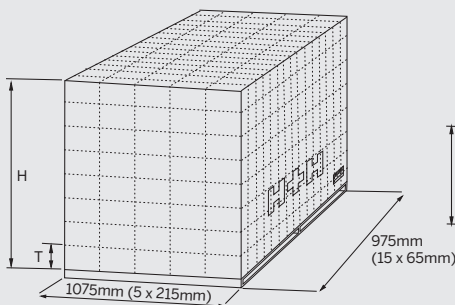
All shaded areas indicate that the product is a stock item. Other sizes can be made to order subject to minimum quantities.

	Standard Grade	High Strength Grade	Super Strength Grade
Compressive Strength	3.6N/mm <sup>2</sup>	7.3N/mm <sup>2</sup>	8.7N/mm <sup>2</sup>

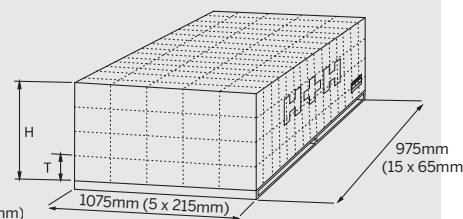
Pack Information	215 x 65mm face size		
Block Thickness (mm) = T	100	140	150
Coverage per pack (m <sup>2</sup> ) – 10mm joint	10.1	5.1	5.1
Coverage per pack (m <sup>2</sup> ) – 2mm joint	8.7	4.4	4.4
Pack height (mm) = H	800	560	600
Number of units per pack	600	300	300
Pack weight – Standard Grade (kg)*	645	455	485
Pack weight – High Strength/Super Strength (kg)*	870	610	650

\* Pack weight excludes pallet.

**Celcon Coursing Units**  
(215mm x 65mm x 100mm)



**Celcon Coursing Units**  
(215mm x 65mm)



For further information and to check our most up-to-date product range, or to find your nearest stocking merchant, please visit our website [www.hhcelcon.co.uk](http://www.hhcelcon.co.uk) or contact the following departments:

**Sales**

For sales enquiries or to find your local stockist please contact  
Tel: 01732 886444  
Fax: 01732 887013

**Technical**

For technical enquiries please contact  
Tel: 01732 880580  
Fax: 01732 887013