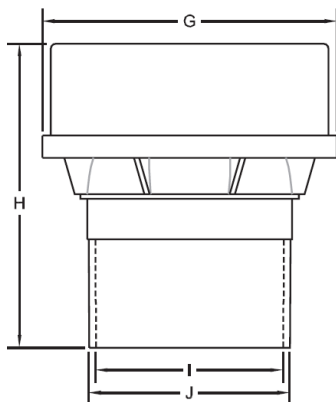


Maxi-filtra

PRODUCT CODE: 8F-STU019-BLK



Features
Size: 110mm
Push-fit connection requires no specialist installation
Installed externally
For use in domestic and commercial buildings
Robust two-way vent
Eliminates bad odours with a sturdy filter
Very robust exterior for longevity
Can be retrofitted to troubleshoot odours in existing building drainage
Easy maintenance by lifting cap
Resistant to extreme temperatures (-20°C to +60°C)



Size	G	H	I	J
110mm	130	131	83	89

Sales hotline
01622 852 654

Support hotline
01622 852 798

Email
info@multikwik.com

WWW.MULTIKWIK.COM

Twitter  @multikwik

TRUST MULTIKWIK

