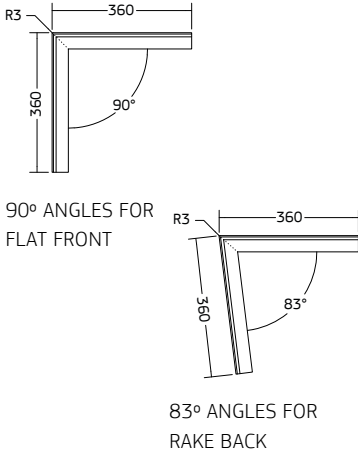


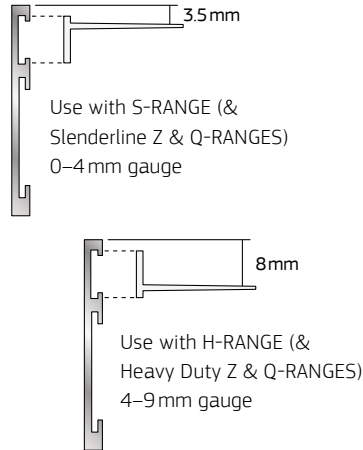
## UTA & UTP STAIRWAY TRIMS

NEW



1

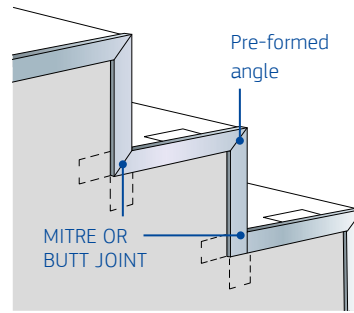
BOX CONTENTS: 20 pre-formed cleated aluminium (UTA) or welded PVCu (UTP) angles either 90° or 83° as ordered. Plus 40 universal Tabs included.



2

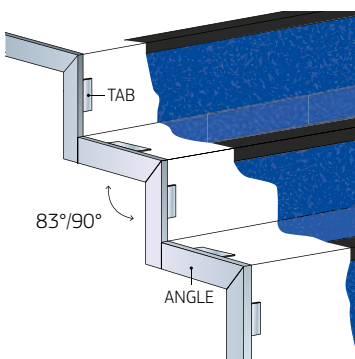
Establish floorcovering depth required and invert tab position as required.

Slide the Tab into the groove on the reverse of the trim (position centrally and ensure Tab is the right way up for the required depth). Repeat for the vertical flange.



3

Loosely position adjacent trims on the side of the steps and scribe the back edge of each angle to form a butt or mitred angle with its neighbour. Cut with a chop saw.



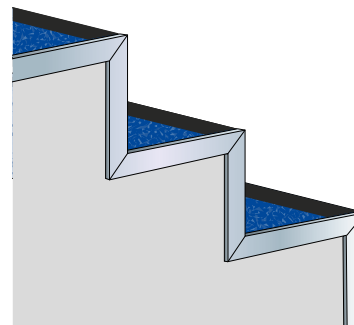
4

Fit trims before floorcoverings and Stair Nosings.



5

Once angles have been trimmed to fit, fix to side of steps using Q-FIX adhesive. The Tabs locate trims for correct depth.



6

Fit floorcovering and Stair Nosing to finish.