

USER GUIDANCE NOTES – SG1, SG2 and SG3 TEMPORARY INSTALLATION ONLY

Shorguard guardrail systems are designed to provide safe and secure edge protection and must be installed following the procedures and guidance stated in this leaflet. J.P.Whelan cannot be held responsible for any accidents arising as the result of incorrect installation.

These notes should be read in conjunction with the illustrations on the reverse of this leaflet.

1. Prior to erecting any edge protection system all erectors must be wearing a harness connected to a secured lifeline.
2. Position the Shorguard units at a maximum of 2.00 metre centres, ensuring the clamping jaws have full bearing on to the structure.
3. When clamping to formwork timbers ensure the Shorguard units are cramped tight with full bearing. When clamping to a steel structure use ply packers to the top and underside to ensure a secure connection.
4. All wing nuts, collars and threaded spindles should be tightened by hand as tight as possible and finally tightened using a short bar or tube at the locking handle.
5. Position the guardrail tubes. You should only use scaffold tube handrails which meet the requirements of BS 1139.
6. Scaffold coupler nuts should be tightened to firmly hold the handrail tube but not to indent or damage the tube or coupler.

Note - Bent or damaged materials should never be used.

7. Toe boards must be provided on flat slabs where there is a risk of debris being pushed over. Toe boards should be positioned into locators and should lap by a minimum of 300mm and to be restrained at both ends.
8. All threaded parts should be kept clean and lubricated from time to time.
9. A responsible person should check weekly the tightness of all threaded parts. This is particularly important in the vicinity of vibration. If necessary there is the following facility in the top clamping plate of the SG1 and SG3 i.e. an M16 hole for securing the post to the structure.
10. Materials must never be stacked against temporary guardrails.
11. A partially erected guardrail must never be left unattended until erection is complete. Use the Scaff Tag system or similar for checking/inspections.
12. When dismantling a guardrail system never drop the components to the ground.
13. Guardrails are intended to prevent personnel accidentally falling. Signs and banners can produce high wind loadings and should never be attached to guardrails unless specifically designed for such a purpose.



Safe and Secure Edge Protection

SG1

1. For slabs up to 500mm deep.
2. Guardrails located at the correct height.
3. Toe Board location with provision for overlapping.
4. M16 hole in top clamping plate to facilitate additional fixing as necessary.

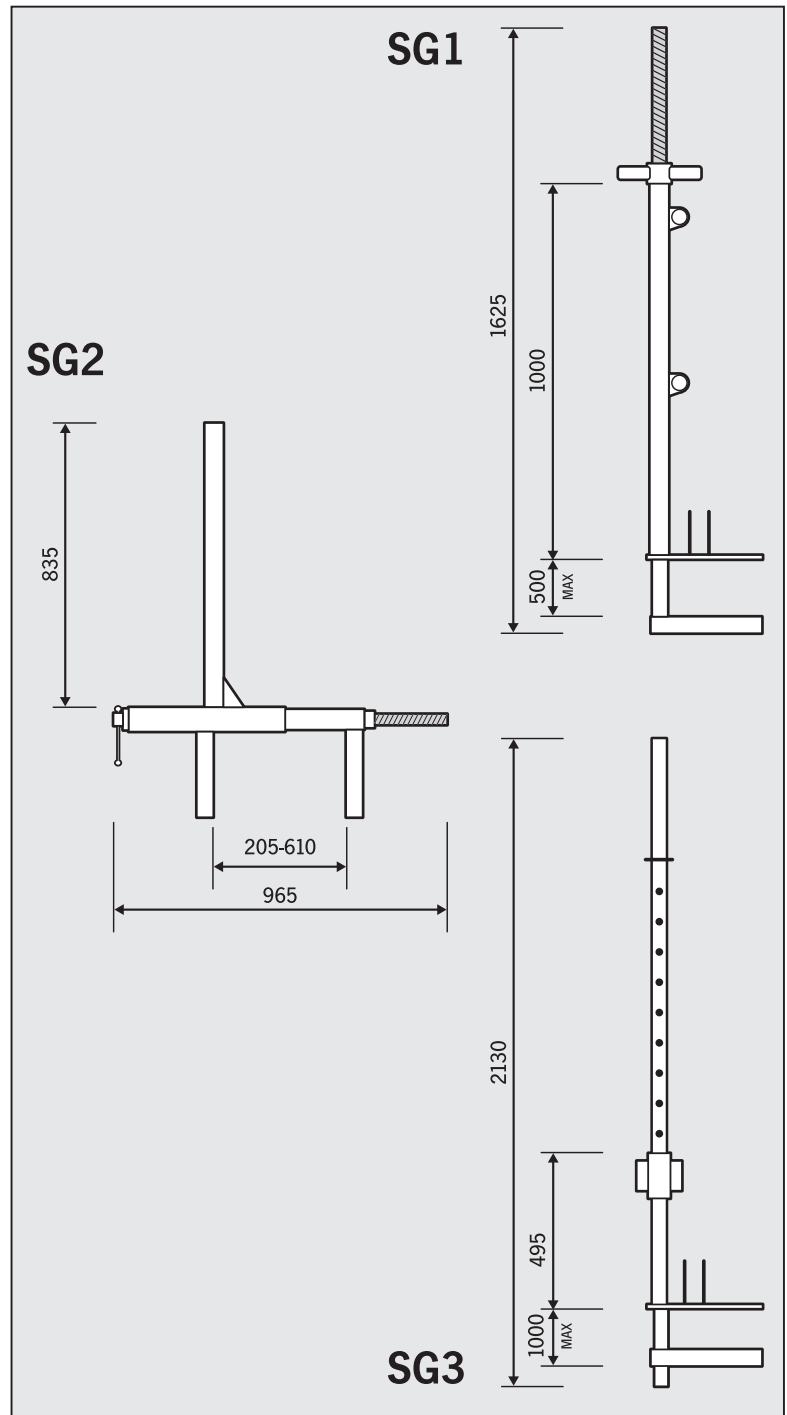
SG2

1. For parapet and upstand beams from 205-610mm.
2. Allows for vertical extension with standard tube and fittings.
3. Handrails connected to SG2 with double couplers located to suit.

SG3

1. For slabs up to 1000mm deep.
2. Compatible with SG1.
3. Allows for vertical extension with standard tube fittings.
4. Variable handrail positions.
5. Handrails connected to SG3 with double couplers on the inner and prop to tube coupler.
6. Toe Board location with provision for overlapping.
7. M16 hole in top clamping plate to facilitate additional fixing as necessary.

Note: Separate User Guidance Notes are available for the SG4 Permanent System



If you are in doubt how exactly to install any of these systems you should ask your site manager/engineer for further guidance or contact Whelan Plant direct on 01959 571788.

J P Whelan Plant, Skid Hill Lane, Chelsham, Warlingham, Surrey CR6 9PP

Tel: 01959 571788/9 Fax: 01959 571068 Website: www.shorguard.co.uk Email: info@shorguard.co.uk



Tested and approved

The Shorguard range has been independently tested by Lloyd's Register. All the systems comply with The Construction (Health, Safety and Welfare) Regulation 1996 Schedule 1 and EN13374 "Temporary Edge Protection Systems". Shorguard SG1, SG2, SG3 comply fully with BS 6180, 1982. SG4 complies with the requirements of section 6 of the Health & Safety at Work Act 1974



Safe and Secure Edge Protection