

### Length

The urinal is available in five standard lengths: 1200 mm, 1500 mm, 1800 mm, 2100 mm and 2400 mm. Alternatively any special length up to 2400 mm. Lengths over 2400 mm can be supplied as multiple units with joint cover trim for abutting ends.

### Waste Outlet

All urinals are supplied with a 50 mm (2") BSP dome grated waste fitting positioned at either the right or the left hand end (as viewed facing the unit).

### Flushing System

All urinals are fitted with a perforated sparge system concealed within the units' construction. The sparge pipe connection to the flushpipe can be top entry for an exposed surface mounted cistern (see fig 1) or back entry for a concealed duct mounted cistern (see fig 2).

### Flushpipe

Urinals are supplied with 22 mm diameter stainless steel flushpipes and wall fixing clips. The length of each flushpipe allows for its cistern to be mounted at the maximum recommended height.

### Cistern

All urinals are supplied with plastic or optional stainless steel automatic flushing cisterns. Each cistern is complete with lid, syphon and petcock. The recommended mounting height is 1800 mm minimum and 2000 mm maximum from the underside of the cistern to finished floor level.

### Cistern Capacity

Urinal length	-1200 mm	-1201-2400 mm
Cisterns	-1 x 9.0 litre	-1 x 13.65 litre

### Product Code Selection for Order or Quotation

#### 1. Base product code

- 066 floor recessed slab urinal

#### 2. Length

- |                                |   |
|--------------------------------|---|
| <input type="checkbox"/> -1200 | <input type="checkbox"/> -2100                          |
| <input type="checkbox"/> -1500 | <input type="checkbox"/> -2400                          |
| <input type="checkbox"/> -1800 | <input type="checkbox"/> -special (please specify)..... |

#### 3. Outlet (as facing)

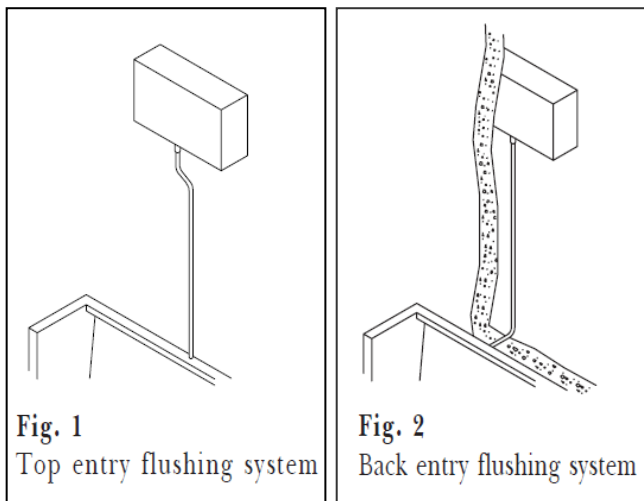
- |   |  |
|---|--|
| <input type="checkbox"/> -R -Right hand | <input type="checkbox"/> -L -Left hand |
|---|--|

#### 4. Flushing System

- |  |  |
|--|--|
| <input type="checkbox"/> -TE -Top entry                          | <input type="checkbox"/> -BE -Back entry |
| <input type="checkbox"/> -S -Special (supply dimensioned sketch) |  |

#### 5. Options

- 131 -stainless steel cistern  
 -JT -joint cover trim  
 -CS -corner infill section



As improvements in the design and performance of Acorn Thorn Limited products is continuous specifications may be subject to change without notification.