

Schlüter®-BARA-RAM

Edging profile
fixed into screed bed

5.6

Product data sheet

Application and Function

Schlüter®-BARA-RAM is a finishing profile with an integrated drip lip for the exposed edges of floor assemblies on balconies and terraces. The profile is installed during the application of the sloping screed and can be used as a screeding guide.

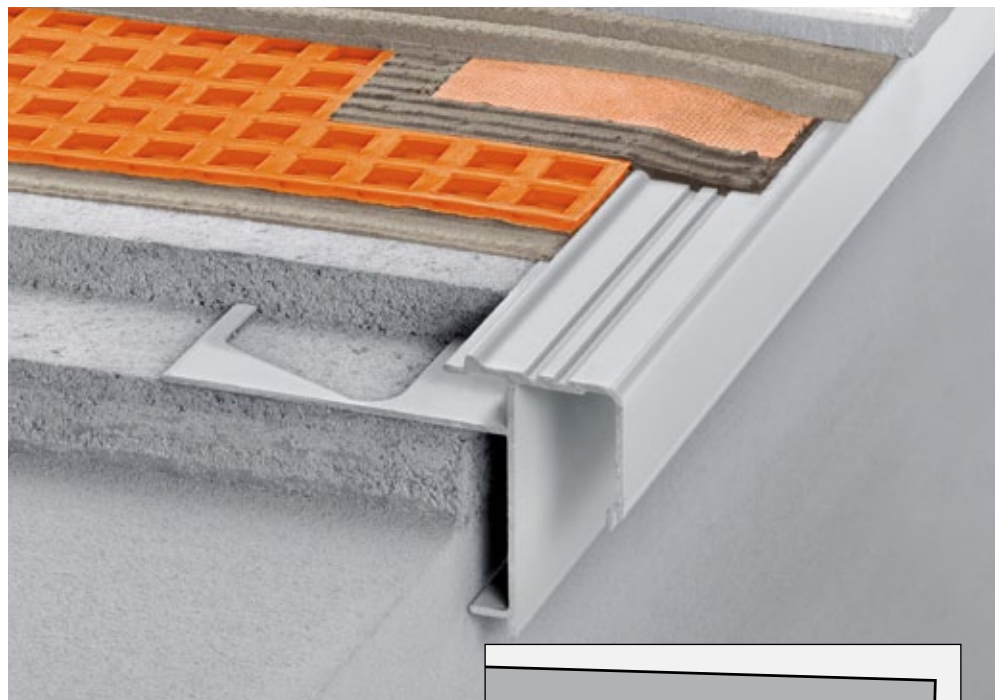
The projecting bonding flange is recessed to allow for the use of the Schlüter®-RONDEC or Schlüter®-JOLLY protective edge profiles, which are available in the same colours as the balcony edging profile.

The trapezoid perforated anchoring leg of Schlüter®-BARA-RAM is placed on a thin layer of fresh mortar and adjusted to the proper height and alignment. Then, additional fresh mortar is firmly packed over the anchoring leg. To provide for the subsequent installation of Schlüter®-DITRA 25, screed the packed mortar 3 mm below the upper edge of the profile.

Schlüter®-DITRA 25 can be installed as a waterproofing membrane as soon as the screed is ready for foot traffic. Trowel applied waterproof membranes from other manufacturers or waterproofing layers according to DIN 18195-5, can be utilised as well. In each of these applications, the sloping screed is placed flush with the upper edge of Schlüter®-BARA-RAM.

Material

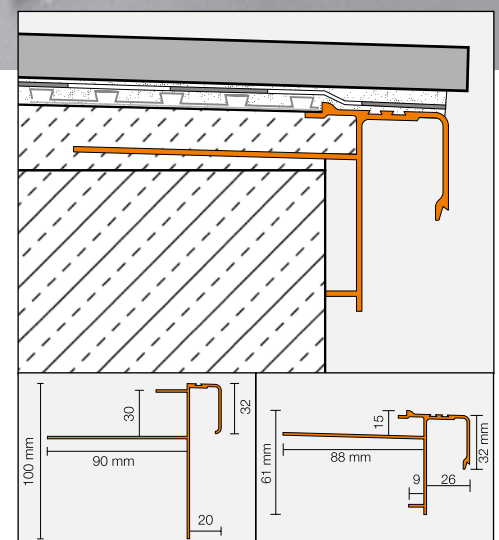
Schlüter®-BARA-RAM is made of pre-treated (chromated), colour coated aluminium.



Material properties and areas of application

The coating of the aluminium profile is colourfast, weather and UV resistant. Visible surfaces should be protected against abrasion.

In special cases, the suitability of Schlüter®-BARA-RAM must be verified based on the anticipated chemical, mechanical, and/or other stresses.





Installation

1. Set the anchoring leg of Schlüter®-BARA-RAM along the exposed edge of the structural slab in a thin mortar bed; align horizontally and vertically, and fix into position.
2. To integrate the Schlüter®-DITRA 25 waterproofing membrane, apply mortar at the necessary slope to the height of the small horizontal flange, which is directly above the anchoring leg and 3 mm below the upper lip of the profile, ensuring that the mortar is well compacted. Schlüter®-DITRA 25 can be installed as a waterproofing membrane as soon as the screed can be walked upon, while observing the manufacturer's instructions included in product data sheet 6.1. Schlüter®-DITRA 25 must abut the profile edge. Use Schlüter®-KERDI to join the matting with the profile. Use the sealing adhesive Schlüter®-KERDI-COLL or the installation adhesive Schlüter®-KERDI-FIX to attach the sealing tape with an overlap of at least 5 cm on Schlüter®-DITRA 25 and to the undercut profile of the protruding adhesive flange of Schlüter®-BARA-RAM. The tiles may now be set directly using a thin adhesive bed. Tiles should extend to the front edge of the covering assembly so that they are approximately flush with the drip lip of Schlüter®-BARA-RAM. If the Schlüter®-RONDEC or Schlüter®-JOLLY protective edge profile is used, apply tile adhesive on top of Schlüter®-KERDI and solidly embed the profile.

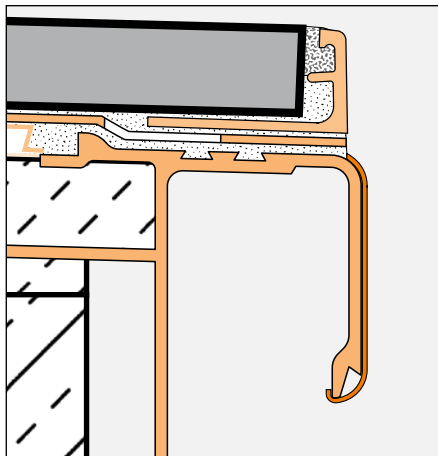
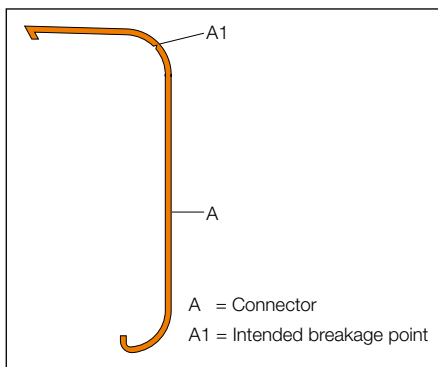


Illustration 1

3. If trowel applied, bonded waterproof membranes are used, the sloped screed must be flush with the upper profile edge of Schlüter®-BARA-RAM. The bonded waterproof membrane is carried over the cut back ribs of the projecting bonding flange. Observe manufacturer's instructions for installing bonded waterproof membranes.

4. For waterproofing layers in accordance with DIN 18195, the sloped screed must be applied flush with the upper profile edge of Schlüter®-BARA-RAM. After the sloped screed has cured, the membrane is carried over the cut back ribs of the projecting bonding flange and adhered, ensuring a watertight connection.
5. Over waterproof layers in accordance with DIN 18195-5, an assembly conforming to norms and standards currently in effect is applied. This can be the application of a drainage layer with subsequent installation of a load distribution or gravel layer, or large format surface coverings supported by pedestals.
6. Note: Prefabricated corners and connectors are available for inside and outside corners. About the profile ends of Schlüter®-BARA-RAM, leaving approx. a 5 mm wide joint. Cover the joint with the snap-on connector. When using an edge protection profile, the connector should be shortened at the intended breakage point and adhered to the edge profile using a suitable silicone, (see illustration 1). All current installation instructions and manufacturer's guidelines for the covering type must be observed. All materials must be weather resistant, waterproof, and suitable for outdoor areas.

Maintenance

Schlüter®-BARA-RAM requires no special maintenance or care. The coated surface of the aluminium profile is colourfast and UV resistant. Damaged visible surfaces can be restored with paint.

5.6 Schlüter®-BARA-RAM



Illustration 1

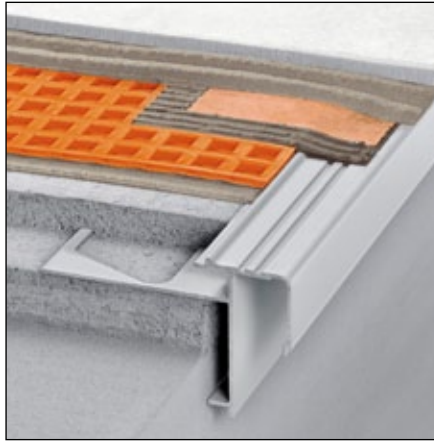
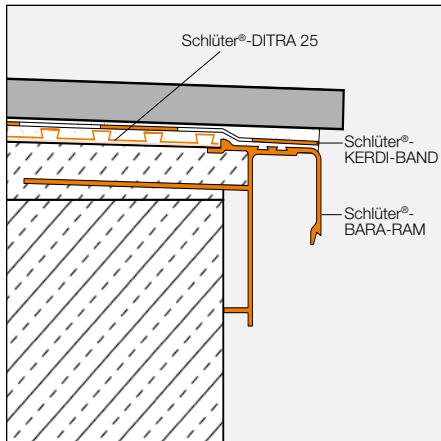
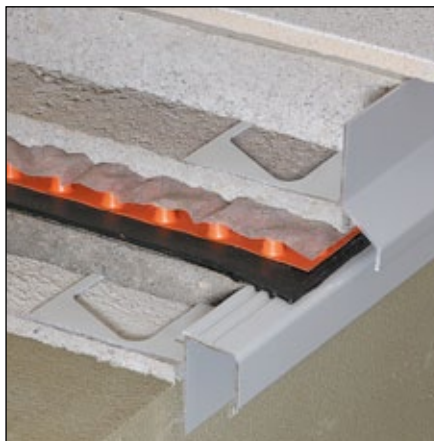
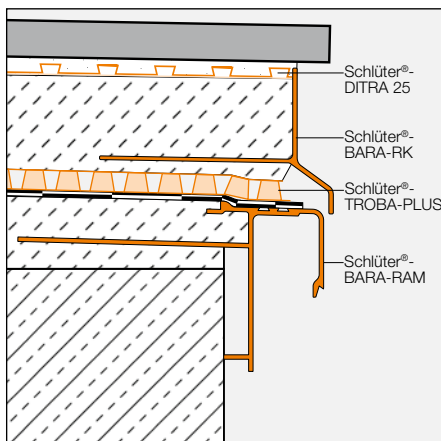
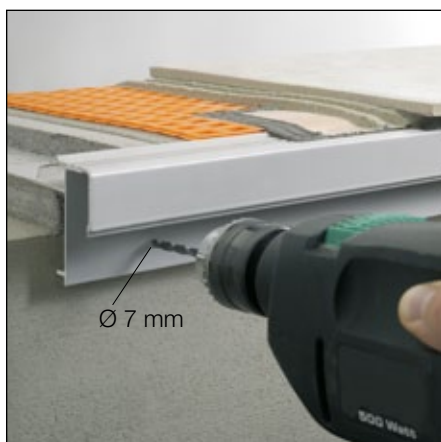


Illustration 2



Subsequent installation of the Schlüter®-BARIN gutter system to the edging profile, Schlüter®-BARA-RAM





Product Overview

Schlüter®-BARA-RAM 50

Colours: PG = pastel grey, GM = grey metallic

Length supplied: 2.50 m

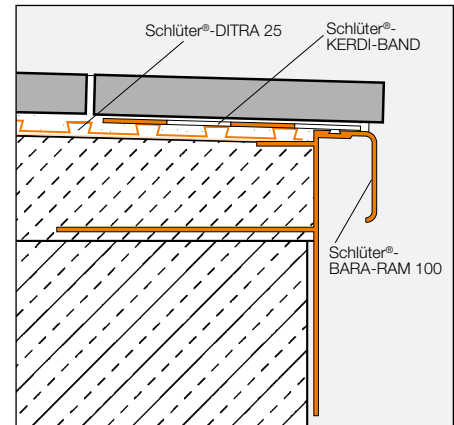
Colours	PG	GM
Profile	•	•
Outside Corner 90°	•	•
Outside Corner 135°	•	•
Inside Corner 90°	•	•
Connector	•	•

Schlüter®-BARA-RAM 100

Colours: PG = pastel grey

Length supplied: 2.50 m

Colour	PG
Profile	•
Outside Corner 90°	•
Outside Corner 135°	•
Inside Corner 90°	•
Connector	•



Text template for tenders:

_____ linear metres of Schlüter®-BARA-RAM, as a T-shaped balcony edging profile made of powder-coated aluminium with a protruding, lower adhesive flange for the attachment of edge-protection profiles and integrated drip-lip, to be supplied and professionally installed with the trapezoid-perforated anchoring leg as an edging profile into the sloped screed, while observing the manufacturer's instructions.

Matching accessories are

■ to be included in the unit price

■ to be invoiced separately

Profile height: _____ mm

Colour: _____

Art.-No.: _____

Material: _____/m

Labour: _____/m

Total: _____/m