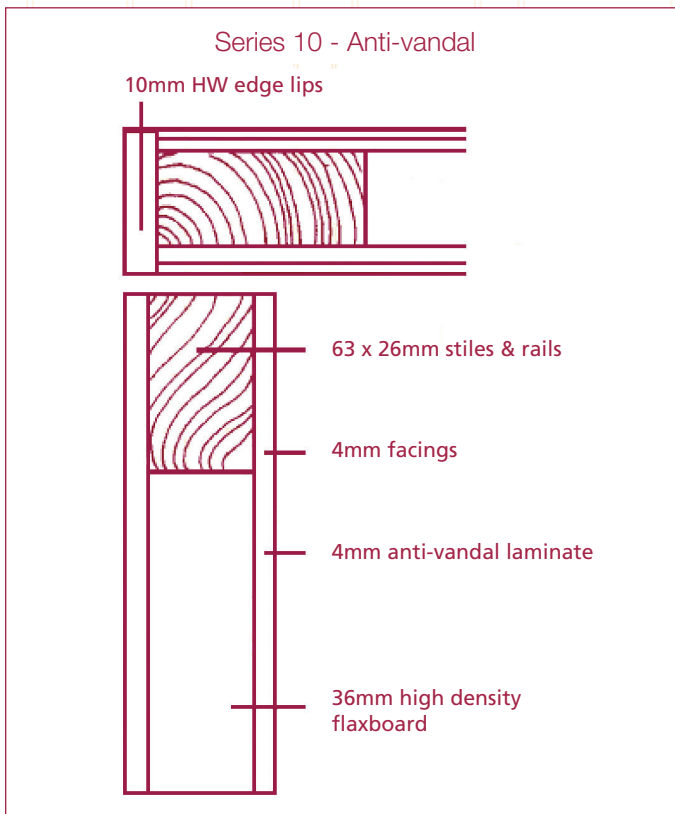
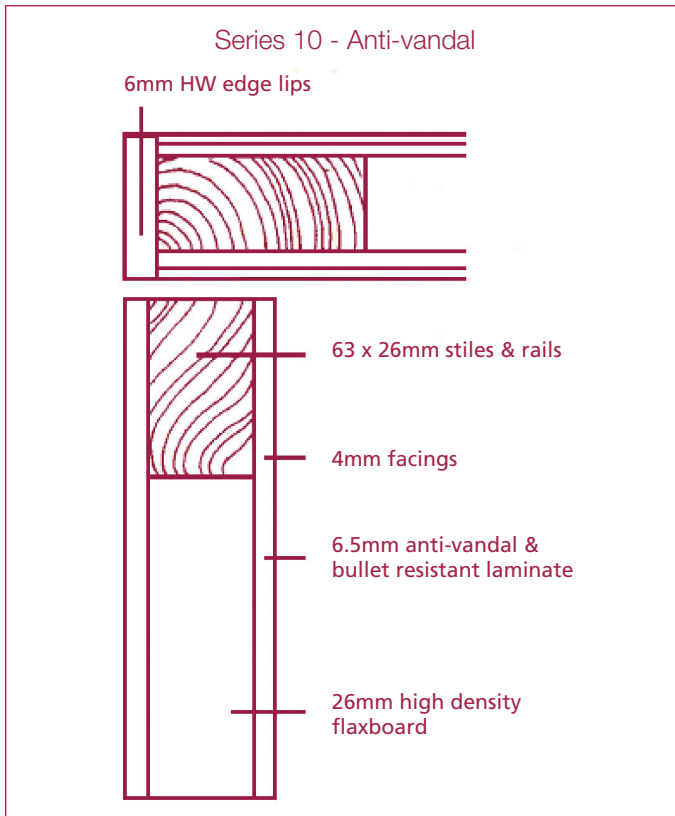


series 10 security doors 10, 10b & 10c

product sheet PDS 10



The Series 10 security and anti-vandal doors are designed for use in areas where security is of paramount importance.

These doors can be supplied with facings of highly vandal resistant decorative laminate, which are manufactured to order in virtually any colour in the BS4800 colour range, and have been impact tested to BS5544 - anti-bandit material resistant to manual attack. The anti-vandal/bandit laminate can also be built into the core of the door and covered with any of the available veneers or faced with plywood to receive paint or stain.

Specification: SD doors with built in anti-bandit laminate

Stiles, top and bottom rails of kiln dried softwood 10-12% moisture content, core of high density flaxboard with 3mm anti-vandal laminate bonded to each face of the flaxboard and framing.

Doors faced with 4mm veneered MDF facing or external grade plywood.

Kiln dried hardwood lippings fixed by hot melt glueing to both long edges, lippings to top and bottom as required.

Thickness 44mm.

TOLERANCE \pm 2mm.

Average weight 30kg/m³.

Please note if a built in multiple locking system is specified. Some changes to core construction may be required.

Specification: SDF doors with decorative facings

Stiles, top and bottom rails of kiln dried softwood 10-12% moisture content, core of high density flaxboard with 4mm anti-vandal laminate bonded to each face of the flaxboard and framing.

Kiln dried hardwood lippings faced by hot melt glueing to both top and bottom as required.

Thickness 44mm.

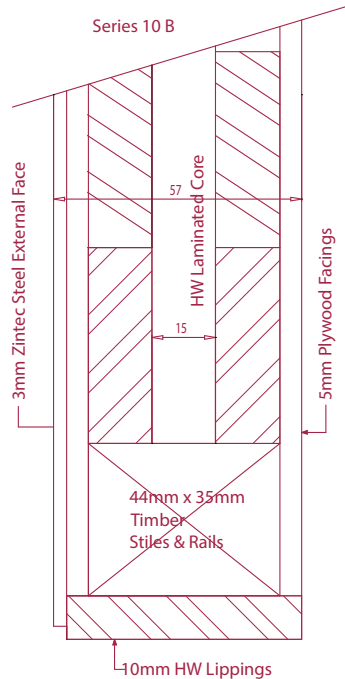
TOLERANCE \pm 2mm.

Average weight 30kg/m³.

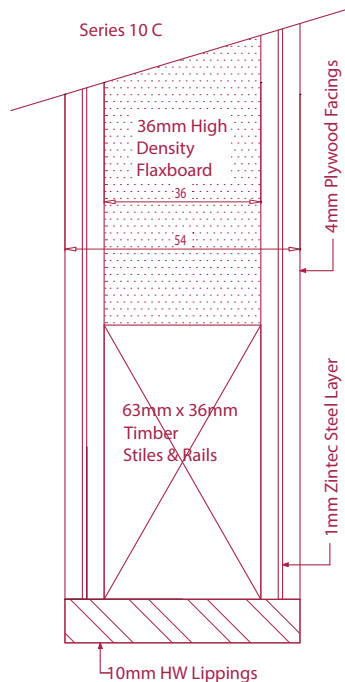
series 10 security doors 10b & 10c

product sheet PDS 10

Series 10b - option steel faces



Series 10c - internal steel faces



Series 10 (B)

The Series 10 (B) FD60 54mm Security door – severe duty rated – with Solid (525m³) 3 Layer hardwood lamel core with hardwood stiles and rails construction with 10mm lippings. This door is widely used as our custodial solution. Doors are plywood faced for paint finish for external or plywood/MDF for internal application.

Optional fitment of exposed steel facings 3mm to one or both faces with anti tamper fittings is offered as non fire rated option. With hardwood rebated frames.

Tested to DD171-1987 & EN1192-2000

Series 10 (C)

The Series 10 C 54mm NFR Security door is manufactured using a timber perimeter framed high density flaxboard core, with the addition of 1mm thick Zintec steel sheets beneath the plywood/MDF facings to provide increased resistance to attack. Doors are plywood faced for paint finish for external door application or MDF faced for paint, veneer or laminate internal applications. With hardwood rebated frames.

Noberne Doors Limited

Lupton Street, Hunslet
Leeds LS10 2QP

T 0113 277 8577

F 0113 277 2049

E sales@nobernedoors.co.uk

www.nobernedoors.co.uk

