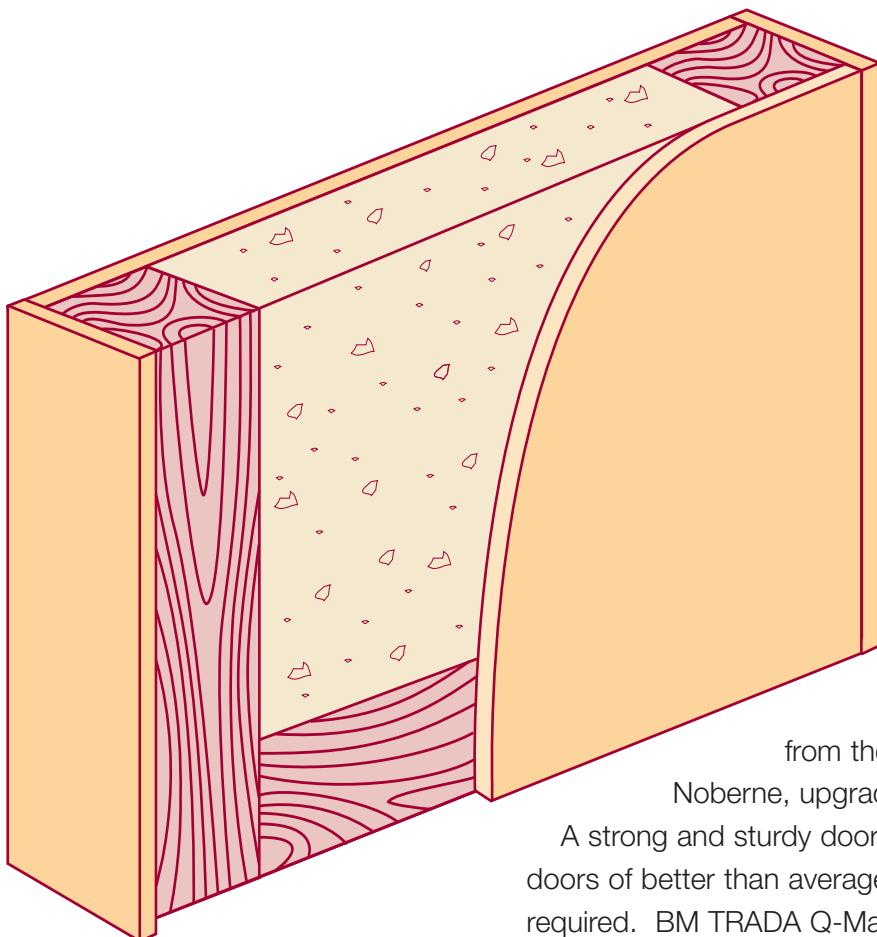


series 3 fire doors

FD 30; FD 30S



The Series 3 is derived from the first doors manufactured by Noberne, upgraded and improved over the years.

A strong and sturdy door very popular for use wherever doors of better than average strength and durability are required. BM TRADA Q-Mark Quality assured construction.

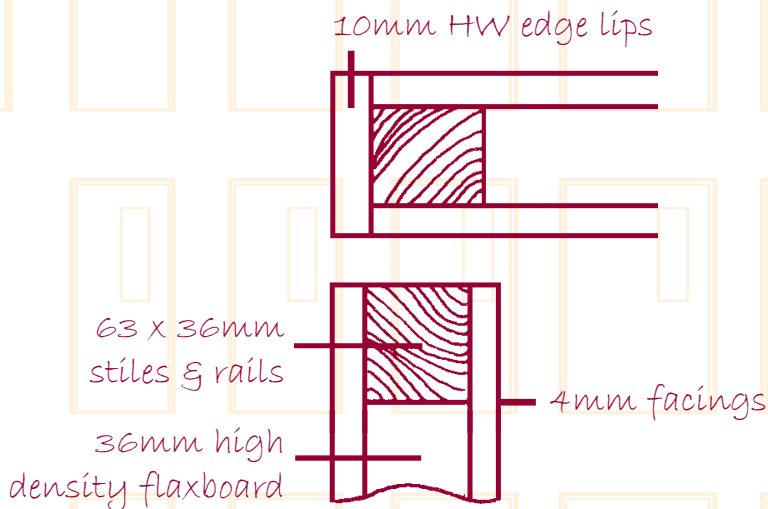
Series 3 doors have been tested by TRADA in accordance with methods specified in BS 476 PART 22 1987 as well as BSEN 1634-1 2000 and the following results obtained:

TEST REF	F.R. 1535
INTEGRITY	39 MINUTES
INSULATION	39 MINUTES

"I should like to thank you for all of your assistance and the quality of your product supplied at the St Barnabas and Chilwell Churches. A first rate job."

GRAEME RENTON, BUILDING DESIGN PARTNERSHIP

Illustrations are not to scale



The Series 3 door can be converted into a smoke control door as specified in BS5588 by the addition of suitable flexible seals.

Specification

Stiles, top and bottom rails of kiln dried softwood 10-12% moisture content or engineered strand timber, core of high density flaxboard, doors faced with 4mm external grade plywood, MDF, or veneered/laminated chipboard as required. Kiln dried hardwood lippings fixed by hot melt gluing to both long edges, lippings to top and bottom as required. Thickness 44mm. Plywood doors 43mm nominal thickness.
TOLERANCE ± 2 mm.
Average weight 20kg/m².

Acoustics

Tested to achieve a minimum 29dB Rw for single leaf, single action doorsets at SRL (Sound Research Laboratories) in conjunction with appropriate acoustic seals.

Availability

The Series 3 is available as large single or large pairs of doors in a wide range of sizes (details on request) and finishes to suit customer's requirements and up to 0.86m² area may be glazed.



Noberne Doors Limited

Lupton Street, Hunslet
Leeds LS10 2QP

T 0113 277 8577

F 0113 277 2049

E sales@nobervedoors.co.uk
www.nobervedoors.co.uk

