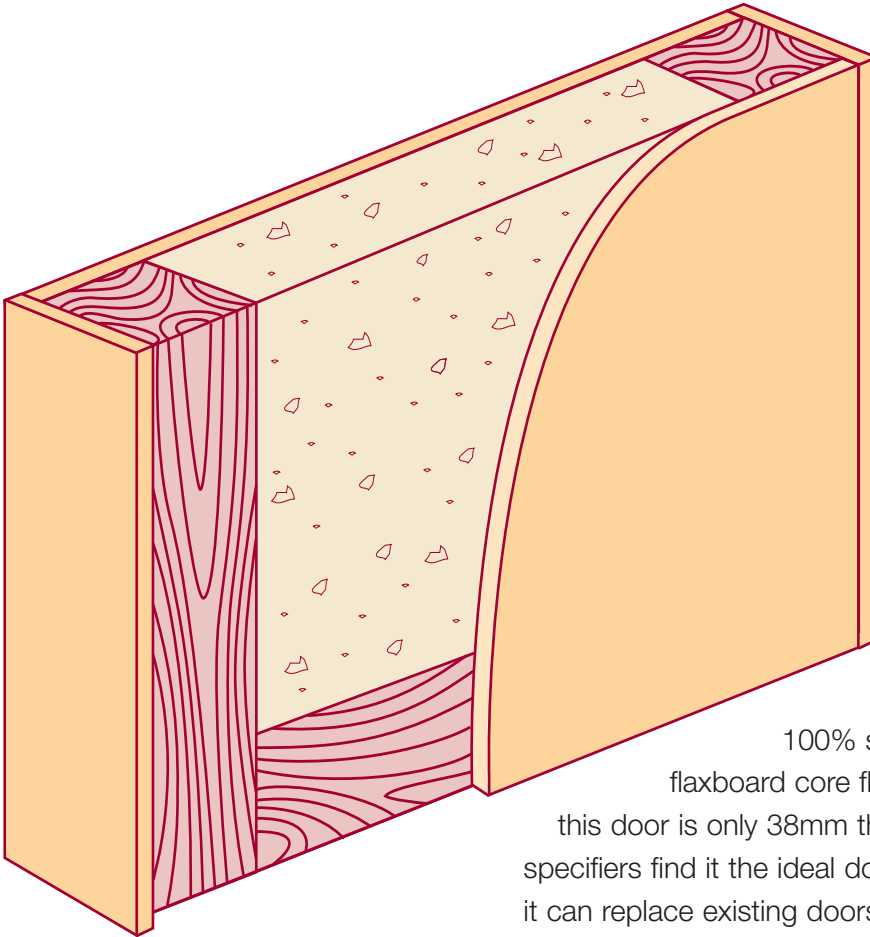


series 2 fire doors

FD 30; FD 30S



The Series 2 is a genuine 100% solid timber and high density flaxboard core flush door. Due to the fact that this door is only 38mm thick, many architects and specifiers find it the ideal door for upgrading work where it can replace existing doors without the need to increase rebate sizes. Quality assured construction.



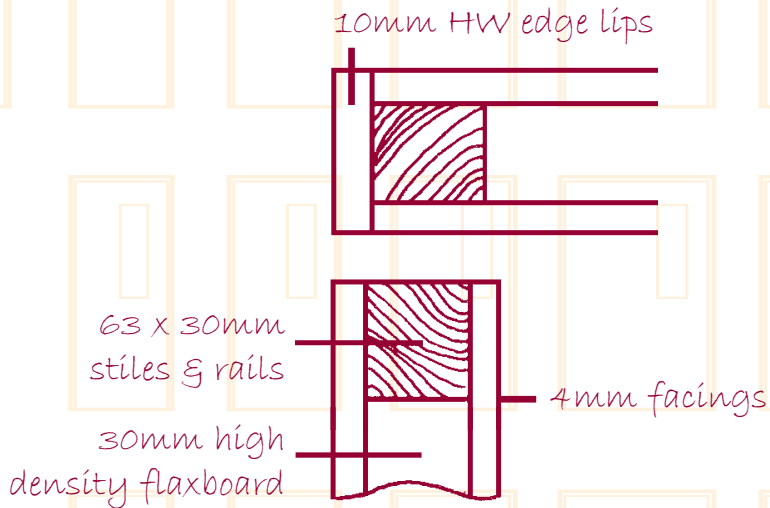
Series 2 doors have been tested by TRADA in accordance with methods specified in BS 476 PART 22 1987 and the following results obtained:

TEST REF	F.R. 1530
INTEGRITY	38 MINUTES
INSULATION	38 MINUTES

"We have had an excellent working relationship with Noberne Doors for over 25 years and chose them as our preferred supplier on the Trafford Centre project because of their flexible approach to the manufacture of such a large quantity of high quality doors (over 2,500) at a competitive price."

RICHARD BROWN, COMMERCIAL DIRECTOR, J W TAYLOR LIMITED

Illustrations are not to scale



The Series 2 door can be converted into a smoke control door as specified in BS5588 by the addition of suitable flexible seals for internal applications only.

Specification

Stiles, top and bottom rails of kiln dried softwood 10-12% moisture content or engineered strand timber, core of high density flaxboard, doors faced with 4mm external grade plywood, MDF, or veneered/laminated chipboard as required. Kiln dried hardwood lippings fixed by hot melt gluing to both long edges, lippings to top and bottom as required. This door is for internal applications only. Thickness 38mm. TOLERANCE $\pm 2\text{mm}$. Average weight 18kg/m^2 .

Acoustics

The Series 2 door is capable of providing acoustic performance in conjunction with appropriate acoustic seals.

Availability

The Series 2 is available as large single or large pairs of doors in a wide range of sizes (details on request) and finishes to suit customer's requirements and up to 0.40m^2 area may be glazed.



Noberne Doors Limited

Lupton Street, Hunslet
Leeds LS10 2QP

T 0113 277 8577

F 0113 277 2049

E sales@nobervedoors.co.uk
www.nobervedoors.co.uk

