

### Length

The urinal is available in eight standard lengths: 1200mm, 1500mm, 1800mm, 2100mm, 2400mm, 2700mm, 3000mm and 3600mm. Lengths over 3600mm can be supplied as multiple units with joint cover trim for abutting ends.

### Waste Outlet

All urinals are supplied with a 50mm (2") BSP dome grated waste fitting positioned at either the right or the left hand end (as viewed facing the unit).

### Flushing System

All urinals are fitted with a sparge system concealed within the units' construction. The sparge pipe connection to the flushpipe can be top entry for an exposed surface mounted cistern (see fig 1) or back entry for a concealed duct mounted cistern (see fig 2).

### Flushpipe

Urinals are supplied with 22mm diameter stainless steel flush pipes and wall fixing clips. The length of each flushpipe allows for its cistern to be mounted at the maximum recommended height.

### Cistern

All urinals are supplied with plastic or optional stainless steel automatic flushing cisterns. Each cistern is complete with lid, syphon and petcock. The recommended mounting height is 1800mm minimum and 2000mm maximum from the underside of the cistern to finished floor level.

### Cistern Capacity

Urinal length	-1200mm	-1201-3600mm
Cisterns	-1 x 9.0 litre	-1 x 13.65 litre

### Product Code Selection for Order or Quotation

#### 1. Base product code

065 wall hung trough urinal

#### 2. Length

- |                                |   |
|--------------------------------|---|
| <input type="checkbox"/> -1200 | <input type="checkbox"/> -2700                          |
| <input type="checkbox"/> -1500 | <input type="checkbox"/> -3000                          |
| <input type="checkbox"/> -1800 | <input type="checkbox"/> -3600                          |
| <input type="checkbox"/> -2100 |   |
| <input type="checkbox"/> -2400 | <input type="checkbox"/> -special (please specify)..... |

#### 3. Outlet (as facing)

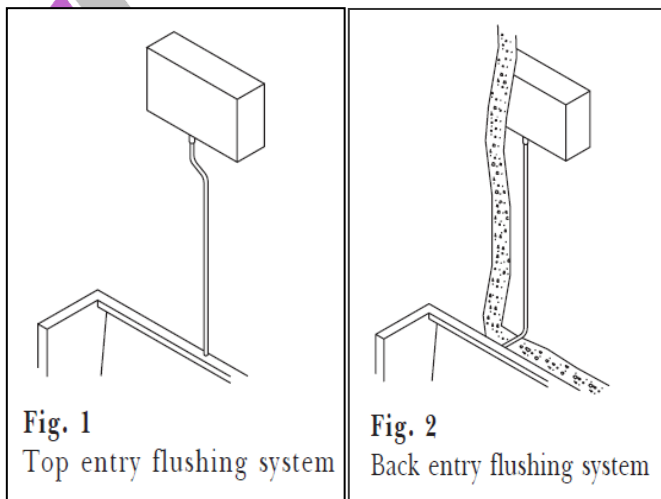
-R -Right hand       -L -Left hand

#### 4. Flushing System

-TE -Top entry       -BE -Back entry  
 -S -Special (supply dimensioned sketch)

#### 5. Options

- 131 -stainless steel cistern
- JT -joint cover trim
- CS -corner infill section
- RU -removable undershroud
- WG -white **Enviro-Glaze** up to 2400mm only  
Other colours \_\_\_\_\_ please specify



**Fig. 1**  
Top entry flushing system

**Fig. 2**  
Back entry flushing system

As improvements in the design and performance of Acorn Powell Limited products is continuous specifications may be subject to change without notification.