

HALFEN TPA-VA Locking plate

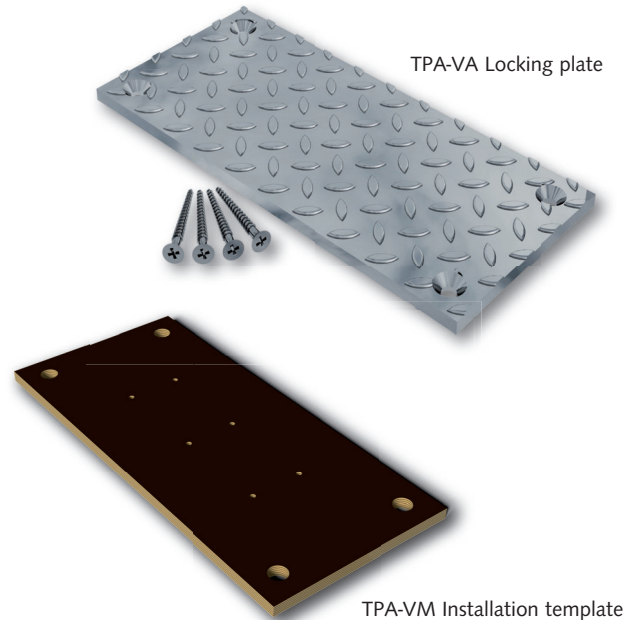
TECHNICAL PRODUCT INFORMATION



TPA-VA - a robust and non-slip cover plate

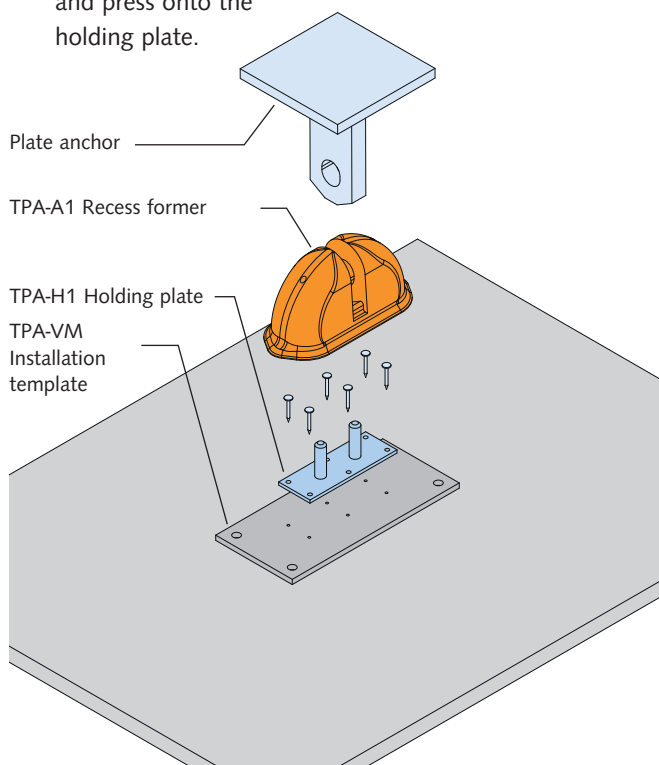
The TPA-VA is a robust and non-slip stainless steel cover plate designed to cover and protect the recess in which a cast-in FRIMEDA TPA Anchor has been installed. The cover plate is flush with the concrete surface when in place. The cover plate can be removed to access the anchor for later use, for example, for lifting inspection hole covers. In these cases always observe the corrosion protection requirements for the TPA Anchor.

To ensure flush installation with the concrete HALFEN provides a TPA-VM Installation template. The auxiliary aid creates a depression in the concrete and centres the recess former and the anchor for installation.

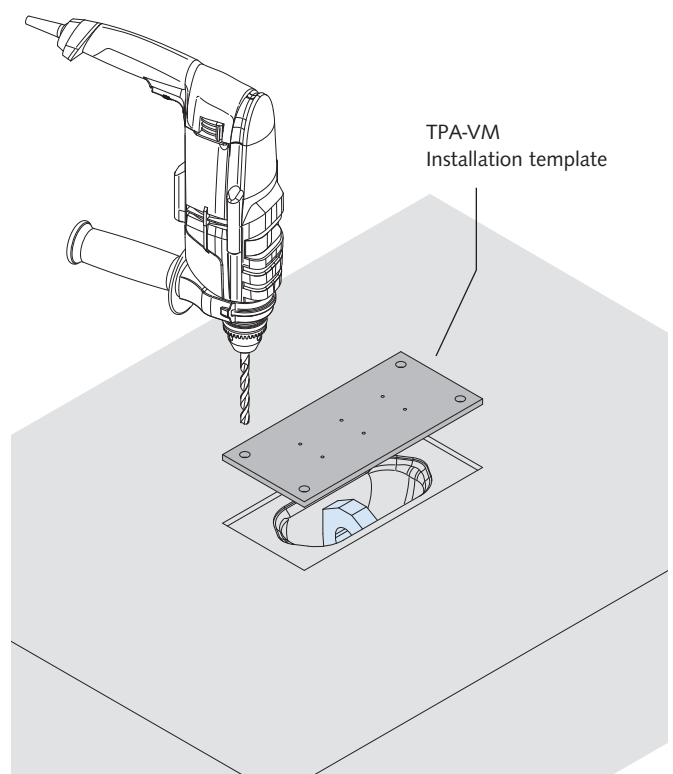


Installation instructions

- 1 Nail the TPA-H1 Holding plate through the installation template to the formwork at the specified position. The positions for the nails are marked on the template. Fix the TPA-A1 Recess former and the plate anchor together and press onto the holding plate.



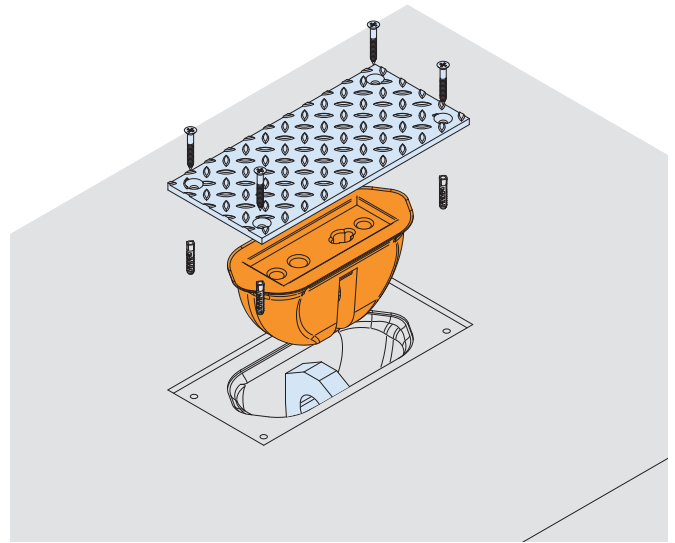
- 2 After the concrete has hardened, strike the formwork. Use the installation template as a template to drill the holes for the (6 mm) dowels.



TPA-VA LOCKING PLATE

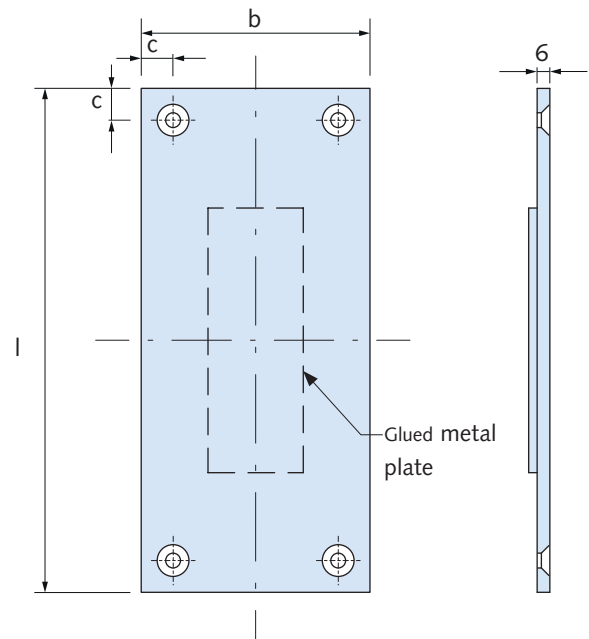
Installation instructions

- 3 A TPA-A1 Recess former can be used to fill the void.
A used and discarded recess former is suitable for this purpose.
- 4 Fix the locking plate to the concrete using the four stainless steel countersink head screws (provided) and appropriate dowels.



Dimensions of the TPA-VA Locking plate							
Load class	Article name	A2 Anti-slip metal plate			Glued metal plate	Plastic dowel and wood screw	
		l	b	c		d	e
2,5	TPA-VA-2,5	148	78	12	70 × 16 × 4	7	13
5,0	TPA-VA-5,0	178	88	15	85 × 30 × 4		
10,0	TPA-VA-10,0	238	108	15	125 × 45 × 4		
26,0	TPA-VA-26,0	298	173	20	175 × 65 × 4		

TPA-VA Locking plate, dimensions



TPA-VM Installation template		TPA-VA Locking plate	
Article name	Article no.	Article no.	Article no.
TPA-VM 2,5	0073.120-00001	TPA-VA 2,5	0073.110-00001
TPA-VM 5,0	0073.120-00002	TPA-VA 5,0	0073.110-00002
TPA-VM 10,0	0073.120-00003	TPA-VA 10,0	0073.110-00003
TPA-VM 26,0	0073.120-00004	TPA-VA 26,0	0073.110-00004

TPA-H1 Holding plate (for TPA-A1, TPA-A7, TPA-A9 Recess formers)	
Article name	Article no.
TPA-H1 2,5	0073.010-00002
TPA-H1 5,0	0073.010-00003
TPA-H1 10,0	0073.010-00004
TPA-H1 26,0	0073.010-00005

Please order the TPA-H1 Holding plate separately

HALFEN GmbH



Liebigstr. 14 · 40764 Langenfeld · GERMANY
 Tel.: +49 - (0)2173 970-0
 Fax: +49 - (0)2173 970-123
 E-Mail: info@halfen.com
 www.halfen.com

Das Qualitätsmanagementsystem der HALFEN GmbH ist für die Standorte in Deutschland, Frankreich, Niederlande, Österreich, Polen, der Schweiz und der Tschechischen Republik zertifiziert nach ISO 9001:2015, Zertifikat-Nr. 202384-2016-AQ-GER-DAKKS.

The HALFEN GmbH subsidiaries in Germany, France, the Netherlands, Austria, Poland, Switzerland and the Czech Republic are Quality Management certified according to ISO 9001:2015, Certificate no. 202384-2016-AQ-GER-DAKKS.



© 2017 HALFEN GmbH, Germany
 applies also to copying in extracts.

T - 112 - E - 11/17