

*axis*

Automatic Entrance Systems

**STANLEY®**

# BiFolding Doors

## SB600 DOOR SERIES



### DOOR PANELS FOLD IN OR OUT FOR THE MOST EFFICIENT USE OF SPACE AT ENTRANCES OR EXITS

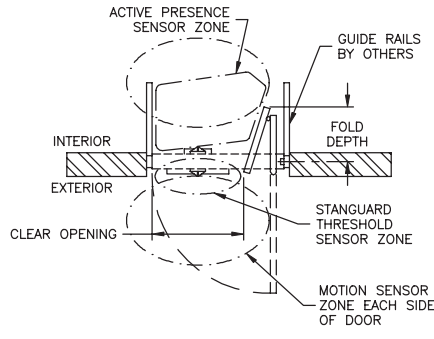
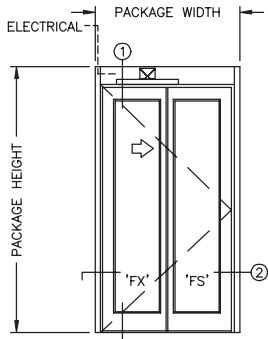
- Heavy duty pivots
- Lead edge finger guard
- Laminate lock/flush bolts
- Dual redundant safety sensors
- Advanced activation sensors
- Two, and Four panels
- Opening widths from 4' to 10'

The SB600 Series Automatic Bifolding Door is a proven retrofit solution. Full door automation for two-way traffic where manual swing doors reside today.

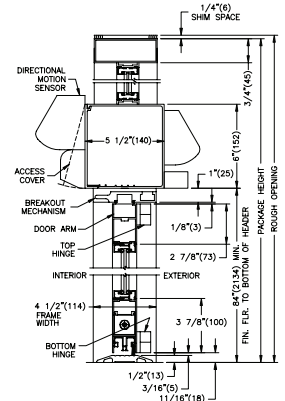
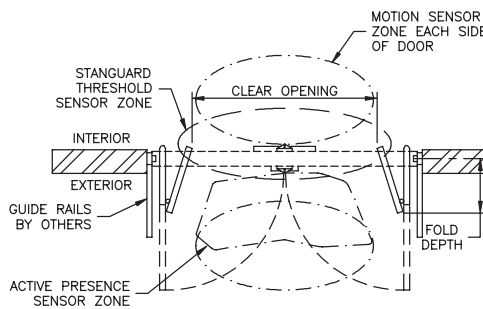
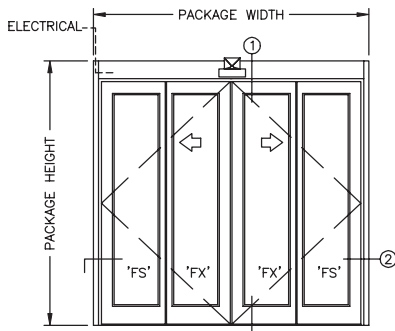
The bifold has two-panel and four-panel configurations with a variety of opening widths from 4 to 10 feet.

The door panels fold into the vestibule and do not occupy floor space within the interior nor require safety rails on the exterior.

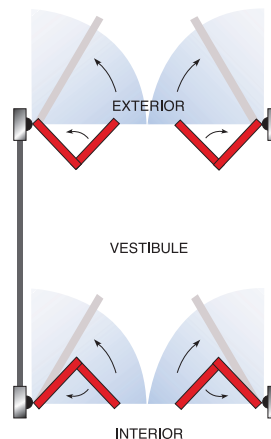
## TWO PANEL



## FOUR PANEL



- About 70% of our bifolding door's package size remains free and clear for passage - a real advantage in tight spaces that require automatic doors.
- Door panels fold in or out for the most efficient use of space at entrances or exits.
- SB600 is a proven retrofit solution to give an owner full door automation for two-way traffic where manual swing doors reside today. Two-panel and four-panel configurations with a variety of opening widths from 4 to 10 feet.
- The folding action of the bifolding doors does not occupy valuable floor space on the interior side of the building or require permanent rails on the exterior side of the building



Our door panels fold in or out for the most efficient use of space at entrances or exits.

## SPECIFICATIONS

Door packages are custom manufactured up to 1/4" increments to fit your job requirements.

**HEIGHT:** 2 Panel: 7'-6" (2.2m) Minimum, 9'-2" (2.8m) Max;

4 Panel: 7'-6" (2.2m) Minimum, 8'-6" (2.6m) Max

**WIDTH:** 2 Panel: 4' (1.2m) Minimum, 6' (1.8) Max;

4 Panel: 6' (1.8m) Minimum, 10' (3m) Max

**TYPICAL DOOR PANEL WEIGHT:** Up to 100 lbs Each (45kg)

**DRIVE SYSTEM:** Stanley Magic Force Swing Door Operator  
**CONTROLLER:** Microprocessor based safety logic watchdog LED

**SENSORS:** 2 SU-100 motion sensors, 1 Stan-Guard® (non-fold side) and 1 infrared presence sensor (fold side) for safety

**BREAKOUT:** All Panels

**POWER REQUIRED:** 120 VAC, 5 amps minimum

**CODE COMPLIANCE:** UL, cUL, ANSI A156.10



### Axis Automatic Entrance Systems Ltd

Unit 6, Queens Park Industrial Estate, Studland Road,  
Northampton, NN2 6NA.

Tel: 01604 212500 · Fax 01604 212495

Email: sales@axisautomatic.com

www.axisautomatic.com