

axis

Automatic Entrance Systems

STANLEY

Bypass

DUAL AUTOMATIC SLIDING DOOR SYSTEM



SIMPLIFIED PEDESTRIAN CONTROL IN RESTRICTED SPACES

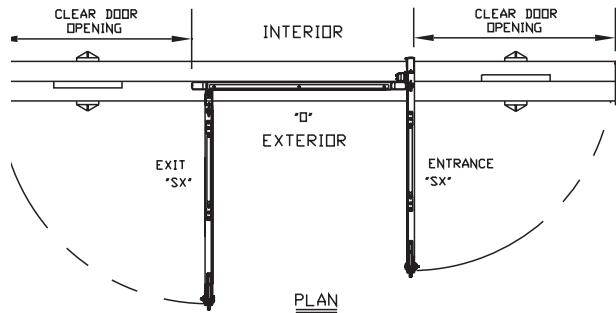
The Bypass Automatic Door System is a cost-effective automatic exit and entrance door in one compact package. To direct traffic flow, the right sliding panel is used exclusively for ingress while the left sliding panel is exclusively used for egress. Between the two sliding panels is a shared stationary panel. This simple design provides a large entrance and exit for heavy pedestrian traffic in applications where rough opening space is restricted.

Stanley Automatic Door Systems - the safest, most cost effective solutions available today.

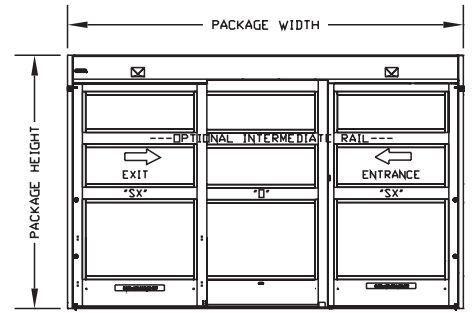
FEATURES AND BENEFITS

- Two independently controlled moving panels, one for entering and the other for exiting
- In a 16' rough opening, a 12' Bypass offers the same clear door opening as two 8' single slides
- Continuous header for both entry and exit that simplifies building design
- Full breakout for emergency egress
- Pressure rating of 70 psf
- Utilises the same major components used in the Dura-Glide™ family of automatic sliding door systems
- Hurricane rated

RIGHT HAND



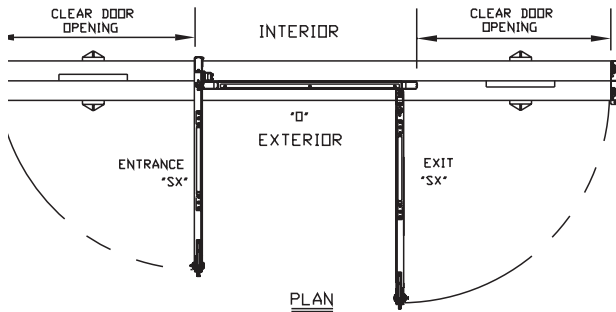
PLAN
BYPASS DOOR SYSTEM
RIGHT HAND ENTRY



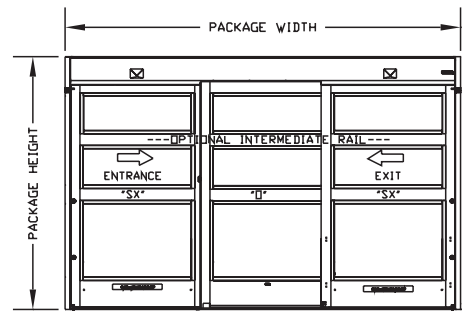
ELEVATION

BYPASS DOOR SYSTEM
RIGHT HAND ENTRY

LEFT HAND



PLAN
BYPASS DOOR SYSTEM
LEFT HAND ENTRY



ELEVATION

BYPASS DOOR SYSTEM
LEFT HAND ENTRY

SPECIFICATIONS*

Door packages are custom manufactured up to 1/4" increments to fit your job requirements.

DESIGN: Bypass

BREAKOUT: SX Entrance Panel (When Fully Closed); SX Exit Panel |

OPTION: Full Breakout with FBO Package

STANDARD DOOR PACKAGE SIZE: 116" Minimum Width, 220.5"

Maximum Width, 7'-8" Typical Height

IMPACT DOOR PACKAGE SIZE: 122" Minimum Width, 168" Maximum Width, 7'-8" Available Height

HEADER SIZE: 8" (203mm) High x 6" (152mm) Deep | 2 Packages Included for 12" Overall Depth

DOOR PANEL WEIGHT: Up to 220 Pounds Each (100kg)

POWER REQUIRED: 120 VAC, 50/60 HZ, 5 Amps Minimum

DRIVE SYSTEM: 1/4 HP DC Motor, Gear Drive, Toothed belt | OPTION: Twin 1/4 HP DC Gear Driven Motors

CONTROLS: Rocker Switch | OPTION: Rotary, Keyed Rotary Controls, Eco Pro

CONTROLLER: Microprocessor Based, Safety Logic

SENSORS: 2 for Motion (Switchable Between Uni-directional and Bi-directional) and 1 Stan-Guard® and Doorway Holding Beam for Safety

| OPTIONAL: Mats, Wallplates, Radio Control

TEMPERATURE RATING: -30F to 130F

GLASS: 1/4", 1/2", 5/8", 1"

THRESHOLD: Configurable Options

TRANSOM: Optional | Not available on FBO package

CODES AND STANDARDS: ANSI A156.10, NFPA 101, UL, cUL, IBC, ICBO, BOCA, South Florida Building Code, Miami-Dade County Compliance

* All Specifications are subject to change. Please contact your local sales representative to ensure accuracy.



Axis Automatic Entrance Systems Ltd

Unit 6, Queens Park Industrial Estate, Studland Road, Northampton, NN2 6NA.

Tel: 01604 212500 · Fax 01604 212495

Email: sales@axisautomatic.com

www.axisautomatic.com

