

Altro FlexiJoint™

Altro Walls revolutionary PVC joint profile

JANUARY 2008

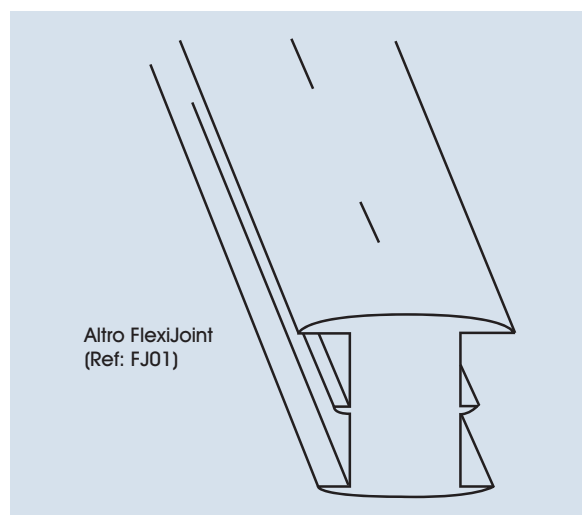
Following extensive product development by Altro Walls Technical Team, Altro Walls are pleased to advise our customers of a new low profile, flexible and narrow PVC joint strip, that will further compliment and develop sales of the market leading Altro Whiterock hygienic cladding system.

The main features of the new Altro FlexiJoint profile are:

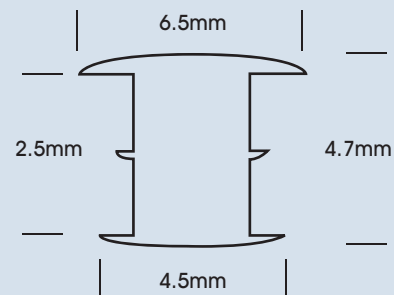
- Narrower and flatter joint profile
- Tighter finished joints.
- Improved installation method
- Increased hygiene levels – includes biocide
- Easy and quick to repair in the event of impact damage
- Fully flexible trim.
- Easy to cut
- Colour co-ordinated to all cladding ranges
- UV resistant
- Chemically resistant
- Aesthetically pleasing.

Fitting the Altro FlexiJoint profile

- Plan the layout of the Whiterock panels and then prime the substrate with W165 tape primer where the joint is located, (using small paint brush).
- Prepare the Whiterock panel and then apply double sided tape (A815) approximately 3mm in from each long edge.
- Apply Altrofix W139 adhesive to the back of the panel and then fit the panel to the substrate in the normal way.
- Prepare the next panel as before then dry fit this panel to check the joint between both panels is true and parallel



FlexiJoint design details:



- Against the leading edge, temporarily fix three Altro metal spacer bars (top, middle, bottom) to set the gap between the panels accurately at 3.4mm width.
- Prepare and fit the next panel using the same procedure as previously described. Leave the protective cover on the strip of double sided tape which butts against the metal spacer bars (This will allow for easier fitting and manoeuvrability when butting up tight to the spacer bars).
- Roll the panel to transfer the adhesive thoroughly to the substrate then remove the metal spacer bars. Ease out the edge of the panel to allow the protective cover to be removed from the double sided tape. Press the panel back down to the substrate and re-roll.

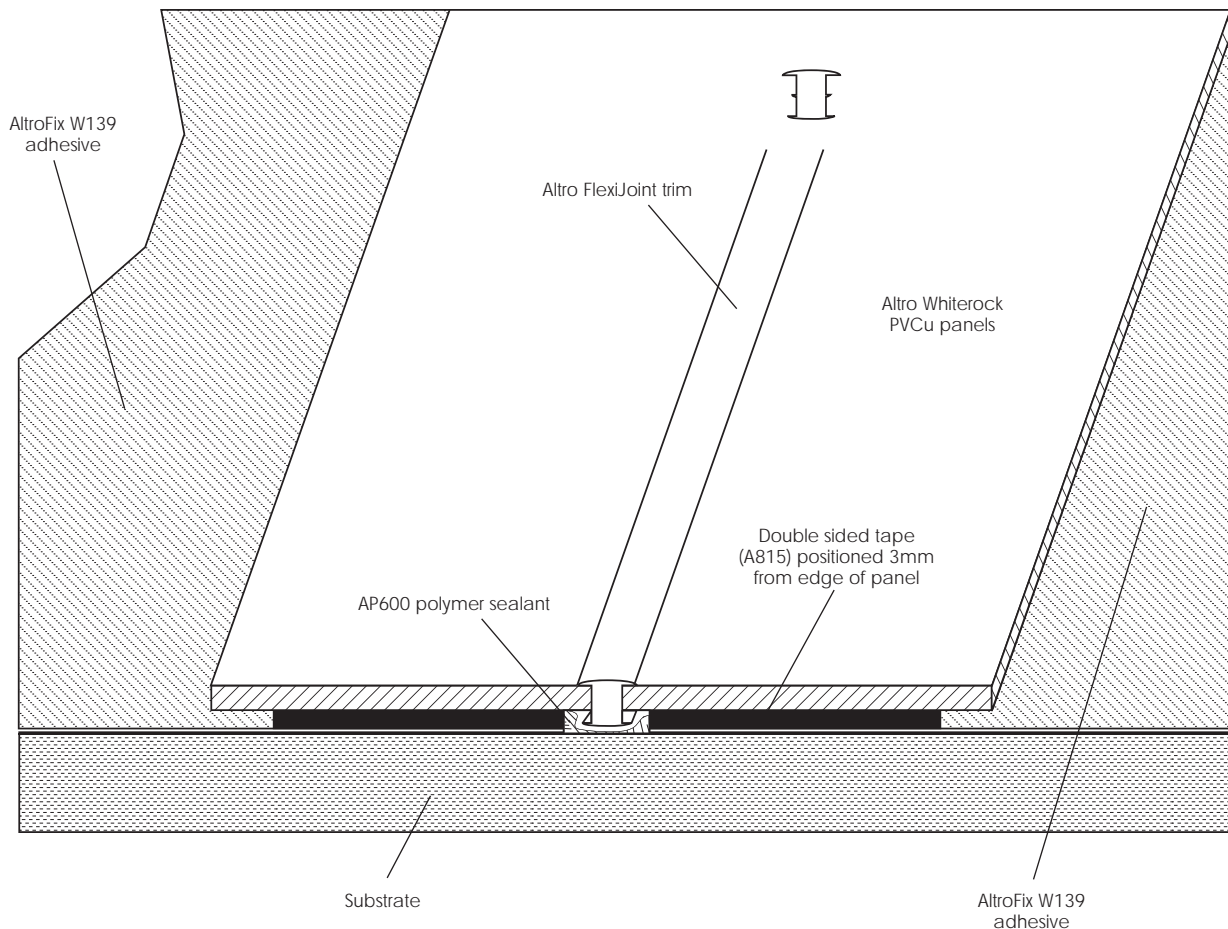
Fitting the Altro FlexiJoint profile

- Apply a uniform bead of AP600 polymer sealant to the substrate in between the joint gap, (max: 2mm bead).
- Cut a length of Altro FlexiJoint slightly oversize for the joint and then push firmly into the joint gap.
- Once the profile has been fully fitted to the joint, roll the joint thoroughly with a small 50mm hand roller. (Wooden wallpaper seam rollers are ideal for this task).
- Trim off the surplus as required.
- Door heads, windows heads and sill sections need to be carefully scribed and cut to adjacent panels to ensure a gap of 3.4mm is maintained for the FlexiJoint profile.

Recommended tools for cutting panels:

Due to the tight fitting of the Altro FlexiJoint profile, it is important that the panel edges are smooth, square, true and free from burrs.

- Jigsaw with a fine tooth cutting blade. Ensure the panel is cut slightly oversize and then planed to a crisp, clean and square edge.
- Circular saw. Use fine toothed cutting blades (for plastics) with cutting guide.
- Router cutter. Use straight edge router bits (for laminates) with cutting guide.



ALTRO FLEXIJOINT™
ALTRO WALLS REVOLUTIONARY
PVC-JOINT PROFILE

for further information or technical advice

tel: **01502 561364** fax: **01502 531461**

e-mail walls@altro.com or explore www.altro.com