







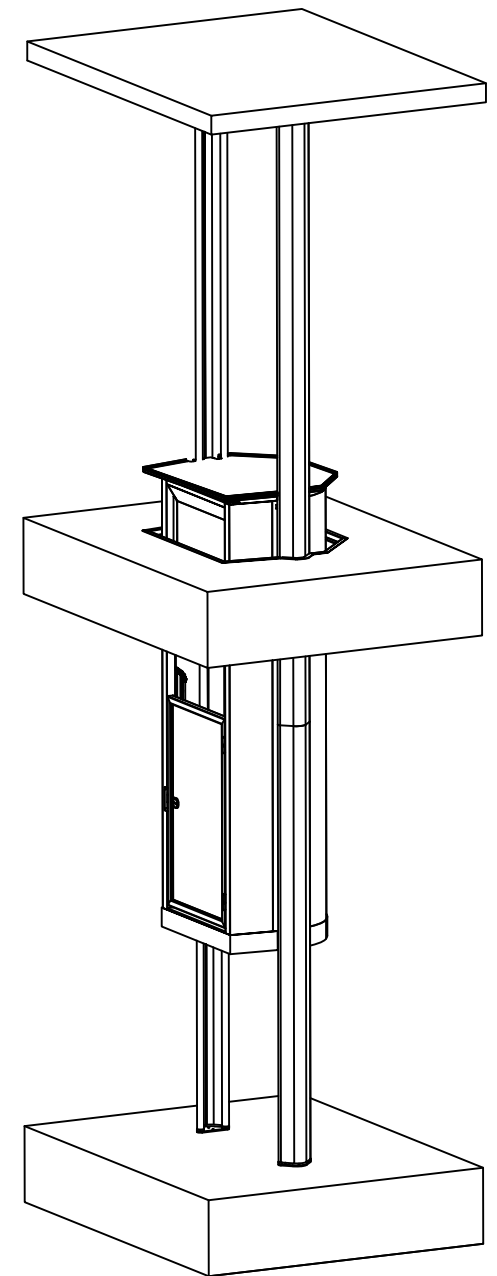
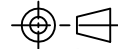


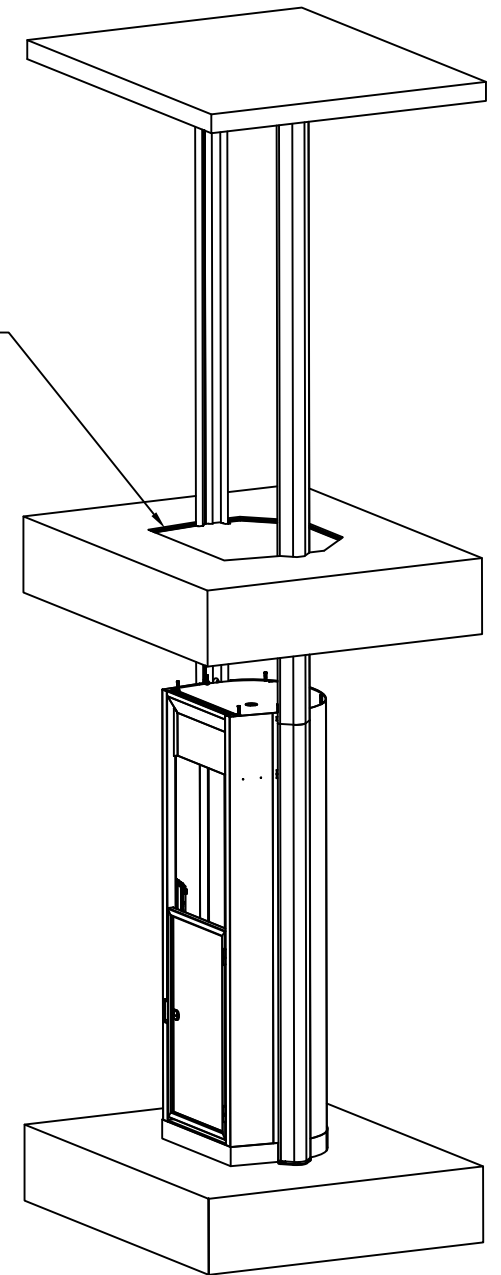
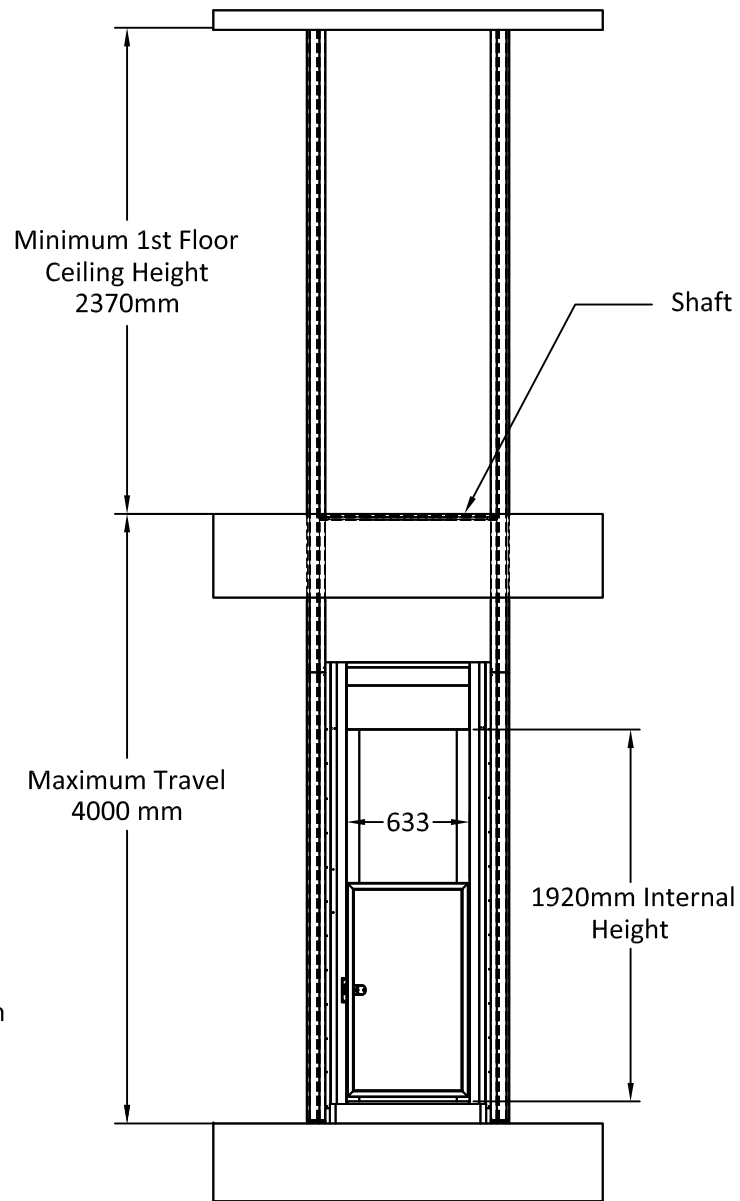
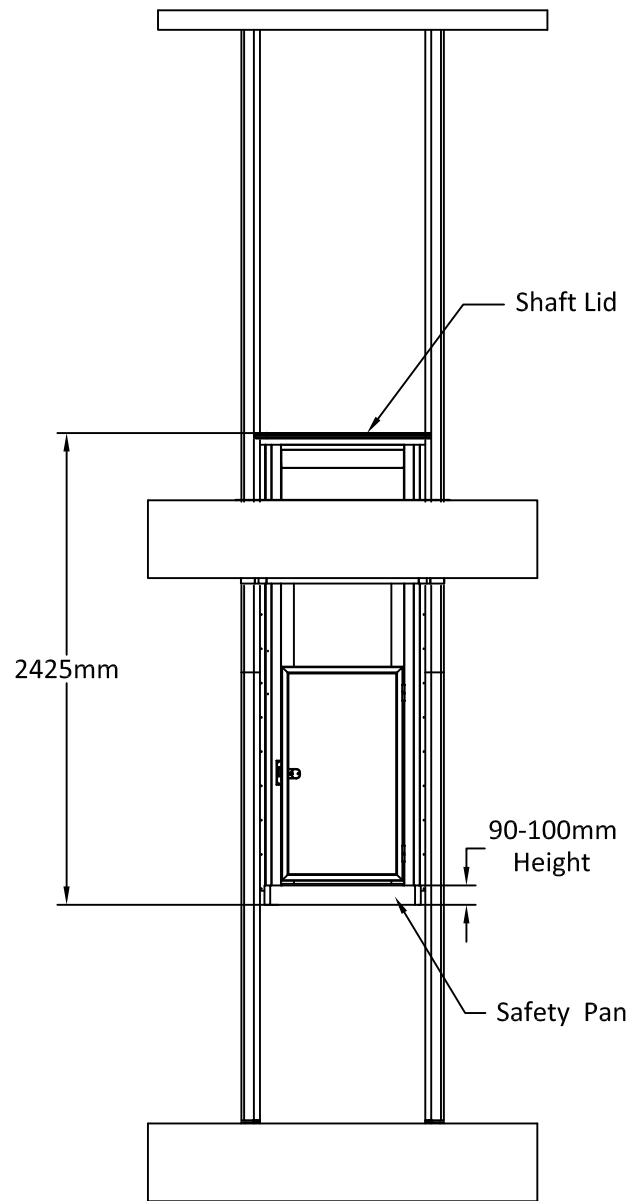
Technical Information:

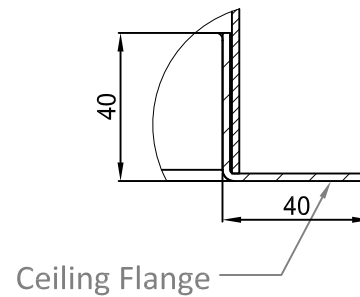
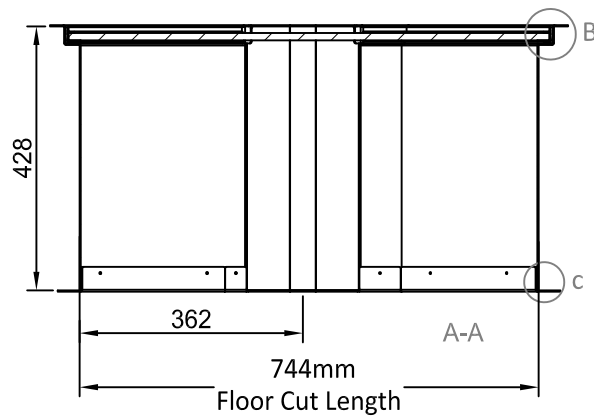
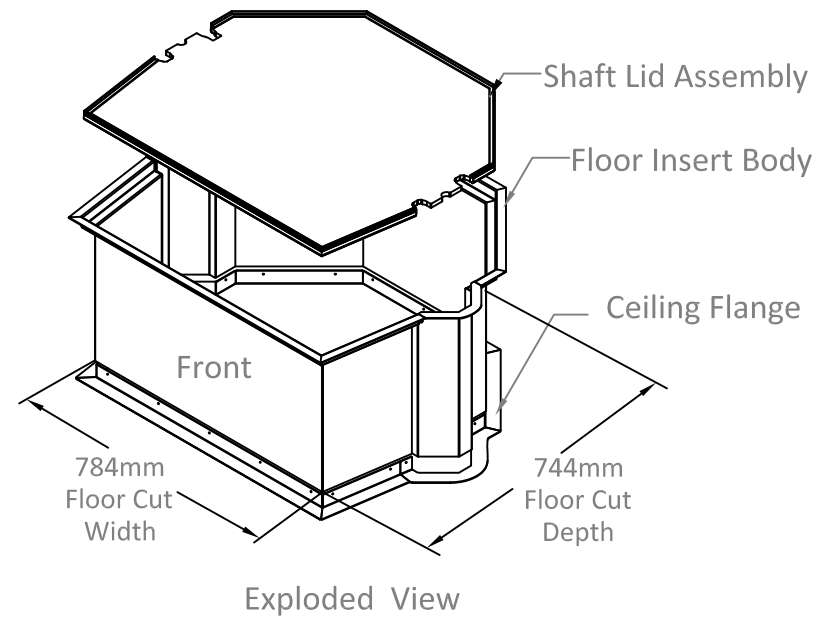
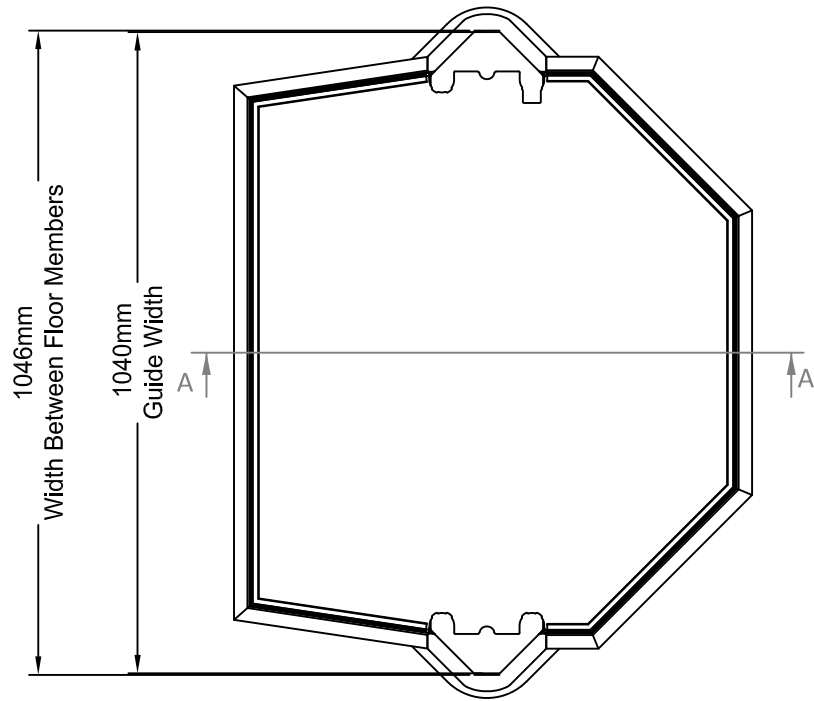
The Duo

-  **DRIVE SYSTEM:**
Roped Drum, Braked Gear Motor Drive
-  **CAPACITY:**
MAX Capacity 170kg / 2 persons
-  **TRAVEL:**
Up to 4000mm
-  **NO of FLOORS:**
2 Maximum
-  **SUPPLY VOLTAGE:**
240v 1PH 50HZ
-  **RUNNING CURRENT:**
2.5 AMP
-  **STARTING CURRENT:**
3.5 AMP
-  **STANDARD COLOUR:**
Off White / Cream (RAL 9003)
(Other colours available)

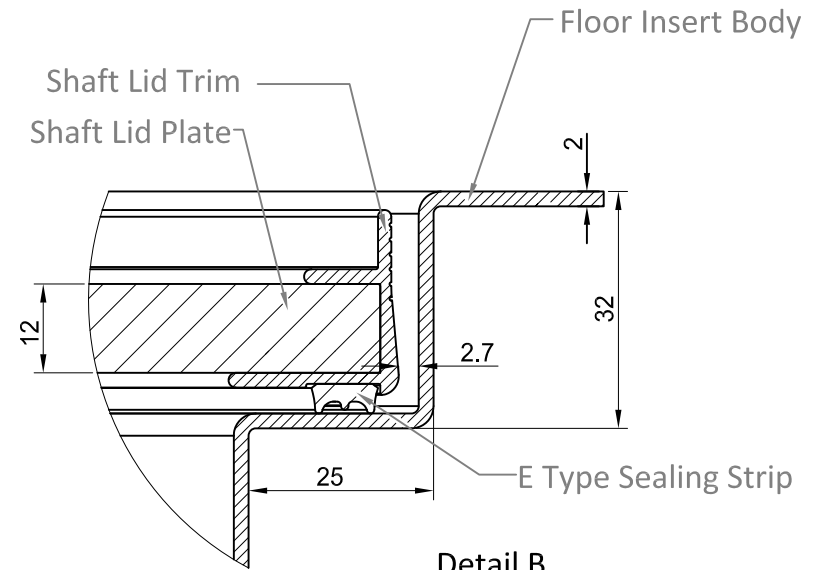


© Stiltz Ltd. 2013		TITLE	
Drawn W Wang		Date 2015/5/30	
		DIMENSIONS IN MM UNLESS OTHERWISE NOTED THIRD ANGLE PROJECTION - AS 1100	
A4		Dwg No	SCALE:

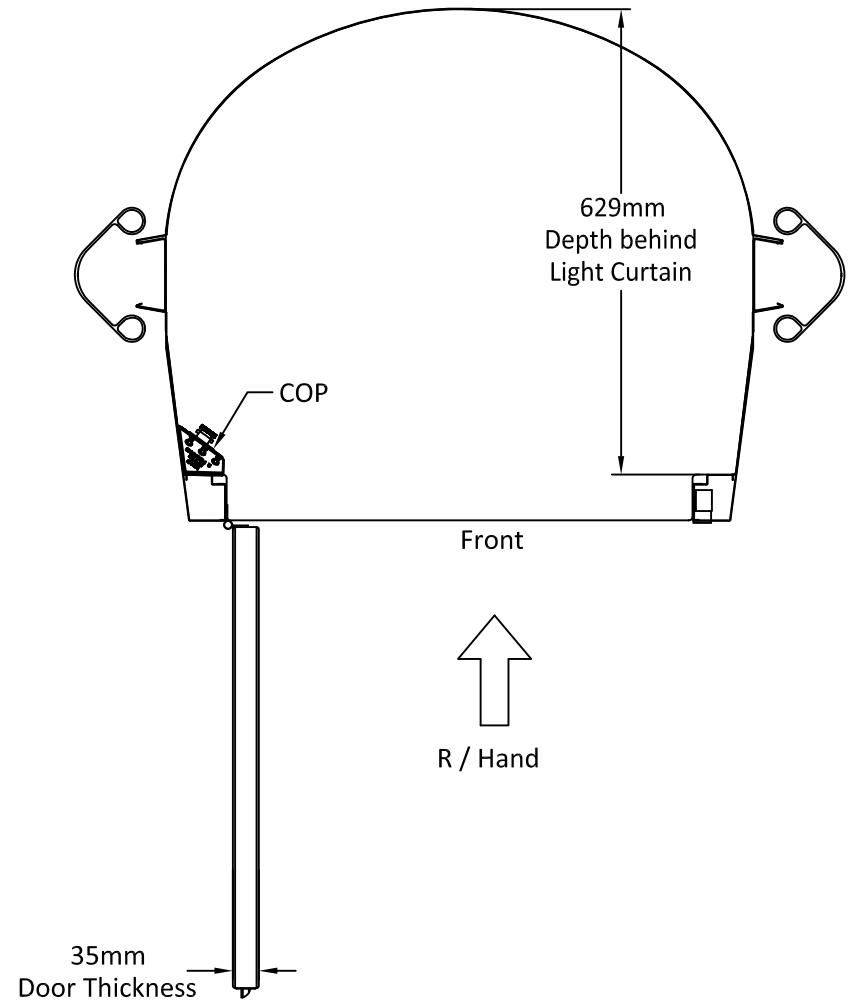
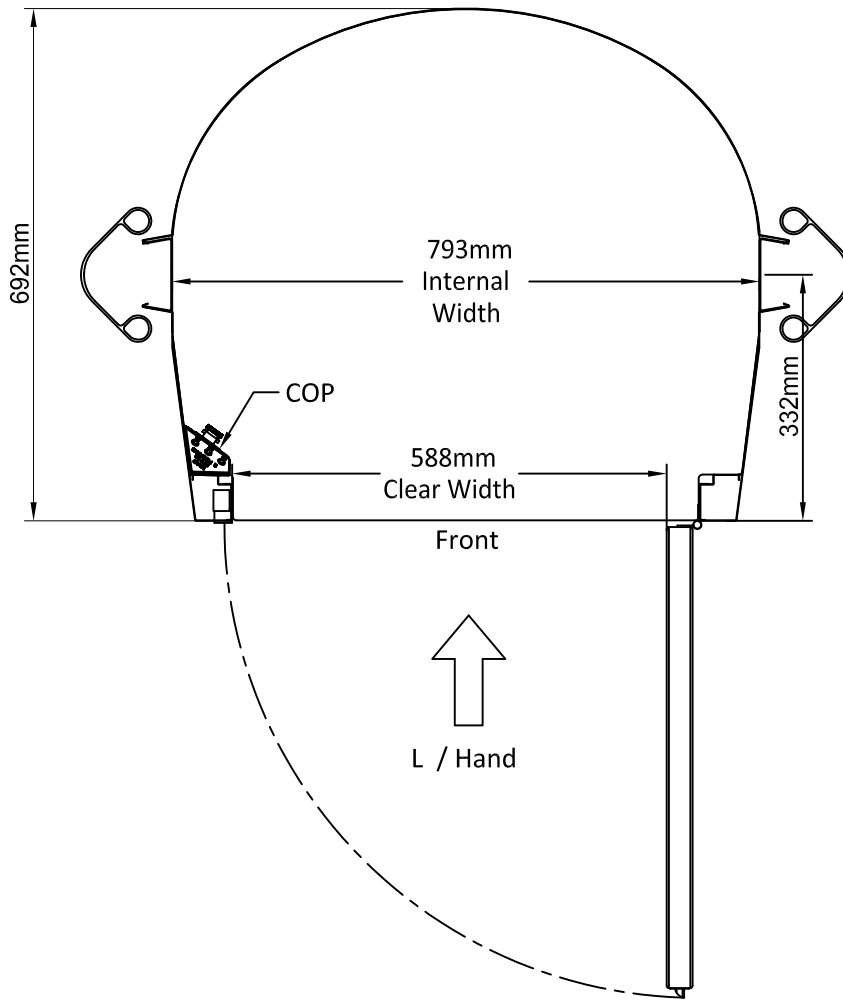




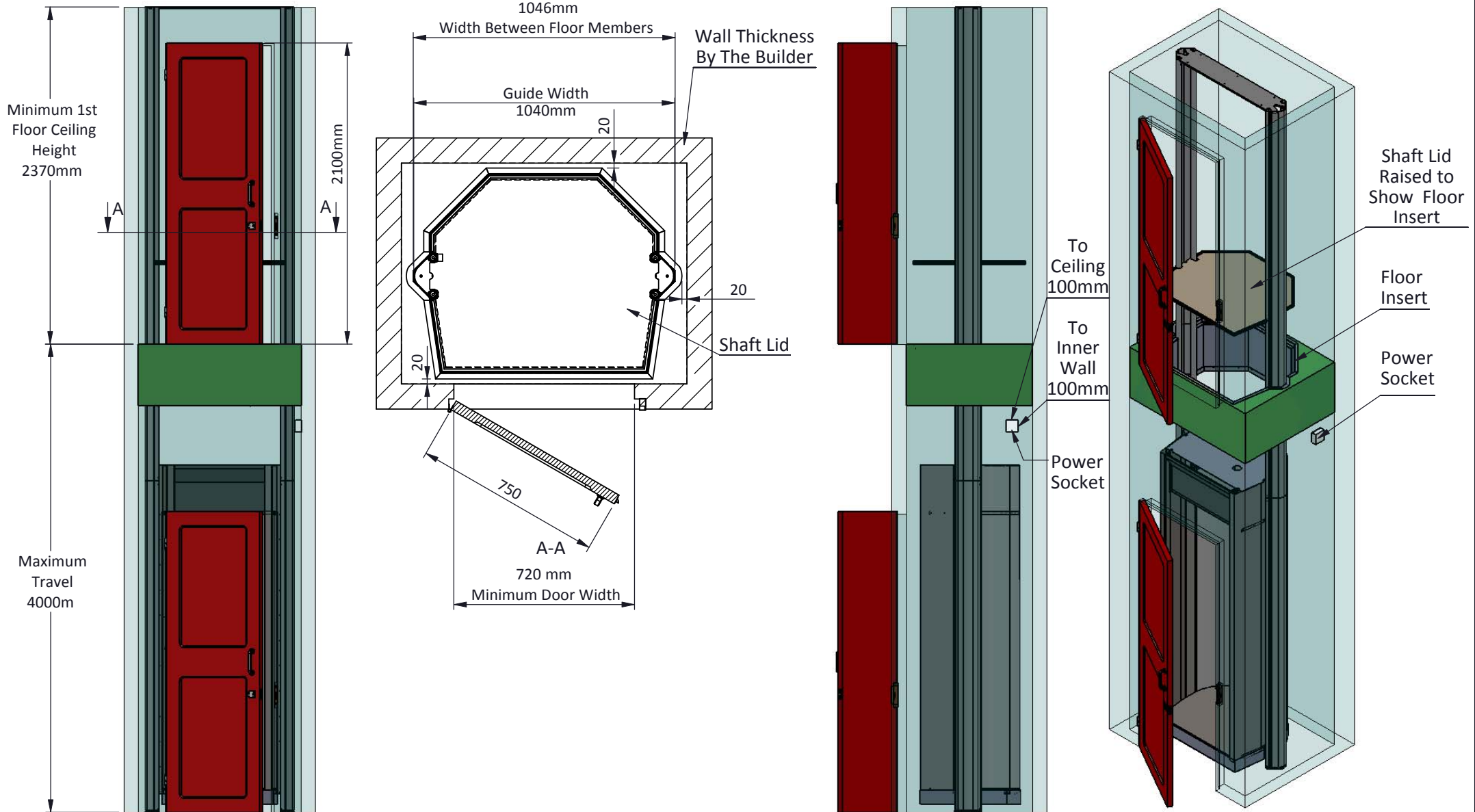
Detail C



Detail B



Notes about this Revision	Date



Approved for Manufacture
 By: (Sign)
 Name:.....

GENERAL TOLERANCES (Unless otherwise noted):
 Whole: ± 0.5mm
 Decimal: ± 0.1mm
 Angular: ± 0.25 dg.
 Break ALL sharp corners and remove burrs & swarf.

The information contained herein is the exclusive property of Stiltz Ltd. and shall not be distributed, reproduced, or disclosed in whole or in part without prior written permission of Stiltz Ltd.



© Stiltz Ltd. 2013
 Drawn W Wang Date 2015/6/10
 DIMENSIONS IN MM UNLESS OTHERWISE NOTED
 THIRD ANGLE PROJECTION - AS 1100

TITLE Duo Lift Shaft Information
 Dwg No A4
 SCALE: 1:35