



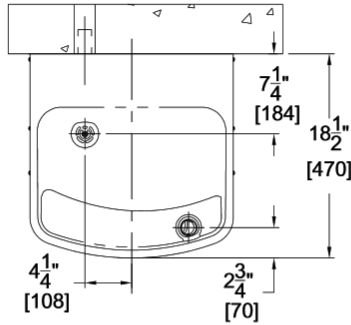
WALL MOUNTED BARRIER FREE WATER COOLER

Technical Specification

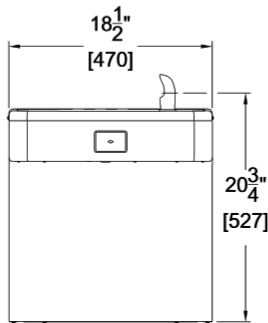
PRODUCT CODE

A171108F

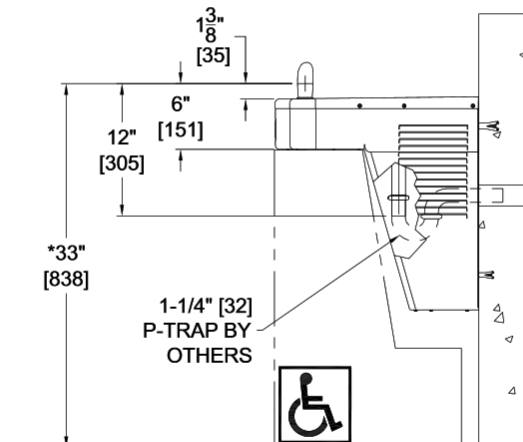
OCTOBER 2014



Plan



Front Elevation



Side Elevation

measurements are for adult height fixing: adjust as required for junior or disabled use

Construction

The top of the wall mounted barrier free water cooler is manufactured from grade 304 stainless steel. The shroud is manufactured from galvanised steel with a granite powder coated finish.

Capacity

The wall mounted barrier free water cooler chills 30.3 litres of water per hour from 26.7oC to 10oC.

Waste Outlet

The top of the water cooler incorporates an integral 32 mm (1 1/4") BSP waste outlet fitting

Refrigerant

Cooling system uses R-134a refrigerant, capillary tube controlled, and the unit is provided with a copper tube on stainless steel tank evaporator.

Compliance

The wall mounted barrier free water cooler is compliant with ANSI/NSF 61 section 9 and has been listed by Underwriters Laboratories for both the US and Canada as compliant to the Air Conditioning and Refrigeration Institute Standard 1010.

Water Pressure and Supply

The water cooler is designed to operate with water pressures rated between 1.50 bar to 7.00 bar. The water inlet pipe incorporates a Y strainer and terminates in a push fit connection to suit 15 mm diameter pipe.

Specification for Order or Quotation

1. Base Product Code

- A171108F-220v -Wall mounted barrier free water cooler granite finish shroud

2. Options

- GF1 -glass filler swan-neck type (supplied in addition to the bubbler valve)
- BF2-G -Integrated bottle filler, push button
- BF3-G -Integrated bottle filler, sensor operated
- 115v -115 volt unit for export