



EMERGENCY DRENCH SHOWER

PRODUCT CODE
S2100

Date: March 2014

Vertically Mounted Emergency Shower, Stainless Steel Shower Head

Model S2100 is a vertically mounted emergency shower with a stainless steel shower head and a 1" stay-open ball valve with a pull rod.

Standard Equipment:

Showerhead: Stainless steel, 188 mm diameter shower head with a 75 litres/minute flow regulator.

Valve: 1" rough chrome plated brass stay-open ball valve. Unit is provided with a stainless steel actuator arm and a 737 mm stainless steel pull rod.

Water Supply: 1" BSP female threaded brass inlet.

Universal Sign: ANSI compliant, vertical identification sign.

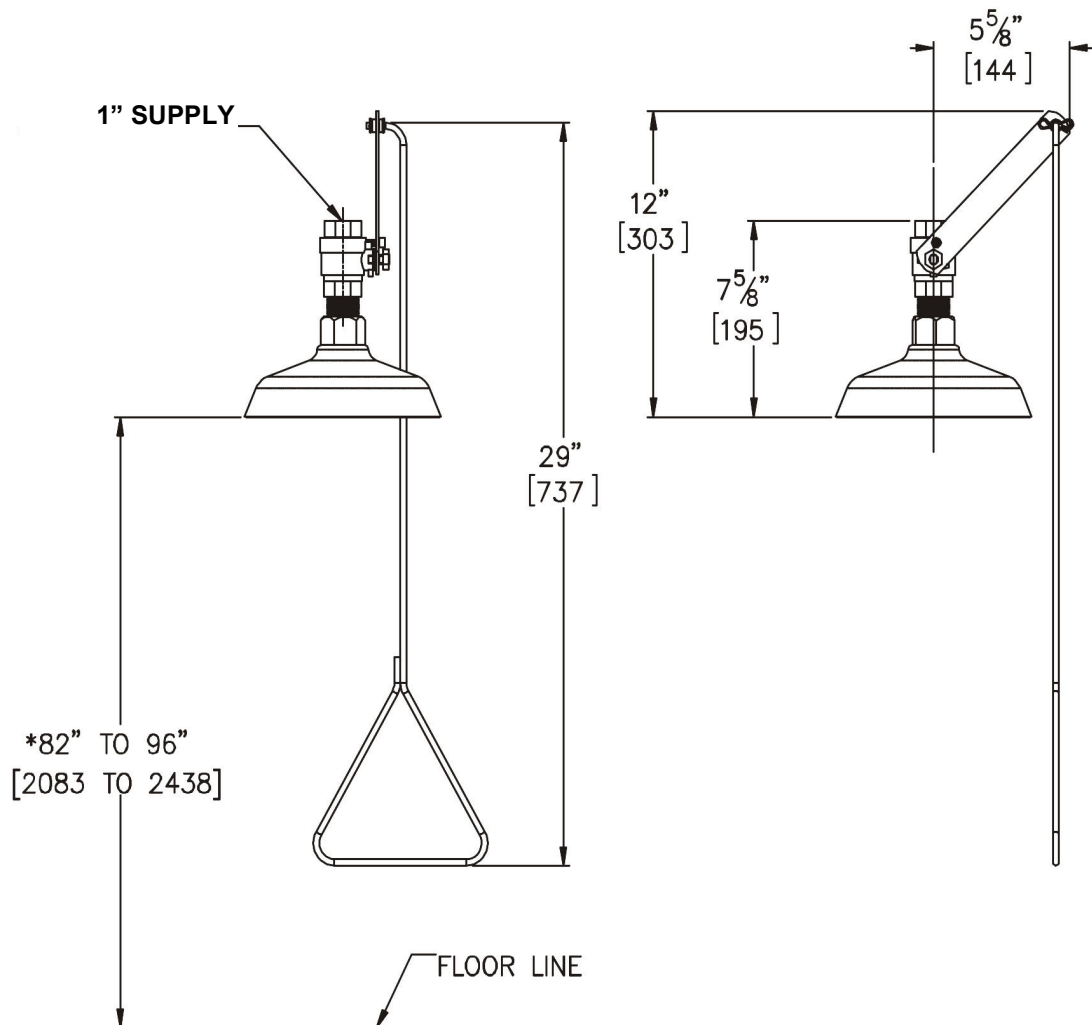
Weekly Test Tag: A water proof test card to record the date and inspector's name for weekly functional testing of the unit.

Compliances:

Test rating conditions are compliant to ANSI Z358.1-2009



□ **Model S2100** : Vertically Mounted Emergency Shower, Stainless Steel Showerhead



GENERAL NOTES:

1. ALL DIMENSIONS ARE IN INCHES [MM].
- *2. ANSI Z358.1 REQUIRES THE SHOWER HEAD TO BE MOUNTED BETWEEN 82"[2083] AND 96"[2438] ABOVE THE FLOOR.