



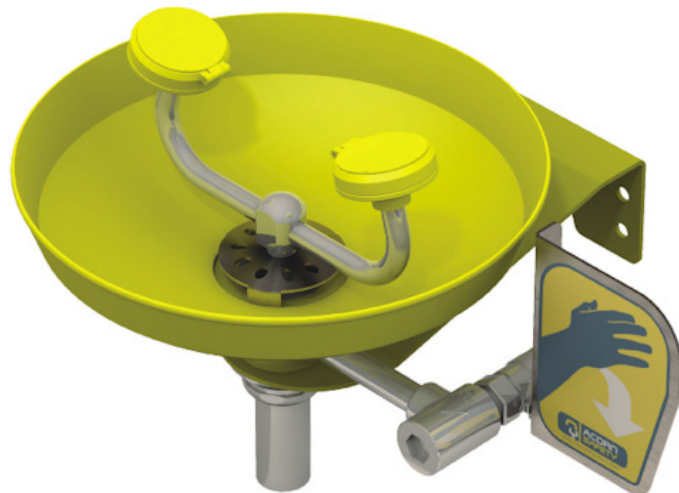
**EMERGENCY
EYE/FACE WASH**

PRODUCT CODE
S0420

Date: March 2014

**Wall Mounted Eye/Face Wash,
Plastic Bowl**

Model S0420 is a wall mounted eye/face wash, with a plastic bowl, ABS plastic eye/face wash spray heads, an inline strainer and a stay-open 1/2" ball valve with a push handle.



Standard Equipment:

Spray Head Assembly: ABS yellow plastic eye/face wash heads with integral flip dust covers, internal flow controls and filters to remove debris from the water.

Valve: 1/2" chrome plated brass stay-open ball valve with a stainless steel push handle and a 50 mesh inline strainer.

Water Supply: 1/2" BSP female threaded inlet.

Waste: Chrome plated brass, 1-1/4" OD tailpiece.

Bowl: Yellow, ABS plastic 300 mm diameter bowl.

Mounting: 11 gauge galvanised steel wall bracket with a yellow powder coated finish.

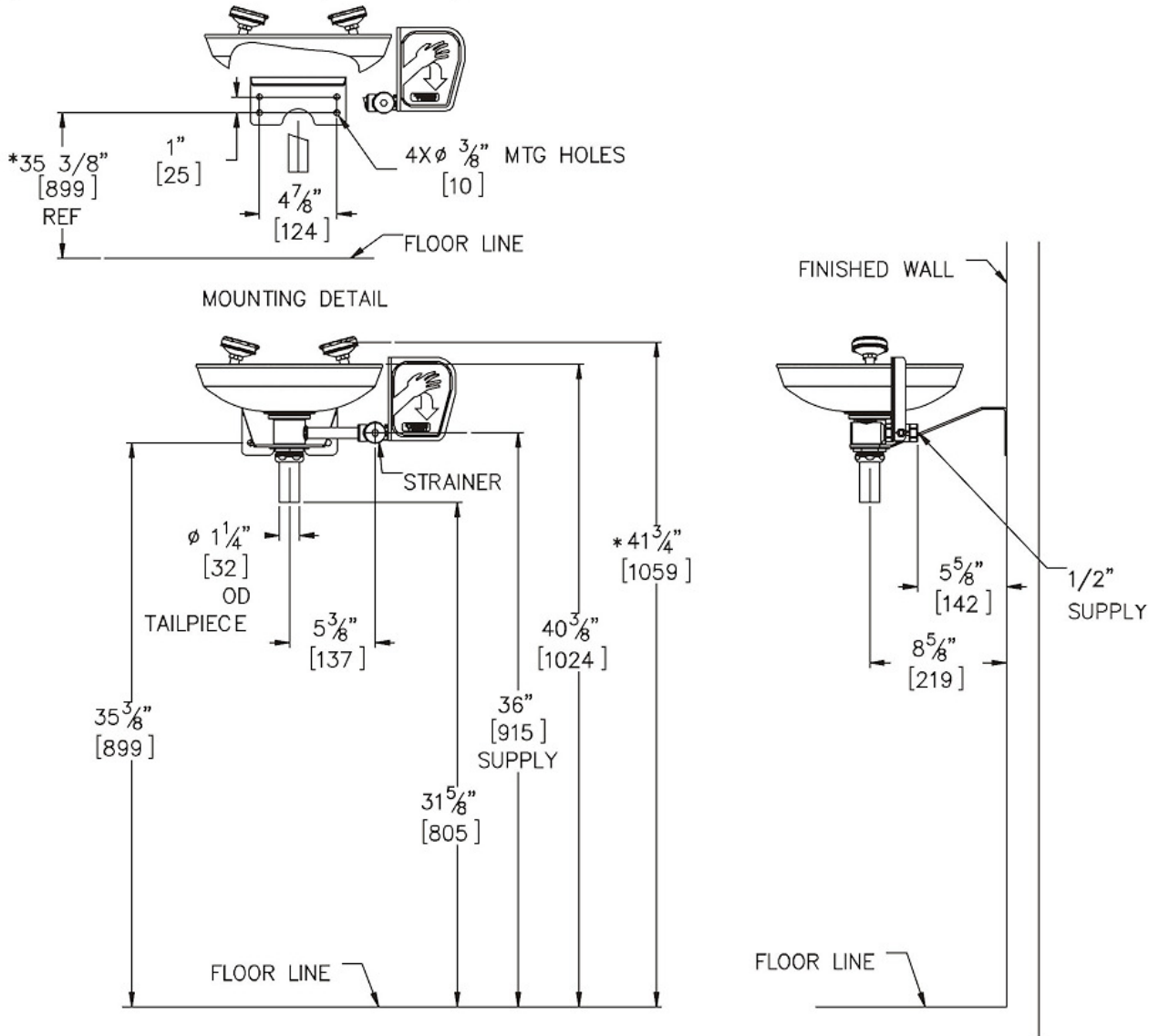
Universal Sign: ANSI compliant, vertical identification sign.

Weekly Test Tag: A water proof test card to record the date and inspector's name for weekly functional testing of the unit.

Compliances:

Test rating conditions are compliant to ANSI Z358.1-2009

□ Model S0420 : Wall Mounted Eye/Face Wash, Plastic Bowl



GENERAL NOTES:

1. ALL DIMENSIONS ARE IN INCHES [MM].
- *2. DIMENSIONS SHOWN ARE FOR NOMINAL ADULT HEIGHT. ANSI Z358.1 REQUIRES NOZZLES TO BE BETWEEN 33" [838] AND 45" [1143] ABOVE THE FLOOR.
3. P-TRAP NOT PROVIDED.