



jaga

Energy
SAVERS
LOW-H₂O

CANAL COMPACT & CANAL PLUS £ 2015.UK



Energy
SAVERS
LOW-H₂O

CANAL COMPACT & CANAL PLUS

Warm power,
perfectly integrated

Hidden ducts full of Low-H₂O power and comfort. Canal Compact and Canal Plus screen off the cold and are powerful enough to heat every inch of the room. Without impeding your view. The ideal primary heating solution for floor to ceiling windows and large sliding doors. After the trench has been mounted only the grille, which is available in several different materials and colours remains visible. Canal Compact and Canal Plus will fit in with every interior.

- Minimum installation time.
- Easy maintenance with optional flexible connection
- Waterproof insulated duct.
- Efficient hot air curtain for cold windows.
- Low-H₂O technology with super conductive and ultra fast heat exchanger for low energy consumption and maximum heat emission.
- **A 30 year guarantee** on the heat exchanger.





CANAL COMPACT & PLUS - SUMMARY

PRODUCT SUMMARY

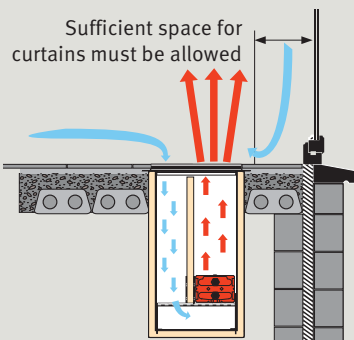
	CANAL COMPACT	CANAL PLUS		
R 1.5				
R 2.5				
R 3.0				
R 4.0				
	Watts/metre ribbed (LB) 1211	1510	1229	1848
	2682			

R	LB
1.5	L - 28
2.5	L - 31
3.0	L - 33
4.0	L - 39

Calculation example:
output of Canal Compact R 1.5, L 258
 $1211 \text{ Watts} \times \frac{(258-28)}{100} = 2785 \text{ Watts}$
(Watts/metre ribbed (LB) at 75/65/20)

Building in-opening: height H, length L and width B + 2 cm!

OPERATING PRINCIPLE



EVEN COMFORT TEMPERATURE

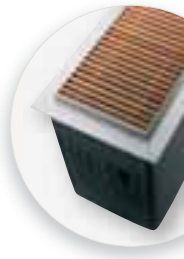
The downward cold air flow associated with glazed façades often causes discomfort. Canal Compact and Canal Plus ensure a warm air curtain: the cold air layer from the glass and the cooler return air on the floor are drawn in, heated and mixed with the warmer upper air so a balanced and even comfort temperature is achieved.

⚠ Heat exchanger always on the window side !

PRACTICAL ADVICE

Tests done by the Jaga Experience Lab and the Technical Department of the University of Eindhoven (The Netherlands) have proven that the most efficient heat output will be obtained when the heat exchanger is fitted on the window side of the duct. Ensure there is sufficient space between the duct and the window, as it is important that curtains do not hang over the duct. It is preferable that the heat exchanger covers the total length of the window.

COMPOSITION - CANAL COMPACT & PLUS



Grille

available in several design types and colours in anodized aluminium, several types of wood and stainless steel.

Separation wall

black polyurethane plate, thickness 2.5 cm.

Low-H₂O heat exchanger

copper tubes and pure aluminium fins, with brass collectors. Dark grey lacquered in RAL 7024.

Support

from electrolytic galvanized steel plate; thickness 1.5 mm. Dark grey lacquered in RAL 7024.

Waterproof polyester duct

with integrated natural coloured or black anodized frame.

Cover plate

fibreboard, 1.5 cm, with pre-assembled spacer sleeves (metre load max. 90 kg/m).

Brackets

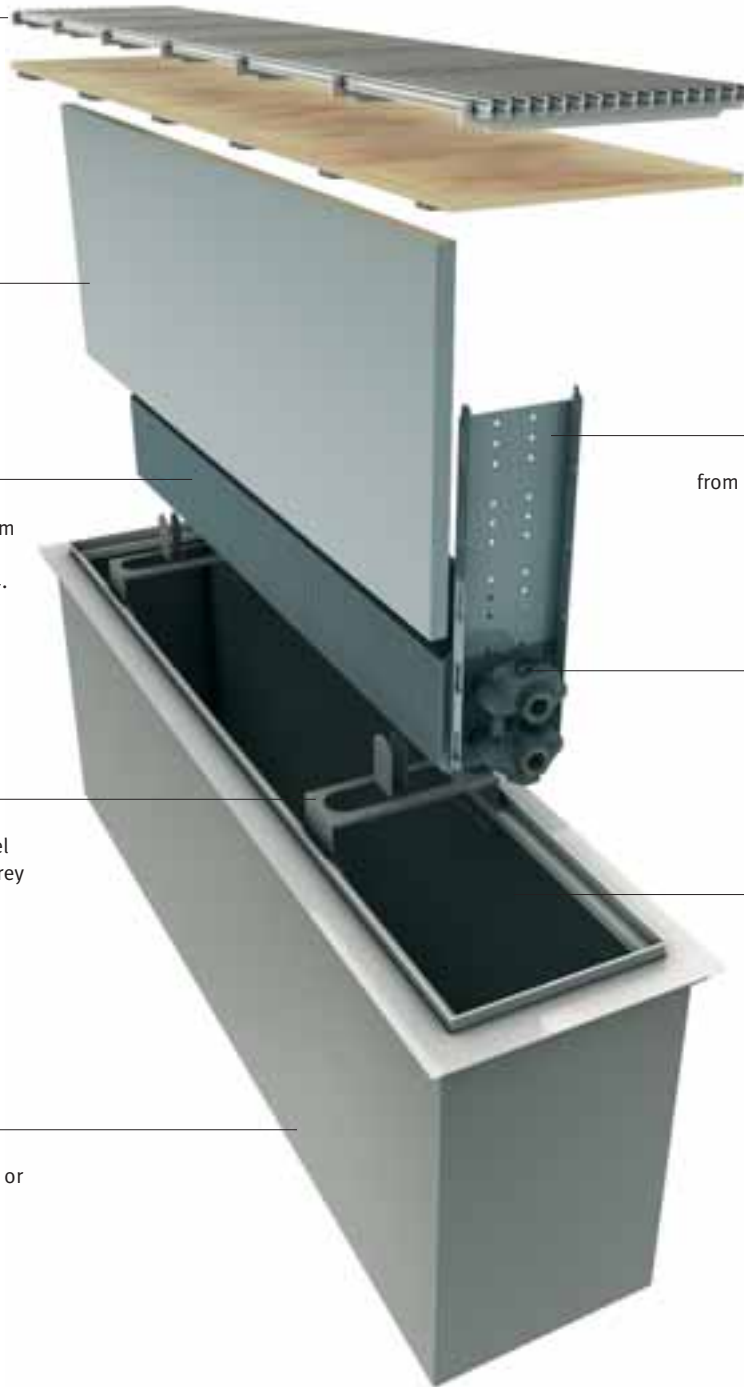
from electrolytic galvanized steel plate. Dark grey lacquered in RAL 7024.

Air vent

(or mount an air vent on the central heating system).

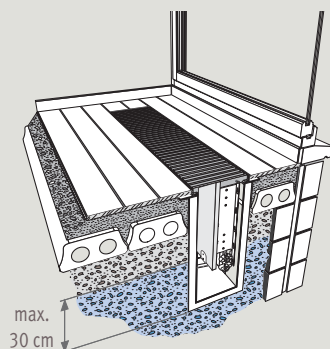
Inner finish

in dark grey polyethylene foam



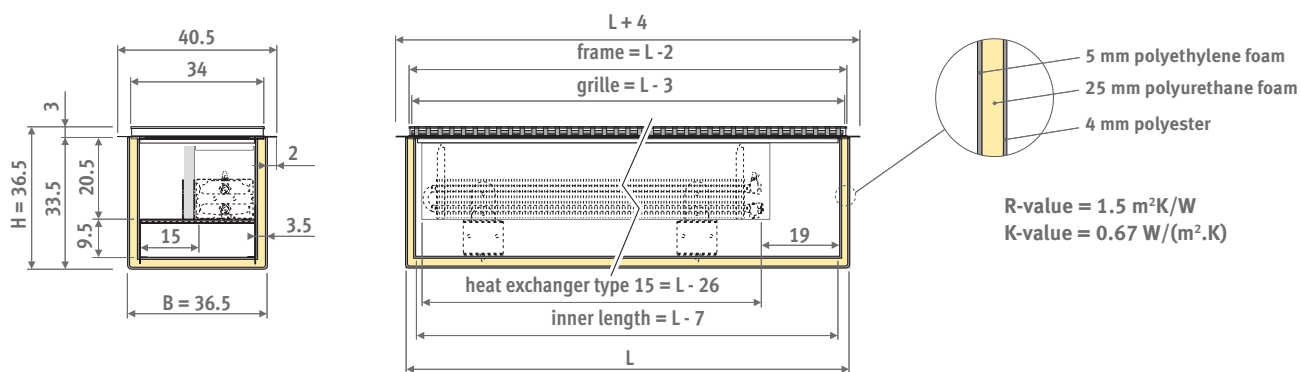
In case of a high water table (+30 cm) the upward pressure can seriously damage the polyester duct (leakage) and the floor (uplift).

Pipe lead-through: drill holes at ± 7.5 cm from the top of the frame and finish with waterproof set.

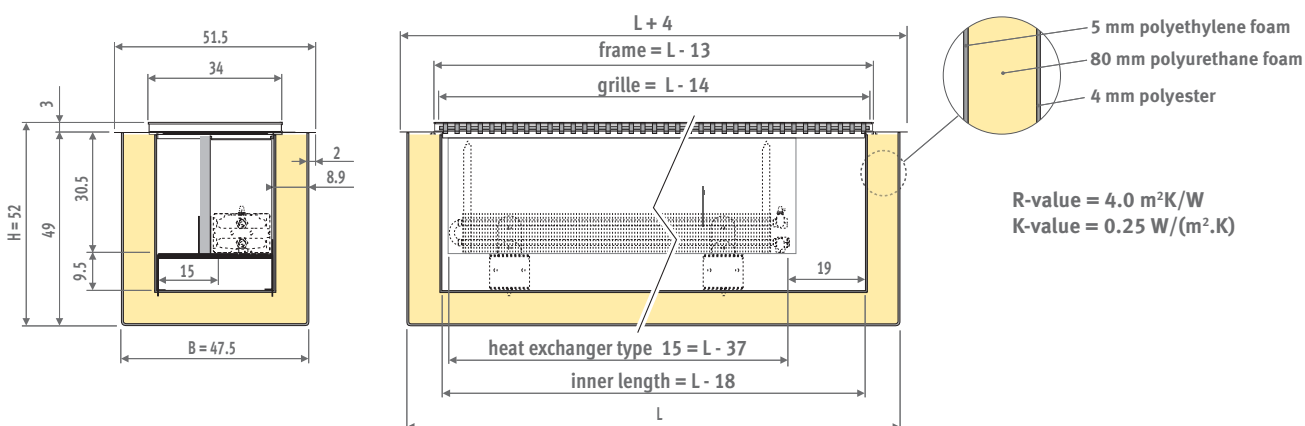


CANAL COMPACT - DIMENSIONS

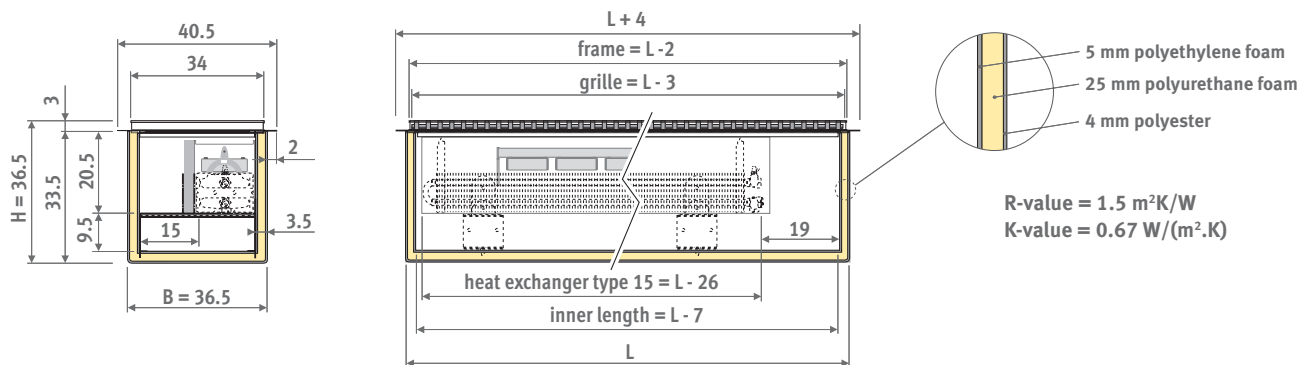
CANAL COMPACT POLYESTER R 1.5



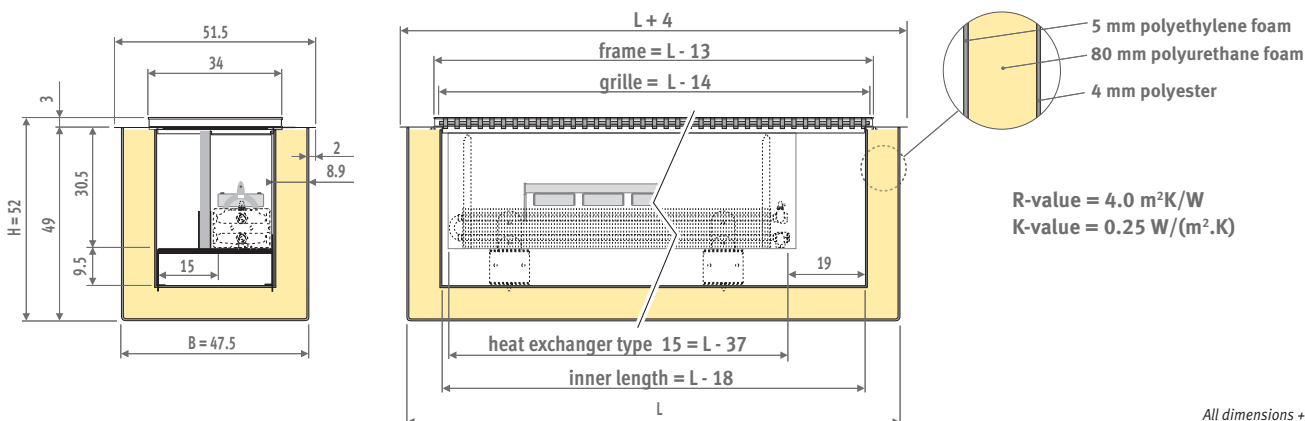
CANAL COMPACT POLYESTER R 4.0



CANAL COMPACT POLYESTER R 1.5 DBE

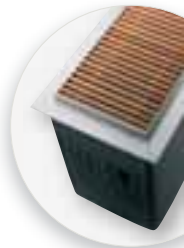


CANAL COMPACT POLYESTER R 4.0 DBE

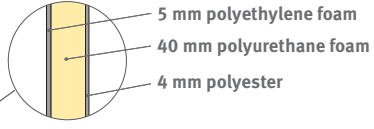
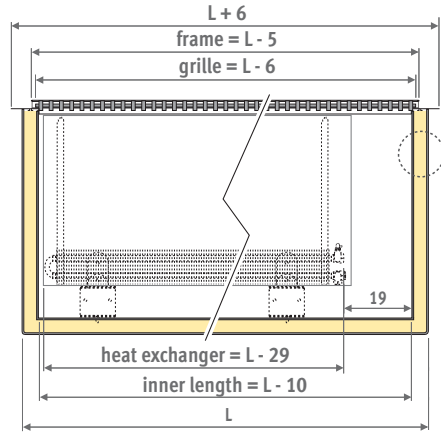
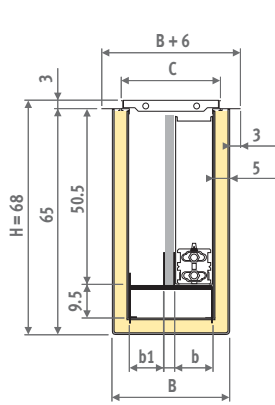


All dimensions +/- 0.2cm

DIMENSIONS - CANAL PLUS



CANAL PLUS POLYESTER R 2.5

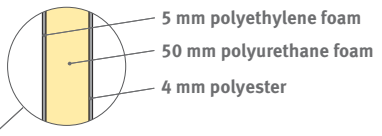
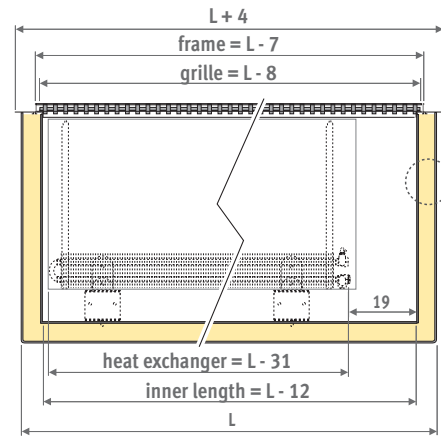
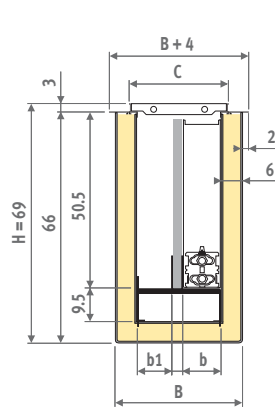


R-value = 2.5 m²K/W
K-value = 0.40 W/(m².K)

Corresponding widths

duct	frame	heat exchanger		
		type	b	b1
B	C			
35	30	10	10	12
39	34	15	15	12
51	46	20	20	17

CANAL PLUS POLYESTER R 3.0

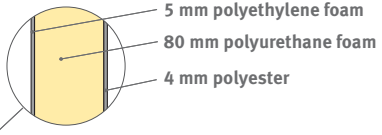
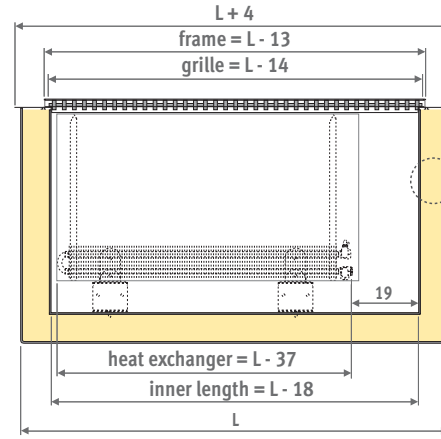
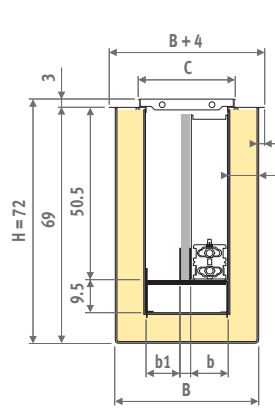


R-value = 3.0 m²K/W
K-value = 0.33 W/(m².K)

Corresponding widths

duct	frame	heat exchanger		
		type	b	b1
B	C			
37	30	10	10	12
41	34	15	15	12
53	46	20	20	17

CANAL PLUS POLYESTER R 4.0



R-value = 4.0 m²K/W
K-value = 0.25 W/(m².K)

Corresponding widths

duct	frame	heat exchanger		
		type	b	b1
B	C			
43	30	10	10	12
47	34	15	15	12
59	46	20	20	17

All dimensions +/- 0.2cm

CANAL COMPACT & PLUS

DELIVERY

Standard delivery:

- waterproof polyester duct, fully pre-mounted, with integrated black anodized frame
- grille
- cover plate (meter load max. 90 kg)
- Low-H₂O heat-exchanger, with supports, dark grey lacquered in RAL 7024
- black separation wall made of polyurethane foam
- straight air vent 1/8" and drain plug 1/2"

Delivery Canal Compact with DBE:

- number of DBE unit(s) varies according to the length
- operation and control
- 12 VDC control with water temperature sensor
- clamp connector for 12 VDC, directly on the control board
- mounting instructions
- packed with the radiator

ORDERING CODE

CANAL COMPACT

code	height	length	width	grille
CCXX.	036	178	036	/ XXX

enter grille code

CC15: Canal Compact R 1.5
CC40: Canal Compact R 4.0

ORDERING CODE

CANAL COMPACT WITH DBE

code	height	length	width	grille	Option
CCXX.	036	178	036	/ XXX	/DBE

enter grille code

CC15: Canal Compact R 1.5
CC40: Canal Compact R 4.0

ORDERING CODE

CANAL PLUS

code	height	length	width	grille
CPXX.	068	121	035	/ XXX

enter grille code

CP25: Canal Plus R 2.5
CP30: Canal Plus R 3.0
CP40: Canal Plus R 4.0

HYDRAULIC CONNECTION

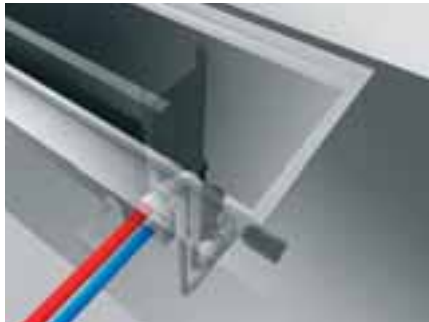
There are several ways to connect the heat exchanger:

- to the central control system, temperature regulators via room thermostat or BMS (no valve in the duct).
- with manual valve in the duct.
- with thermostatic valve in the duct: in this case it is best to provide a head with remote control outside the duct. Control is simple and the thermostat will provide better measurement of the ambient temperature.

Pipe lead-through: drill holes at ± 7.5 cm from the top of the frame and finish with waterproof set.

CONNECTION SETS

with thermostatic head in the duct



with remote control



set
72

CODE 2-PIPE £



COMC.JV2.JB.3... 87.10



COMC.JV2.RD.3... 62.70

enter sleeve coupling code

Precision metal tube 14/1 114
Precision metal tube 15/1 115
Precision metal tube 16/1 116
RPE/ALU tube 16/2 316

Other connection sets

See chapter "Connection sets and valves" for all connection options and technical information

ELECTRICAL CONNECTION

CANAL COMPACT DBE

Pipe lead-through: drill holes at ± 7.5 cm from the top of the frame and finish with waterproof set.

Option VAC:

for connection to 230 VAC with waterproof power and cable gland in the duct
Fill up ordering code with /VAC

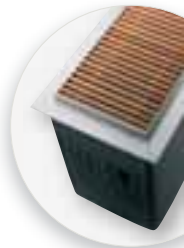
CODE	£/piece
CCXX.HHH LLL BB/XXX/VAC	174.80

Option VDC:

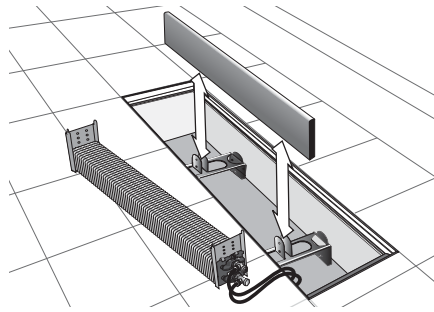
plug-in wall power supply 230 VAC/12VDC.
Fill up ordering code with /VDC

CODE	£/piece
CCXX.HHH LLL BB/XXX/VDC	74.80

OPTIONS - CANAL COMPACT & PLUS



FLEXIBLE STAINLESS STEEL CONNECTION



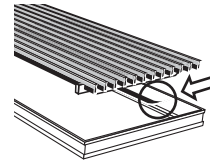
1/2 male thread 1/2" female thread

- makes the Low-H₂O heat exchanger detachable for maintenance, even after hydraulic connection
- simple and fast assembly
- highest quality stainless steel
- length 60 cm (stretches to around 1 m)
- 100% diffusion proofed
- prevents squeezing shut in bends
- welded connection

CODE	£/piece
CCFC.000060	36.40

Complete connection sets with or without flexible connections: see Connection set & Valves.

COVER STRIP



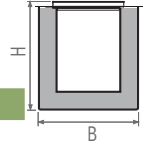
For aluminium and wood grilles (not for stainless steel). Black adhesive rubber strip, thickness 0.5 mm.

To hide the bottom edge of the frame and to avoid contact noises. Order the number of rolls required according to the circumference of the frame: $(B + L) \times 2$.

CODE		£
7690.02	Roll 6 metre	17.20



CANAL COMPACT

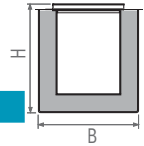


			Watts 75/65	Watts 55/45	DMN DON DBN	RON RMN RBN	DMV DOV DBV	RMV	ROV RBV	RNA DNA	DBL DDB	RBL RDB	SNA	SBL SDB	ANA	RSS	SNC/XXX	DNC/XXX		
H	L	B	R 1.5																	CC15.HHH LLL BB/XXX
036	178	36	1817	906	717.70	574.80	605.80	815.80	646.80	695.90	701.30	720.00	720.00	630.00	676.10	839.30	1424.00	676.10	769.80	
	198		2059	1027	791.40	632.20	666.70	900.70	712.30	767.00	773.10	793.80	793.80	693.70	744.90	874.00	1578.50	744.90	849.40	
	218		2301	1148	880.00	704.50	742.50	1000.50	792.80	853.10	859.80	882.80	882.80	772.10	828.80	971.10	1747.90	828.80	943.90	
	238		2543	1268	973.00	781.00	822.70	1104.60	877.60	943.50	950.80	975.80	975.80	855.10	916.90	1072.50	1921.60	916.90	1042.70	
	258		2786	1389	1048.00	839.70	884.90	1190.90	944.60	1016.00	1024.00	1051.10	1051.10	920.10	987.20	1156.00	2077.50	987.20	1123.80	
H	L	B	R 4.0																	CC40.HHH LLL BB/XXX
052	189	47	2265	1130	791.00	648.10	679.10	889.00	720.00	769.00	774.40	793.20	793.20	703.20	749.30	865.10	1497.20	749.30	842.90	
	209		2567	1280	870.80	711.60	746.10	980.20	791.70	846.40	852.50	873.30	873.30	773.10	824.40	953.50	1657.90	824.40	928.80	
	229		2869	1431	965.70	790.00	828.20	1086.10	878.40	938.60	945.30	968.30	968.30	857.90	914.40	1056.60	1833.50	914.40	1029.50	
	249		3171	1581	1064.80	872.90	914.50	1196.40	969.40	1035.30	1042.60	1067.60	1067.60	946.90	1008.70	1164.30	2013.40	1008.70	1134.50	
	269		3473	1732	1146.10	937.80	982.90	1289.00	1042.60	1114.00	1122.00	1149.10	1149.10	1018.10	1085.20	1254.00	2175.50	1085.20	1221.80	
	289		3775	1883	1228.00	1003.40	1052.10	1382.10	1116.50	1193.50	1202.00	1231.40	1231.40	1090.00	1162.40	1344.50	2338.30	1162.40	1309.70	
	309		4077	2033	1309.30	1068.40	1120.60	1474.70	1189.60	1272.40	1281.50	1313.00	1313.00	1161.30	1239.00	1434.30	2500.40	1239.00	1397.10	
	329		4379	2184	1390.90	1133.60	1189.40	1567.40	1263.10	1351.40	1361.30	1394.90	1394.90	1232.90	1315.90	1524.40	2662.80	1315.90	1484.50	

Output at 20°C room temperature. Prices in £, VAT excluded.

Output correction factor: see pages 90 - 93.

CANAL COMPACT DBE

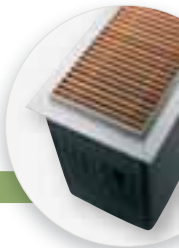


			Watts 75/65	Watts 55/45	Watts 45/38	DMN DON DBN	RON RMN RBN	DMV DOV DBV	RMV	ROV RBV	RNA DNA	DBL DDB	RBL RDB	SNA	SBL SDB	ANA	RSS	SNC/ XXX	DNC/ XXX	
H	L	B	R 1.5																	CC15.HHH LLL BB/XXX/DBE
036	178	36	2817	1690	1211	1101.40	958.60	989.50	1199.50	1030.40	1079.50	1084.90	1103.70	1103.70	1013.70	1059.80	1246.00	1807.50	1059.80	1153.40
	198		3059	1835	1315	1175.00	1015.90	1050.40	1284.40	1096.00	1150.60	1156.70	1177.60	1177.60	1077.30	1128.60	1257.70	1962.00	1128.60	1233.00
	218		3551	2131	1527	1338.50	1162.90	1201.00	1459.00	1251.30	1311.50	1318.20	1341.20	1341.20	1230.70	1287.30	1429.50	2206.20	1287.30	1402.40
	238		3793	2276	1631	1431.40	1239.50	1281.10	1563.10	1336.00	1402.00	1409.30	1434.40	1434.40	1313.60	1375.40	1531.00	2379.90	1375.40	1501.20
	258		4286	2572	1843	1581.30	1373.00	1418.20	1724.20	1477.70	1549.30	1557.20	1584.40	1584.40	1453.30	1520.50	1689.20	2610.50	1520.50	1657.00
H	L	B	R 4.0																	CC40.HHH LLL BB/XXX/DBE
052	189	47	3265	1959	1404	1174.60	1031.80	1062.80	1272.70	1103.70	1152.80	1158.20	1176.80	1176.80	1086.90	1132.90	1248.70	1880.70	1132.90	1226.60
	209		3567	2140	1534	1254.50	1095.30	1129.90	1363.80	1175.40	1230.10	1236.20	1256.90	1256.90	1156.70	1208.00	1337.10	2041.40	1208.00	1312.50
	229		4119	2471	1771	1424.10	1248.50	1286.60	1544.50	1337.00	1397.10	1403.80	1426.80	1426.80	1316.30	1372.80	1515.10	2291.70	1372.80	1487.90
	249		4421	2653	1901	1598.00	1406.10	1447.70	1729.70	1502.70	1568.50	1575.80	1600.90	1600.90	1480.10	1542.00	1697.60	2546.50	1542.00	1667.80
	269		4973	2984	2138	1679.30	1471.10	1516.20	1822.20	1575.80	1647.20	1655.30	1682.40	1682.40	1551.30	1618.50	1787.20	2708.50	1618.50	1755.00
	289		5275	3165	2268	1761.30	1536.70	1585.30	1915.40	1649.80	1726.70	1735.30	1764.70	1764.70	1623.30	1695.70	1877.80	2871.30	1695.70	1842.90
	309		5577	3346	2398	1842.60	1601.70	1653.90	2008.00	1722.90	1805.60	1814.80	1846.20	1846.20	1694.60	1772.20	1967.50	3033.50	1772.20	1930.30
	329		5879	3527	2528	1924.10	1666.90	1722.60	2100.70	1796.40	1884.60	1894.50	1928.00	1928.00	1766.10	1849.10	2057.70	3195.80	1849.10	2017.80

Output at 20°C room temperature. Prices in £, VAT excluded.

R 2.5 - CANAL PLUS

CP25.068 LLL BB/XXX



		Watts 75/65	Watts 55/45	DMN DON DBN	RON RBN	DMV DOV DBV	ROV RBV	RNA DNA	DBL DDB	RBL RDB	SNA	SBL SDB	ANA	RSS	SNC/XXX	DNC/XXX		
H L	B 35																	
068	121	1016	507	515.00	436.30	454.10	558.20	470.10	496.40	542.60	552.80	464.60	485.10	450.80	895.80	517.00	618.70	
	131	1134	566	553.60	468.00	487.30	600.50	504.70	533.30	583.50	594.70	594.70	498.80	520.90	485.40	967.50	555.60	666.10
	141	1253	625	580.20	494.60	514.00	627.10	531.40	560.00	610.20	621.30	621.30	525.40	547.70	520.00	1039.70	584.50	695.10
	161	1490	743	669.30	563.30	587.20	727.60	608.80	644.30	706.60	720.40	720.40	601.40	629.00	588.70	1182.80	671.30	808.50
	181	1726	861	756.20	636.40	663.40	822.00	687.90	727.90	798.20	813.70	813.70	679.40	710.50	665.20	1336.00	758.40	913.20
	201	1964	979	833.80	700.20	730.30	907.00	757.60	802.20	880.70	897.90	897.90	748.30	782.90	734.50	1479.90	836.00	1008.70
	221	2204	1099	912.00	764.90	798.10	992.80	828.20	877.20	963.70	982.80	982.80	817.80	855.90	804.20	1624.50	914.40	1104.80
	241	2445	1219	976.60	829.40	862.60	1057.30	892.60	941.70	1028.20	1047.40	1047.40	882.20	920.50	882.40	1780.10	983.50	1173.80
	261	2688	1341	1080.20	905.70	945.00	1176.10	980.70	1039.10	1141.60	1164.30	1164.30	968.60	1013.80	952.70	1942.00	1082.60	1308.50
	281	2931	1462	1175.90	987.70	1030.20	1279.30	1068.60	1131.50	1242.10	1266.50	1266.50	1055.40	1104.30	1035.90	2087.50	1178.50	1422.10
	301	3179	1585	1255.00	1052.90	1098.40	1365.80	1139.70	1207.20	1325.80	1352.10	1352.10	1125.60	1178.00	1106.40	2232.80	1257.50	1518.80
	321	3426	1709	1333.20	1117.50	1166.20	1451.60	1210.20	1282.20	1409.00	1436.90	1436.90	1195.10	1251.10	1176.10	2377.30	1336.00	1615.00

		Watts 75/65	Watts 55/45	DMN DON DBN	RON RBN	DMV DOV DBV	ROV RBV	RNA DNA	DBL DDB	RBL RDB	SNA	SBL SDB	ANA	RSS	SNC/XXX	DNC/XXX		
H L	B 39																	
068	121	1663	829	560.00	476.20	495.00	620.30	520.00	549.50	585.30	595.80	595.80	510.50	533.50	495.50	994.20	566.20	663.30
	131	1855	925	602.20	511.30	531.60	667.80	558.70	591.00	629.60	641.30	641.30	548.60	573.50	533.80	1074.30	608.80	714.30
	141	2047	1021	645.00	546.70	568.70	715.70	598.00	632.70	674.60	687.00	687.00	587.00	613.90	572.20	1154.90	652.10	766.10
	161	2432	1213	729.10	616.40	641.70	810.40	675.30	715.20	763.30	777.50	777.50	662.60	693.60	648.50	1314.80	737.00	868.00
	181	2820	1406	827.10	699.70	728.30	918.80	766.20	811.30	865.60	881.60	881.60	751.90	786.90	735.10	1488.30	836.00	983.60
	201	3210	1601	912.40	770.30	802.20	1014.60	844.50	894.80	955.20	973.20	973.20	828.60	867.50	812.10	1649.40	922.10	1086.80
	221	3544	1767	1011.30	854.80	889.80	1124.00	936.50	991.80	1058.50	1078.40	1078.40	918.90	961.90	899.50	1823.80	1021.70	1203.40
	241	3901	1945	1113.70	942.60	980.80	1236.90	1031.90	1092.40	1165.40	1187.00	1187.00	1012.60	1059.60	989.90	2001.90	1125.00	1323.50
	261	4232	2111	1201.00	1015.40	1057.00	1334.70	1112.20	1178.00	1257.20	1280.40	1280.40	1091.50	1142.30	1068.40	2181.40	1213.10	1428.50
	281	4563	2276	1304.90	1104.60	1149.40	1449.10	1209.10	1280.00	1365.40	1390.60	1390.60	1186.60	1241.60	1159.70	2344.40	1317.80	1550.10
	301	4882	2435	1392.20	1177.30	1225.40	1546.90	1289.50	1365.60	1457.10	1484.20	1484.20	1265.50	1324.30	1238.10	2507.50	1406.10	1655.40
	321	5039	2513	1478.90	1249.50	1300.80	1644.00	1369.30	1450.50	1548.10	1577.20	1577.20	1343.50	1406.40	1316.10	2669.80	1493.50	1759.60

		Watts 75/65	Watts 55/45	DMN DON DBN	RON RBN	DMV DOV DBV	ROV RBV	RNA DNA	DBL DDB	RBL RDB	SNA	SBL SDB	ANA	RSS	SNC/XXX	DNC/XXX		
H L	B 51																	
068	121	2414	1204	643.20	542.70	565.40	728.90	602.40	639.70	659.60	671.40	671.40	595.20	626.60	589.80	1233.10	660.50	743.40
	131	2692	1343	692.50	583.30	608.10	785.80	648.10	688.80	710.30	723.20	723.20	640.40	674.40	636.10	1333.80	711.30	801.20
	141	2968	1480	742.50	624.30	651.00	843.00	694.30	738.30	761.50	775.40	775.40	686.10	722.80	682.80	1435.00	762.50	859.80
	161	3303	1647	852.70	717.20	747.90	968.20	797.50	848.00	874.70	890.80	890.80	788.00	830.20	784.30	1648.20	875.60	987.40
	181	3881	1935	969.20	816.00	850.70	1099.60	906.80	963.90	993.90	1012.00	1012.00	896.00	943.70	890.60	1867.30	994.90	1120.90
	201	4454	2221	1069.20	898.50	937.10	1214.60	999.60	1063.20	1096.80	1116.90	1116.90	987.70	1040.80	984.10	2070.20	1097.50	1238.10
	221	5026	2506	1169.80	981.60	1024.10	1330.10	1092.90	1163.10	1200.10	1222.40	1222.40	1079.80	1138.40	1077.90	2273.30	1200.80	1355.70
	241	5577	2781	1291.40	1085.70	1132.20	1466.60	1207.50	1284.20	1324.60	1348.90	1348.90	1193.20	1257.20	1188.10	2497.80	1325.20	1494.70
	261	6115	3050	1393.50	1170.20	1220.80	1583.60	1302.50	1385.70	1429.60	1455.90	1455.90	1286.90	1356.40	1283.40	2719.20	1430.10	1614.00
	281	6632	3307	1512.00	1271.20	1325.70	1717.00	1413.80	1503.50	1550.80	1579.30	1579.30	1396.90	1471.90	1391.30	2924.00	1551.40	1749.60
	301	7142	3562	1614.20	1355.80	1414.30	1834.10	1508.90	1605.10	1655.80	1686.40	1686.40	1490.80	1571.10	1486.40	3128.90	1656.30	1869.10
	321	7646	3813	1715.80	1440.10	1502.40	1950.70	1603.50	1706.10	1760.30	1792.90	1792.90	1584.10	1669.90	1581.10	3333.30	1760.70	1987.90

Output at 20°C room temperature. Prices in £, VAT excluded.

GRILLE CODES

Designo rigid aluminium grilles

			
DNA natural coloured	DBL black	DDB dark brown	DNC/XXX (colour) lacquered

DDB, SDB and RDB with black frame

Designo roll-up wooden grilles

		
DMN merbau varnished	DON oak varnished	DBN beech varnished




Rigid aluminium grilles

			
SNA natural coloured	SBL black	SDB dark brown	SNC/XXX (colour) lacquered

Roll-up wooden grilles

		
RMN merbau varnished	RON oak varnished	RBN beech varnished

roll-up aluminium grilles

			
RNA natural coloured	RBL black	RDB dark brown	RSS stainless steel

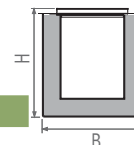
Special grilles

	
ANA alu. natural col.	PNC cast aluminium

Order a complete Canal Compact/Canal Plus without grille p. 338-340 and a separate grille PNC p. 343

CANAL PLUS - R 3.0

CP30.069 LLL BB/XXX



			DMN DON	RON	DMV DOV	ROV	RNA	DBL	RBL	SBL	ANA	RSS	SNC/XXX	DNC/XXX			
Watts 75/65	Watts 55/45		DBN	RBN	DBV	RBV	DNA	DDB	RDB	SNA	SDB						
H L	B 37																
069	123	1016 507	540.70	462.00	479.60	583.80	495.70	522.00	568.30	578.40	578.40	490.30	510.60	469.80	921.30	543.00	644.70
	133	1134 566	580.90	495.40	514.70	627.80	532.10	560.70	610.90	622.00	622.00	526.10	548.30	505.70	994.90	583.30	694.00
	143	1253 625	621.50	529.20	550.00	672.30	568.80	599.70	654.00	665.90	665.90	562.40	586.40	541.70	1068.60	624.10	743.50
	163	1490 743	701.90	595.80	619.70	760.00	641.40	676.80	739.00	752.90	752.90	633.90	661.40	613.00	1215.20	704.40	841.60
	183	1726 861	792.30	672.50	699.40	858.00	723.90	764.00	834.20	849.80	849.80	715.40	746.60	692.00	1372.00	794.90	949.70
	203	1964 979	873.30	739.90	769.90	946.50	797.30	841.80	920.20	937.60	937.60	787.90	822.50	763.80	1519.40	876.00	1048.70
	223	2204 1099	955.10	808.00	841.20	1035.90	871.30	920.40	1006.80	1026.00	1026.00	860.90	899.10	836.20	1667.60	957.80	1148.30
	243	2445 1219	1047.70	886.80	923.10	1136.00	956.00	1009.70	1104.20	1125.00	1125.00	944.70	986.40	917.00	1826.60	1050.50	1258.70
	263	2688 1341	1130.30	955.70	995.10	1226.20	1030.70	1089.10	1191.60	1214.20	1214.20	1018.50	1063.80	989.90	1991.90	1133.30	1359.10
	283	2931 1462	1229.50	1041.20	1083.70	1332.90	1122.20	1185.10	1295.60	1320.10	1320.10	1108.80	1157.80	1075.70	2141.00	1232.50	1476.10
	303	3179 1585	1312.10	1110.00	1155.50	1422.90	1196.80	1264.30	1382.90	1409.20	1409.20	1182.70	1235.10	1148.70	2289.90	1315.10	1576.30
	323	3426 1709	1393.80	1178.10	1226.80	1512.30	1270.90	1342.80	1469.60	1497.50	1497.50	1255.70	1311.80	1221.10	2438.00	1396.90	1676.00

H L	B 41																
069	123	1663 829	586.60	502.80	521.60	646.80	546.50	576.20	611.80	622.30	622.30	537.20	560.10	515.20	1020.80	593.30	690.50
	133	1855 925	630.40	539.60	559.80	696.00	587.00	619.20	657.90	669.40	669.40	576.80	601.70	555.00	1102.70	637.90	743.40
	143	2047 1021	675.20	576.90	598.90	745.90	628.20	663.00	704.80	717.20	717.20	617.20	644.10	594.80	1185.10	682.90	796.80
	163	2432 1213	762.90	650.10	675.40	844.20	709.10	749.00	797.10	811.20	811.20	696.40	727.40	673.70	1348.60	771.70	902.50
	183	2820 1406	864.60	737.00	765.60	956.30	803.50	848.70	902.90	918.90	918.90	789.40	824.30	763.00	1525.90	874.00	1021.70
	203	3210 1601	953.60	811.50	843.30	1055.80	885.70	936.00	996.40	1014.40	1014.40	869.80	908.60	842.70	1690.50	963.90	1128.60
	223	3544 1767	1056.00	899.50	934.50	1168.80	981.20	1036.60	1103.20	1123.10	1123.10	963.70	1006.60	932.80	1868.60	1067.10	1248.80
	243	3901 1945	1162.10	990.90	1029.30	1285.30	1080.20	1140.80	1213.80	1235.30	1235.30	1061.10	1108.00	1025.90	2050.30	1174.10	1372.60
	263	4232 2111	1252.90	1067.20	1108.80	1386.60	1164.20	1229.90	1309.00	1332.40	1332.40	1143.50	1194.20	1107.00	2233.30	1266.00	1481.40
	283	4563 2276	1360.40	1160.10	1204.90	1504.70	1264.70	1335.70	1421.00	1446.10	1446.10	1242.30	1297.20	1201.20	2400.10	1374.20	1606.50
	303	4882 2435	1451.60	1236.70	1284.80	1606.30	1348.90	1425.00	1516.50	1543.60	1543.60	1324.90	1383.70	1282.40	2566.80	1466.20	1715.50
	323	5039 2513	1541.80	1312.40	1363.80	1707.00	1432.20	1513.40	1611.10	1640.10	1640.10	1406.40	1469.30	1363.10	2732.70	1557.20	1823.30

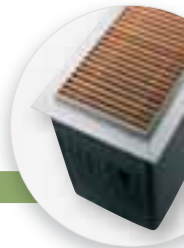
H L	B 53																
069	123	2414 1204	672.30	571.70	594.50	758.00	631.30	668.70	688.50	700.30	700.30	624.20	655.50	611.50	1262.10	690.10	773.00
	133	2692 1343	723.60	614.30	639.10	816.80	679.10	719.80	741.30	754.20	754.20	671.40	705.40	659.20	1364.90	742.90	832.90
	143	2968 1480	775.40	657.30	684.00	876.00	727.30	771.30	794.40	808.40	808.40	719.10	755.80	707.40	1468.10	796.10	893.40
	163	3303 1647	889.70	754.10	784.80	1005.30	834.40	885.00	911.70	927.70	927.70	824.90	867.20	811.90	1685.10	913.20	1025.00
	183	3881 1935	1010.20	857.00	891.60	1140.60	947.60	1004.70	1034.90	1052.90	1052.90	936.90	984.70	921.20	1908.30	1036.50	1162.50
	203	4454 2221	1114.20	943.50	982.20	1259.50	1044.60	1108.20	1141.70	1161.90	1161.90	1032.70	1085.80	1017.80	2115.20	1143.30	1283.90
	223	5026 2506	1218.60	1030.40	1073.00	1378.80	1141.80	1211.90	1248.90	1271.20	1271.20	1128.70	1187.30	1114.50	2322.30	1250.40	1405.50
	243	5577 2781	1344.20	1138.50	1185.10	1519.40	1260.40	1337.00	1377.50	1401.70	1401.70	1246.00	1310.00	1227.70	2550.80	1378.80	1548.20
	263	6115 3050	1450.40	1227.10	1277.60	1640.50	1359.30	1442.60	1486.40	1512.70	1512.70	1343.80	1413.20	1325.80	2776.10	1487.80	1671.60
	283	6632 3307	1572.80	1332.00	1386.50	1777.90	1474.60	1564.50	1611.70	1640.20	1640.20	1457.80	1532.80	1436.70	2984.80	1613.00	1811.30
	303	7142 3562	1679.10	1420.70	1479.20	1899.00	1573.80	1670.00	1720.70	1751.30	1751.30	1555.70	1636.00	1534.80	3193.80	1722.00	1934.80
	323	7646 3813	1784.50	1508.80	1571.10	2019.50	1672.20	1775.00	1829.00	1861.60	1861.60	1652.90	1738.70	1632.70	3402.20	1830.40	2057.50

Output at 20°C room temperature. Prices in £, VAT excluded.

Output correction factor: see pages 90 - 93.

R 4.0 - CANAL PLUS

CP40.072 LLL BB/XXX



		Watts 75/65	Watts 55/45	DMN DON DBN	RON RBN	DMV DOV DBV	ROV RBV	RNA DNA	DBL DDB	RBL RDB	SNA	SBL SDB	ANA	RSS	SNC/XXX	DNC/XXX		
H L	B 43																	
072	129	1016	507	595.90	517.20	535.00	639.10	551.00	577.30	623.50	633.70	633.70	545.50	566.00	511.10	976.70	599.80	701.50
	139	1134	566	639.50	553.90	573.20	686.40	590.60	619.20	669.40	680.60	680.60	584.70	606.90	496.70	1053.40	643.30	754.00
	149	1253	625	683.40	591.00	611.80	734.10	630.70	661.50	715.80	727.80	727.80	624.30	648.20	531.60	1130.50	687.40	806.80
	169	1490	743	770.20	664.20	688.20	828.50	709.70	745.20	807.50	821.30	821.30	702.30	729.90	600.50	1283.70	774.40	911.60
	189	1726	861	867.20	747.30	774.40	933.00	798.80	838.90	909.20	924.70	924.70	790.40	821.50	676.30	1447.00	871.40	1026.30
	209	1964	979	954.80	821.30	851.30	1028.00	878.70	923.20	1001.70	1019.00	1019.00	869.30	904.00	745.70	1600.90	959.10	1131.80
	229	2204	1099	1043.10	896.00	929.10	1123.80	959.30	1008.30	1094.80	1113.90	1113.90	948.80	987.10	815.60	1755.60	1047.60	1237.90
	249	2445	1219	1142.30	981.40	1017.70	1230.60	1050.50	1104.30	1198.80	1219.60	1219.60	1039.40	1081.10	893.20	1921.10	1146.70	1354.90
	269	2688	1341	1231.40	1056.80	1096.20	1327.20	1131.80	1190.20	1292.70	1315.40	1315.40	1119.70	1164.90	963.50	2093.10	1236.10	1461.90
	289	2931	1462	1337.10	1148.90	1191.30	1440.50	1229.80	1292.70	1403.30	1427.70	1427.70	1216.50	1265.50	1156.00	2248.70	1341.90	1585.50
	309	3179	1585	1426.30	1224.20	1269.70	1537.10	1311.00	1378.50	1497.10	1523.40	1523.40	1296.90	1349.20	1115.80	2404.00	1431.00	1692.30
	329	3426	1709	1514.60	1298.80	1347.50	1632.90	1391.50	1463.50	1590.30	1618.20	1618.20	1376.30	1432.40	1185.80	2558.70	1519.40	1798.50

H L	B 47																	
072	129	1663	829	644.00	560.20	579.00	704.30	603.90	633.60	669.20	679.70	679.70	594.60	617.60	558.00	1078.30	652.20	749.30
	139	1855	925	691.30	600.40	620.80	756.90	647.80	680.20	718.70	730.30	730.30	637.60	662.60	600.30	1163.40	700.10	805.60
	149	2047	1021	739.30	641.10	663.10	810.10	692.30	727.20	769.00	781.40	781.40	681.40	708.20	642.60	1249.20	748.50	862.50
	169	2432	1213	834.00	721.10	746.50	915.20	780.10	820.00	868.10	882.20	882.20	767.40	798.40	726.50	1419.60	844.10	974.90
	189	2820	1406	942.40	814.90	843.50	1034.20	881.50	926.60	980.80	996.80	996.80	867.30	902.20	821.00	1603.70	953.30	1100.90
	209	3210	1601	1038.00	896.10	927.90	1140.40	970.20	1020.60	1081.00	1099.00	1099.00	954.30	993.20	905.70	1775.10	1049.90	1214.60
	229	3544	1767	1147.40	990.90	1026.00	1260.20	1072.70	1128.00	1194.60	1214.50	1214.50	1055.10	1098.00	1000.80	1960.00	1160.00	1341.70
	249	3901	1945	1260.30	1089.10	1127.50	1383.40	1178.40	1239.00	1312.00	1333.50	1333.50	1159.20	1206.10	1098.90	2148.40	1273.70	1472.20
	269	4232	2111	1357.90	1172.30	1213.90	1491.70	1269.10	1334.90	1414.10	1437.50	1437.50	1248.40	1299.30	1185.20	2338.30	1372.40	1587.80
	289	4563	2276	1472.30	1272.00	1316.80	1616.60	1376.50	1447.50	1532.90	1558.00	1558.00	1354.20	1409.10	1284.20	2511.90	1487.40	1719.70
	309	4882	2435	1570.20	1355.20	1403.40	1724.80	1467.40	1543.50	1635.00	1662.10	1662.10	1443.40	1502.20	1370.50	2685.30	1586.20	1835.40
	329	5039	2513	1667.10	1437.80	1489.20	1832.40	1557.60	1638.80	1736.50	1765.40	1765.40	1531.80	1594.70	1456.20	2858.00	1684.10	1950.20

H L	B 59																	
072	129	2414	1204	735.20	634.60	657.40	820.90	694.20	731.60	751.40	763.30	763.30	687.10	718.40	658.30	1325.00	754.50	837.30
	139	2692	1343	790.20	680.90	705.60	883.40	745.70	786.30	807.90	820.90	820.90	738.00	772.00	708.70	1431.50	811.00	901.10
	149	2968	1480	845.70	727.60	754.30	946.30	797.60	841.70	864.80	878.70	878.70	789.40	826.10	759.80	1538.40	867.90	965.10
	169	3303	1647	967.50	831.90	862.60	1083.10	912.20	962.80	989.50	1005.50	1005.50	902.70	944.90	869.90	1762.90	992.50	1104.20
	189	3881	1935	1095.40	942.20	976.90	1225.80	1032.90	1090.00	1120.10	1138.20	1138.20	1022.20	1069.80	984.50	1993.60	1123.10	1249.10
	209	4454	2221	1206.80	1036.20	1074.80	1352.20	1137.20	1200.90	1234.40	1254.60	1254.60	1125.40	1178.40	1086.60	2207.70	1237.40	1378.00
	229	5026	2506	1318.70	1130.50	1173.00	1479.00	1242.00	1312.10	1349.00	1371.30	1371.30	1228.80	1287.30	1188.90	2422.30	1351.90	1506.90
	249	5577	2781	1451.70	1246.00	1292.60	1627.00	1367.90	1444.60	1485.00	1509.20	1509.20	1353.60	1417.50	1307.70	2658.20	1487.80	1657.20
	269	6115	3050	1565.30	1342.00	1392.60	1755.50	1474.30	1557.60	1601.40	1627.70	1627.70	1458.70	1528.20	1411.40	2891.00	1604.10	1788.00
	289	6632	3307	1695.20	1454.40	1508.90	1900.30	1597.00	1686.90	1734.10	1762.60	1762.60	1580.20	1655.20	1527.80	3107.20	1736.80	1935.10
	309	7142	3562	1808.90	1550.50	1609.10	2028.90	1703.60	1799.80	1850.60	1881.00	1881.00	1685.50	1765.90	1631.50	3323.50	1853.30	2066.10
	329	7646	3813	1921.80	1646.10	1708.40	2156.80	1809.50	1912.20	1966.30	1998.90	1998.90	1790.20	1876.00	1734.70	3539.30	1969.00	2196.20

Output at 20°C room temperature. Prices in £, VAT excluded.

GRILLE CODES

Designo rigid aluminium grilles

DNA natural coloured	DBL black	DDB dark brown	DNC/XXX (colour) lacquered

DDB, SDB and RDB with black frame

Designo roll-up wooden grilles

DMN merbau	DMV varnished	DON oak	DOV varnished	DBN beech	DBV varnished

Rigid aluminium grilles

SNA natural coloured	SBL black	SDB dark brown	SNC/XXX (colour) lacquered

Roll-up wooden grilles

RMN merbau	RMV varnished	RON oak	ROV varnished	RBN beech	RBV varnished

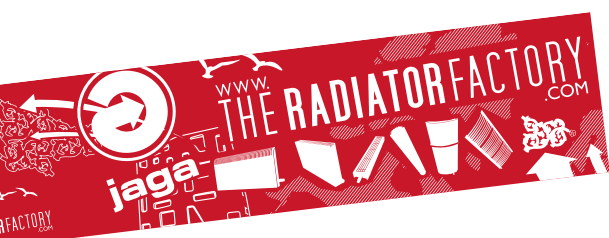
Roll-up aluminium grilles

RNA natural coloured	RBL black	RDB dark brown	RSS stainless steel

Special grilles

ANA alu. natural col.	PNC cast aluminium

Order a complete Canal Compact/Canal Plus without grille p. 338-340 and a separate grille PNC p. 343



Jaga Heating Products (UK) Ltd
Orchard Business Park
Bromyard Road
Ledbury, Herefordshire HR8 1LG

Tel.: +44 1531 631 533
Fax: +44 1531 631 534
E-mail: jaga@jaga.co.uk
www.jaga.co.uk

Jaga International
Verbindingslaan z/n
B-3590 Diepenbeek

Tel.: +32 (0)11 29 41 16
Fax: +32 (0)11 29 41 60
export@jaga.be

The information in this price list is correct at the time of printing.
Jaga reserves the right to change product specification at any time in line
with our policy of continuous improvement and innovation.
All prices in Euro, exclude VAT. Prices valid from 1st February 2014.
Replaces all existing price lists.