

CEILING&WALL SYSTEMS

Between us, ideas become reality®

**CEILING
PRODUCT**

METAL CANOPY

Create, Accentuate, Define...

METAL CANOPY is the metal Canopy solution within Armstrong's extensive range of discontinuous ceilings and Canopies.

The Canopies come in three different designs (flat, concave and convex) and give the designer or specifier the ability to:

- Create spaces or areas within larger spaces or rooms and add definition with local acoustic comfort (speech intelligibility) to an area or working zone.
- Provide a high level of design flexibility as the Canopies come in three different designs and can be used independently or as groups and arrays.

The panels come as standard with a high durability paint finish making them easy to clean and maintain. The Canopies have an Extra Microperforation pattern that provides a clean monolithic visual with good acoustical and light reflectance performances. The Canopy is fully enclosed ensuring that if the reverse face is visible it fully compliments the design.

OFFICE – Parker Hannifin GmbH (D) – Metal Concave Canopy





EDUCATION – St Bede’s School (UK) – Metal Flat Canopy

Easy to install

METAL CANOPY is easy to install:

- The hanging system is included in the METAL CANOPY kit.
- The suspension system is designed to make installation and height adjustments straightforward.



CONCAVE



FLAT



CONVEX



Environmentally friendly

To control the thermal environment in an office, we can use the thermal mass of the concrete to control the temperature in the room instead of relying on air-conditioning and heating. Without the need to power these, the amount of electricity being used is reduced significantly, lowering the building’s energy requirements. To enable the thermal slab to work efficiently, it is important to maximise the open area. Solutions like METAL CANOPY make it possible whilst improving acoustical and visual comfort.

case study

ContractorC2P
Design ArchitectK_now
Armstrong Solution....Metal Canopy Concave
& Convex and Ultima tiles

the challenge:

DESCRIPTION

- A new conference room designed to meet optimal intelligibility.
- A strong accent on design: integrated services for video, an innovative lighting set up optimising energy consumption per m².

CONSTRAINTS

The size of the room: 4 x 7 metres, intelligibility is difficult to overcome without amplified speech.

The ceiling height: 3.5 metres, creates a large volume which makes intelligibility a real challenge.

A glass wall partition: creates an acoustically reflective surface that could have a negative bearing on speech intelligibility.

the solution:

- An Ultima ceiling provides a good balance between sound absorption and sound attenuation.
- 4 Metal Canopies reduce the scale of the room and, combined with low background noise levels, optimise speech intelligibility conditions. Not only do the Canopies act as acoustics baffles, they also improve lighting reflectance with the Extra Microperforated finish enhancing lighting efficiency.
- The convex Canopies were used to support the video projection system, therefore concealing the projector, associated wires and maintaining the clean aesthetic look of the room.
- An amplified sound panel, integrated in the 600 x 600 Ultima tile was also used to relay audio from the video projector.



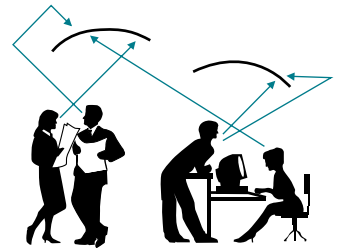
Enhance Acoustics - Improve your Environment

Good acoustics help improve the working environment. METAL CANOPY offers excellent sound absorption for both open spaces and individual working areas. Each canopy has a visible face area of approximately 2.23m² (1.89 x 1.18) and each Canopy provides nearly 3 Sabines (2.76) of sound absorption at 1 kHz which is equivalent to 1.24 Sabines per m².

By providing sound absorption METAL CANOPY helps to:

- Reduce reverberation time
- Reduce noise levels
- Increase speech intelligibility.

Panels also act as partial sound reflectors in a space. In addition to the acoustical benefits to the environment, METAL CANOPY allows designers to adopt energy efficient building designs, offer good light reflectance to minimise the need for artificial lighting and are easily recyclable at the end of their service life.



TRANSPORT – Nice Airport (FR) – Metal Canopy Concave



Product information



Recycled Content

Light Reflectance

Intelligibility

Concentration

PHYSICAL DATA

Dimensions	1890 x 1180 x 40 mm
Colour	RAL 9010*
Edge detail	- Curved (concave/convex): edge detail width: 47° edge detail length: 90° - Flat: all sides 47°
Surface/finish	- Front side: Extra Microperforation 0.7 mm, 1% free area, for a clean visual - Rear side: Standard perforation 2.5mm, 16% open area, for additional acoustical performance. Enclosed acoustical pad 20mm, 25kg/m ³

*other RAL colours available on special request



CONCAVE



CONVEX



FLAT

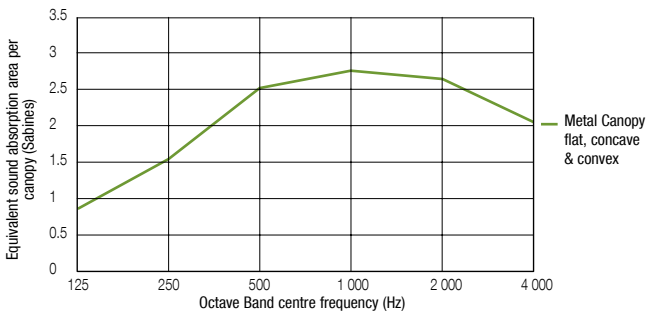
ITEM NUMBERS

1 piece per carton	CS600064	CS600065	CS600063
--------------------	----------	----------	----------

KIT CONTENT

- METAL CANOPY panel
- 4 x hanging cables (drop length 2 m)
- 4 x gripper structure anchor
- 4 x anchor cap
- 4 x 50 mm washer plates
- Installation manual

ACOUSTICAL DATA - 1000 mm airspace

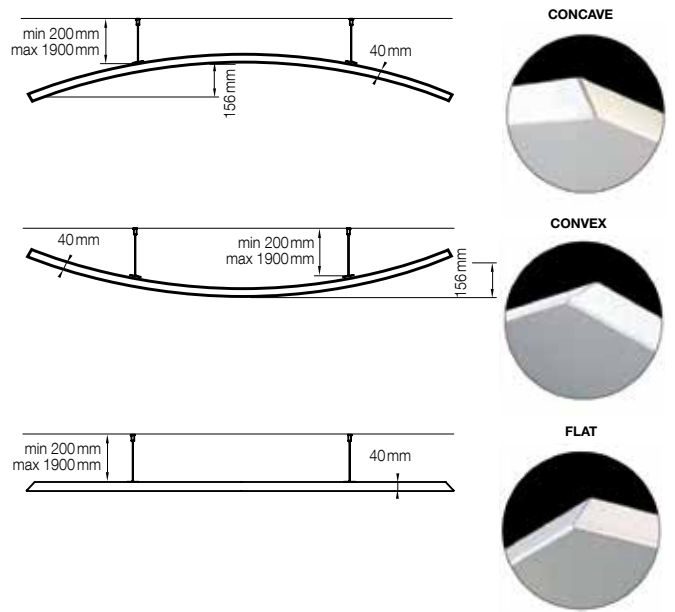


ACCESSORIES

Item nr.	Description
CS 600066	Standard hanging kit for METAL CANOPY, 2000 mm length
CS 600068	Flat washer for METAL CANOPY

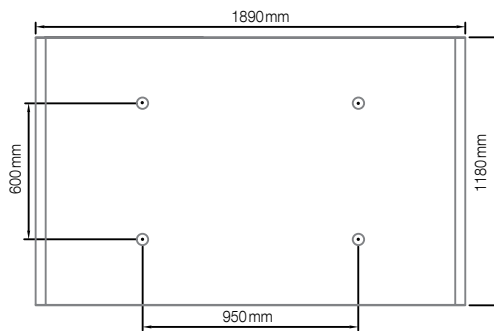
AVAILABLE SHAPES

Section view



Plan view

Example of curved Canopy plan view.



EEA Euroclass B-s2, d0



90 % RH



Flat: 27 kg
Curved (concave/convex):
≈ 33 kg

EN 13501-1

Note: Product availability may vary. Please contact ATS or visit www.armstrong-ceilings.co.uk or www.armstrong-ceilings.ie for updated information.

United Kingdom / Republic of Ireland

Armstrong World Industries Ltd.
Building Products Division
Armstrong House, 38 Market Square, Uxbridge UB8 1NG
0800 371849 (UK) **FREEPHONE**
1800 409002 (ROI)
Fax: +44 (0) 1895 274287
sales-support@armstrong.com
www.armstrong-ceilings.co.uk
www.armstrong-ceilings.ie

Dubai | United Arab Emirates

Armstrong Building Products L.L.C.
P.O. Box 73831
Phone: +971 43 397 099
Fax: +971 43 397 088
info-dubai@armstrong.com
www.armstrong.ae

