

HIP DETAILING

HARDROW SLATES MITRED HIPS

WORKING PROCEDURE

1. Lay the tiling battens so that they meet level and in line at the hip. (Fig.1)



Fig.1

Note: Mitred hips should only be used when the pitch either side of the hip is equal.

2. Hardrow Slates are close cut and mitred down the line of the hip and weathered by a parallel sided lead soaker which lays between the slates on each course. The soaker is secured by turning the top 25mm over the top of the slate. The length of the soaker is determined by the equation - gauge + headlap + 25mm. (Fig.2)

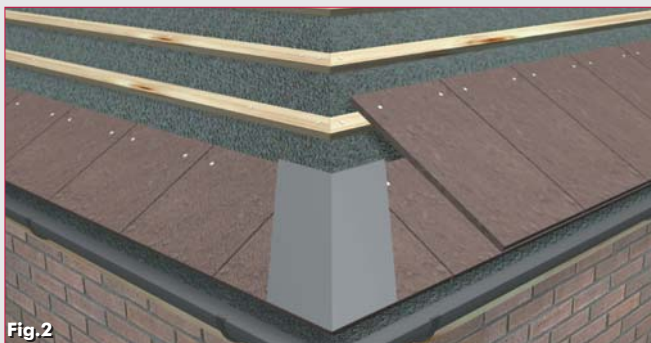


Fig.2



3. Slate and a half should be used for cutting so that enough width is provided to maintain a sufficient side lap. (Fig.3)

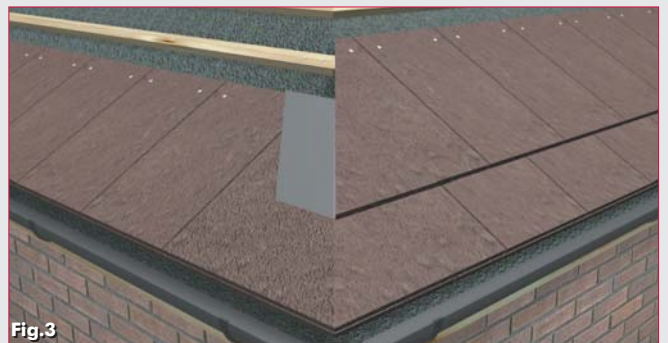


Fig.3

4. Hip soakers are suitable for all roof pitches and should extend not less than 100mm on each side of the mitre for roof pitches 35° and above.

Note: The height of the fascia is critical to the correct fitting of the mitred hips. Please refer to table on Page 1.

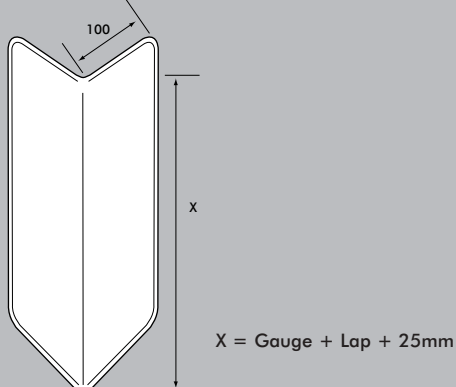


Fig.4

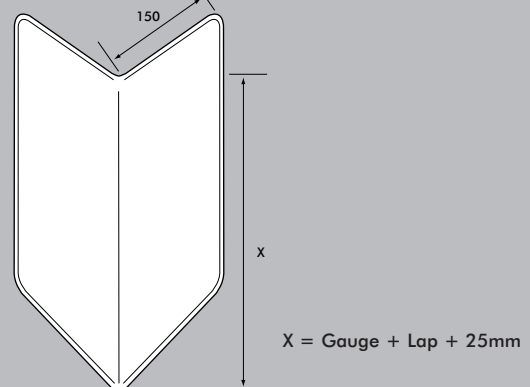
HIP COMPONENTS

Mitred HIP Soaker

For pitches over 35°



For pitches under 35°



Dimensions shown in millimetres