

SWING DOOR

Door closers with guide rail



Contents

Overview	04
Possible applications and combinations	06
FOR SINGLE LEAF DOORS	
TS 1500 G	10
TS 3000 V	16
TS 5000 ECLine	24
TS 5000	30
TS 5000 SoftClose	39
TS 5000 E	49
TS 5000 R	57
FOR SINGLE LEAF DOORS WITH FREE SWING FUNCTION	
TS 5000 EFS 3-6	68
TS 5000 RFS 3-6	73
FOR DOUBLE LEAF DOORS	
TS 5000 ISM ECLine	80
TS 5000 ISM	88
TS 5000 E-ISM	97
TS 5000 R-ISM	107
FOR DOUBLE LEAF DOORS WITH FREE SWING FUNCTION	
TS 5000 ISM / E-ISM / R-ISM	120
OPENING RESTRICTION	
T-stop guide rail	130
ACCESSORIES	
RSZ 7 smoke switch control unit	138
FURTHER INFORMATION	
Technology	142
Installation options	143
Product functions and information	144
General product information for door closers	145
Cover caps for GEZE door closers	146

OVERVIEW

For single leaf doors

	TS 1500 G	TS 3000 V	TS 5000 ECline	TS 5000 L ECline	TS 5000	TS 5000 SoftClose	TS 5000 L	TS 5000 L SoftClose	TS 5000 E	TS 5000 L-E	TS 5000 R	TS 5000 L-R	TS 5000 EFS 3-6	TS 5000 RFS 3-6
Approval for fire and smoke protection doors ¹		●	●	●	●	●	●	●	●	●	●	●	●	●
Barrier-free in accordance with DIN 18040 up to leaf width (max.) in mm	EN1 750	EN4 1100	EN5 1250	EN5 1250	EN4 1100	EN4 1100	EN4 1100	EN4 1100	FSA ²	FSA ²	FSA ²	FSA ²	FSA FL ²	FSA FL ²
Closing force acc. to EN 1154	1	1-4	3-5	3-5	2-6	2-6	2-6	3-6	2-6	2-6	2-6	2-6	3-6	3-6
Door leaf width (max.) in mm	750	1100	1250	1250	1400	1400	1400	1400	1400	1400	1400	1400	1400	1400

POSSIBLE APPLICATIONS

Door leaf installation, hinge side	●	●	●		●	●			●		●		●	●
Transom installation, hinge side ³		●		●			●	●					● ⁴	● ⁴
Opening angle (max.) hinge side ⁵	180°	180°	180°	180°	180°	180°	180°	180°	180°	⁵	180°	⁵	180°	180°
Door leaf installation, opposite hinge side		●		●			●	●		●		●		
Transom installation, opposite hinge side ³	●	●	●		●	●								

FUNCTIONS

Closing force, adjustable		●	●	●	●	●	●	●	●	●	●	●	●	●
Back check, adjustable		● ⁶	● ⁷	●	● ⁷	● ⁷	●	●	●	●	●	●		
Hydraulic latching action, adjustable	●	●	●	●	●	●	●	●	●	●	●	●	●	●
Delayed closing, adjustable					● ⁸									
Closing speed, adjustable	●	●	●	●	●	●	●	●	●	●	●	●	●	●
Latching action speed, adjustable						●		●						
Opening assistance integrated			●	●										
Opening assistance can be switched off			●	●										
Flexible opening restrictor		○			○	○	○	○	○	○	○	○	○	○
Mechanical hold-open device ⁹	○	○	○	○	○	○	○	○						
Electric hold-open device									●	●	●	●		
Electric hold-open device for free swing or hold-open magnet													●	●
Smoke switch control unit integrated											●	●		●
Mechanical closing sequence control, integrated														

● = yes | ○ = optional

1 Valid for Germany. Regulations may differ for other countries and must therefore be determined from local provisions. In such cases, contact your local GEZE branch/representative. | 2 FSA = hold-open system; FSA FL = hold-open system with free swing | 3 For fire protection doors with corresponding proof of suitability | 4 Special model | 5 Opening angle (max.) opposite hinge side see chapter: General product functions and information | 6 Model TS 3000 V BC | 7 Back check in transom installation, opposite hinge side not effective | 8 Model TS 5000 S | 9 Can be retrofitted, not to fire and smoke protection doors

For double leaf doors

	TS 5000 ISM ECline ¹	TS 5000 L-ISM ECline ¹	TS 5000 ISM ¹	TS 5000 L-ISM ¹	TS 5000 L-ISM-VPK ¹	TS 5000 E-ISM ¹	TS 5000 L-E-ISM ¹	TS 5000 L-E-ISM-VPK ¹	TS 5000 R-ISM ¹	TS 5000 L-R-ISM ¹	TS 5000 L-R-ISM-VP ¹
Approval for fire and smoke protection doors ²	●	●	●	●	●	●	●	●	●	●	●
Barrier-free in accordance with DIN 18040 up to leaf width (max.) in mm	EN5/1250	EN5/1250	EN4/1100/EN5/1250 ³	EN4/1100/EN5/1250 ³	EN4/1100	FSA ⁴ (FSA FL)	FSA ⁴	FSA ⁴	FSA ⁴ (FSA FL)	FSA ⁴	FSA ⁴
Closing force acc. to EN 1154	3-5	3-5	2-6	2-6	2-6	2-6	2-6	2-6	2-6	2-6	2-6
Door leaf width (max.) in mm	1250	1250	1400	1400	1400	1400	1400	1400	1400	1400	1400

POSSIBLE APPLICATIONS

Door leaf installation, hinge side	●		●			●			●		
Transom installation, hinge side ⁵⁾											
Opening angle (max.) hinge side ⁶⁾	180°	6°	180°	6°	6°	180°	6°	6°	180°	6°	6°
Door leaf installation, opposite hinge side		●		●	●		●	●		●	●
Transom installation, opposite hinge side ⁵⁾											

FUNCTIONS

Closing force, adjustable	●	●	●	●	●	●	●	●	●	●	●
Back check, adjustable	●	●	●	●	●	●	●	●	●	●	●
Hydraulic latching action, adjustable	●	●	●	●	●	●	●	●	●	●	●
Delayed closing, adjustable			● ⁷								
Closing speed, adjustable	●	●	●	●	●	●	●	●	●	●	●
Opening assistance integrated	○ ⁸	○ ⁸									
Opening assistance can be switched off											
Flexible opening restrictor	○	○	○	○	○	○	○	○	○	○	○ ⁹
Mechanical hold-open device ¹⁰⁾	○	○	○	○	○						
Electric hold-open device						●	●	●	●	●	●
Electric hold-open device for free swing or hold-open magnet			○			○			○		
Smoke switch control unit, integrated									●	●	●
Mechanical closing sequence control, integrated	●	●	●	●	●	●	●	●	●	●	●

● = yes | ○ = optional

1 System solution consisting of 2 TS 5000 (L) overhead door closers and appropriate ISM, E-ISM or R-ISM guide rail for installation on the hinge or opposite hinge side (BG version) | 2 Valid for Germany. Regulations may differ for other countries and must therefore be determined from local provisions. In such cases, contact your local GEZE branch/representative. | 3 Closing force up to EN4/1100 mm with standard and up to EN5/1250 mm with ECline closer | 4 FSA = hold-open system; FSA FL = hold-open system with free swing | 5 For fire protection doors with corresponding proof of suitability | 6 Opening angle (max.) on opposite hinge side, see chapter: General product functions and information | 7 Model TS 5000 S | 8 Available for the active leaf | 9 Only available to a limited extent | 10 Can be retrofitted, not to fire and smoke protection doors

POSSIBLE APPLICATIONS AND COMBINATIONS FOR THE TS 5000 SYSTEM

Type of installation	Leaf installation hinge side single leaf						Leaf installation hinge side double leaf ¹			
	TS 5000 ECLine	TS 5000 / TS 5000 SoftClose	TS 5000 E	TS 5000 R	TS 5000 EFS 3-6	TS 5000 RFS 3-6	TS 5000 ISM ECLine	TS 5000 ISM	TS 5000 E-ISM	TS 5000 R-ISM
CLOSER SYSTEM										
Barrier-free in accordance with DIN 18040 up to leaf width (max.) in mm	EN5 1250	EN4 1100	FSA ²	FSA ²	FSA FL ²	FSA FL ²	EN5 1250	EN4 1100	FSA ²	FSA (FL) ²
Leaf width (max.) in mm	1250	1400	1400	1400	1400	1400	1250	1400	1400	1400
CLOSER BODY										
Complete package (closer + guide rail)					●	●				
TS 5000 ECLine	●		● ³	● ³			●		● ³	● ³
Closer body	L ⁴									
TS 5000		●	●	●				●	●	●
Closer body	L ⁴									
TS 5000 SoftClose		●	●	●				●	●	●
Closer body										
TS 5000 S closer body with delayed closing		●	●	●				●	●	●
TS 5000 E Hy closer body with electric hold-open function with lever for free swing							○ ⁵	○ ⁵	○ ⁵	
GUIDE RAILS										
ECLine guide rail	●									
Opening assistance	BG ⁶									
Standard guide rail	●	●								
	BG ⁶									
T-Stop guide rail	●	●								
Opening restrictor	BG ⁶									
E guide rail			●							
Electric hold-open device	BG ⁶									
R guide rail				●						
Smoke switch, power supply, electr. hold-open function	BG ⁶									
ISM guide rail							●	●		
Integrated closing sequence control	BG ⁶									
E-ISM guide rail									●	
Integrated closing sequence control, electric hold-open function on both leaves	BG ⁶									
R-ISM guide rail										●
Integrated closing sequence control, smoke switch, power supply, electr. hold-open function on both leaves	BG ⁶									
ACCESSORIES										
RSZ 7 smoke switch control unit			●		●				●	
Manual trigger switch			●	●	● ⁷	● ⁷			●	●
Mechanical hold-open unit ⁸	●	●					●	●		

● = yes | ○ = optional

1 per leaf 1 closer body necessary | 2 FSA = hold-open system; FSA FL = hold-open system with free swing | 3 leaf width up to 1250 mm max. | 4 L = door closer on opposite hinge side | 5 various versions available, can be combined with free swing function | 6 BG = guide rail for opposite hinge side | 7 binding accessories | 8 not for fire protection doors

POSSIBLE APPLICATIONS AND COMBINATIONS FOR THE TS 5000 SYSTEM

Type of installation	Leaf installation opposite hinge side single leaf					Leaf installation opposite hinge side double leaf ¹					Transom installation hinge side single leaf				Transom installation opposite hinge side single leaf		
	TS 5000 L EClime	TS 5000 L / TS 5000 L SoftClose	TS 5000 L-E	TS 5000 L-R		TS 5000 L-ISM EClime	TS 5000 L-ISM	TS 5000 L-ISM VPK	TS 5000 L-E-ISM	TS 5000 L-E-ISM VPK	TS 5000 L-R-ISM	TS 5000 L EClime	TS 5000 L	TS 5000 EFS KM 3-6	TS 5000 RFS KM 3-6	TS 5000 EClime	TS 5000 / TS 5000 SoftClose
CLOSER SYSTEM																	
Barrier-free in accordance with DIN 18040 up to leaf width (max.) in mm	EN5 1250	EN4 1100	FSA ² 1400	FSA ² 1400		EN5 1250	EN4 1100	EN4 1100	FSA ² 1400	FSA ² 1400	FSA ² 1400	EN5 1250	EN4 1100	FSA FL ² 1400	FSA FL ² 1400	EN5 1250	EN4 1100
Leaf width (max.) in mm	1250	1400	1400	1400		1250	1400	1400	1400	1400	1400	1250	1400	1400	1400	1250	1400
CLOSER BODY																	
Complete package								●		●				●	●		
TS 5000 EClime																	●
Closer body	L ³	●		● ⁴	● ⁴	●			● ⁴	● ⁴	●	●					
TS 5000																	●
Closer body	L ³	●	●	●		●		●	●	●		●					
TS 5000 SoftClose																	●
Closer body																	●
TS 5000 S Closer body with delayed closing																	●
TS 5000 E Hy Closer body with electric hold-open function with lever for free swing ^f																	
GUIDE RAILS																	
EClime guide rail												●					●
Opening assistance	BG ⁵	●															
Standard guide rail													●				● ●
	BG ⁵	● ●															
T-Stop guide rail													●				● ●
Opening restrictor	BG ⁵	● ●															
E guide rail																	
Electric hold-open device	BG ⁵		●														
R guide rail																	
Smoke switch, power supply, electr. hold-open function	BG ⁵				●												
ISM guide rail																	
Integrated closing sequence control	BG ⁵					● ●											
E-ISM guide rail																	
Integrated closing sequence control, electric hold-open function on both leaves	BG ⁵							●									
R-ISM guide rail																	
Integrated closing sequence control, smoke switch, power supply, electr. hold-open function on both leaves	BG ⁵									●							
ACCESSORIES																	
RSZ 7 smoke switch control unit			●						● ●					●			
Manual trigger switch			● ●						● ● ●					● ⁶ ● ⁶			
Mechanical hold-open unit ⁷	● ●					● ● ●						● ●				● ●	

● = yes | ○ = optional

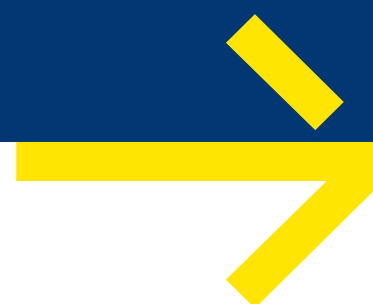
1 per leaf 1 closer body necessary | 2 FSA = hold-open system; FSA FL = hold-open system with free swing | 3 L = door closer on opposite hinge side | 4 up to max. 1250 mm leaf width | 5 BG = guide rail for opposite hinge side | 6 = binding accessories | 7 = not for fire protection doors



SWING DOOR

For single leaf doors

Overhead door closers with guide rails for single leaf single-action doors are the ideal version if you want to close your door quietly, conveniently and, above all, safely. The simple and easy installation also makes subsequent commissioning child's play. Be it closing force, back check, latching action, delayed closing or closing speed – you can control all functions easily and accessibly with various versions of our GEZE overhead door closers with guide rail.



TS 1500 G



Overhead door closer with guide rail with a leaf width up to 750 mm

AREAS OF APPLICATION

- Right and left single-action doors
- Single-action doors up to 750 mm leaf width
- Door leaf installation on hinge side and transom installation on opposite hinge side

PRODUCT FEATURES

- Fixed closing force of EN1
- Can be used for right and left hand doors without conversion
- Hydraulic latching action which accelerates the door shortly before the closed position
- Closing speed can be individually adjusted
- All functions can be adjusted from the front (except closing force)

TECHNICAL DATA FOR DOOR CLOSER

TS 1500 G door closer

PRODUCT FEATURES

Closing force acc. to EN 1154	1
Leaf width recommended up to	750 mm
Identical design for DIN-L and DIN-R	●
Product tested in accordance with	Door closer tested acc. to EN 1154
Length	177 mm
Overall depth	39 mm
Height	50 mm

FUNCTIONS

Closing force adjustable	No
Closing speed adjustable	●
Latching action adjustable	Yes, via valve
Back check integrated	No

● = yes | ○ = optional

TECHNICAL DATA FOR GUIDE RAIL

Guide rail TS 1500 G

Guide rail TS 1500 G/F

PRODUCT FEATURES

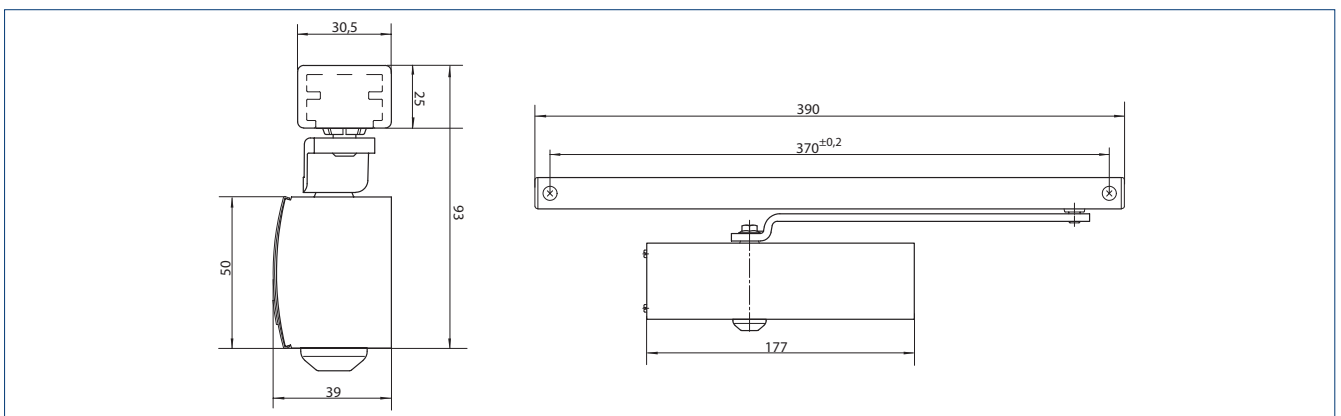
Length	390 mm
Overall depth	30.5 mm
Height	20.5 mm

FUNCTIONS

Opening restrictor integrated	○	○
Hold-open unit integrated	○	Mechanical
Hold-open unit can be switched on and off	-	●
Hold-open unit can be overridden	-	●
Hold-open angle		80 – 130°

● = yes | ○ = optional

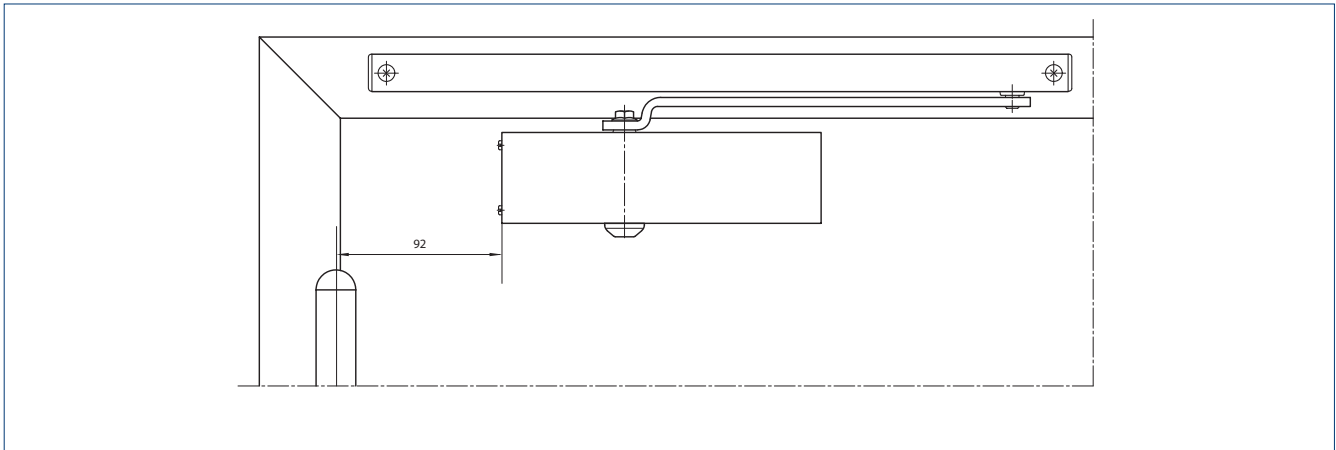
PRODUCT SCALE DRAWING



TS 1500 G

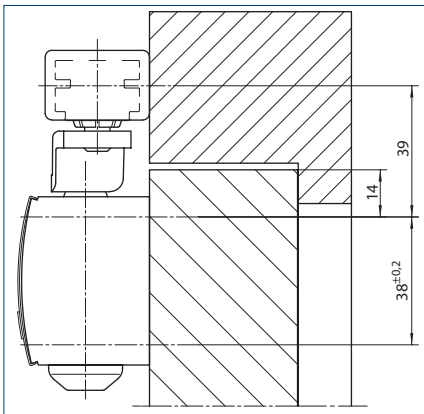
DOOR LEAF INSTALLATION/HINGE SIDE TS 1500 G

VIEW

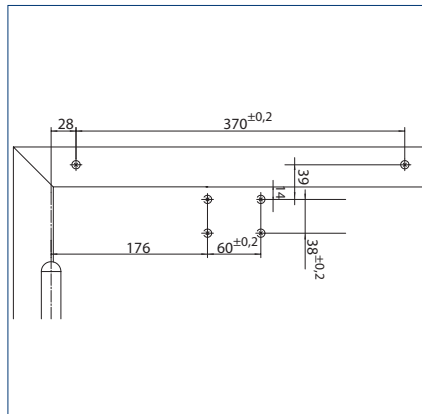


Installation example

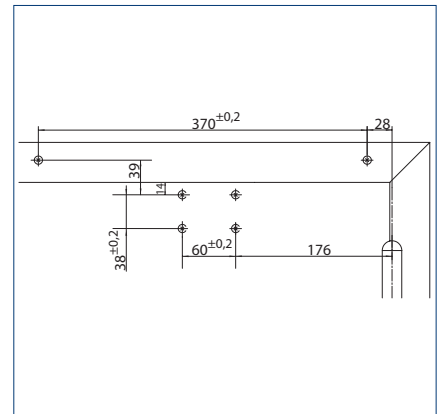
DIRECT INSTALLATION



Cross-section = direct installation

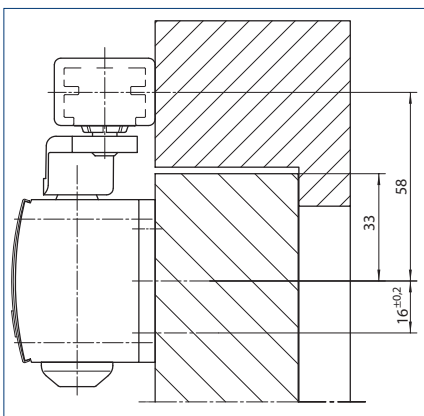


Fitting dimensions for left-hand door

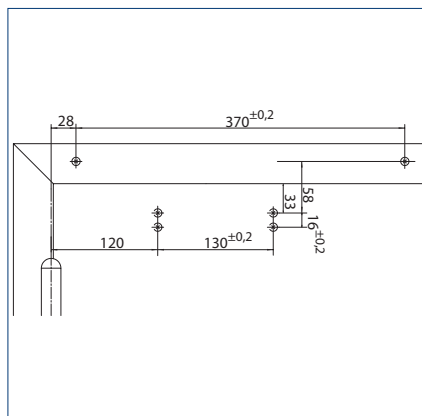


Fitting dimensions for right-hand door

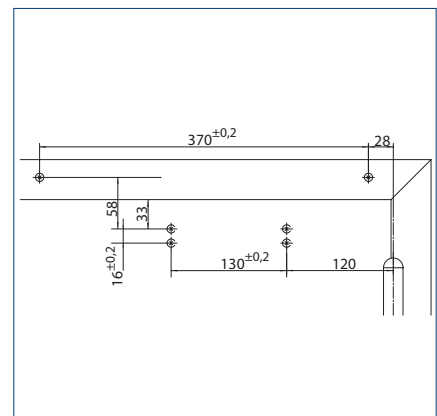
INSTALLATION WITH MOUNTING PLATE



Cross-section = installation with mounting plate



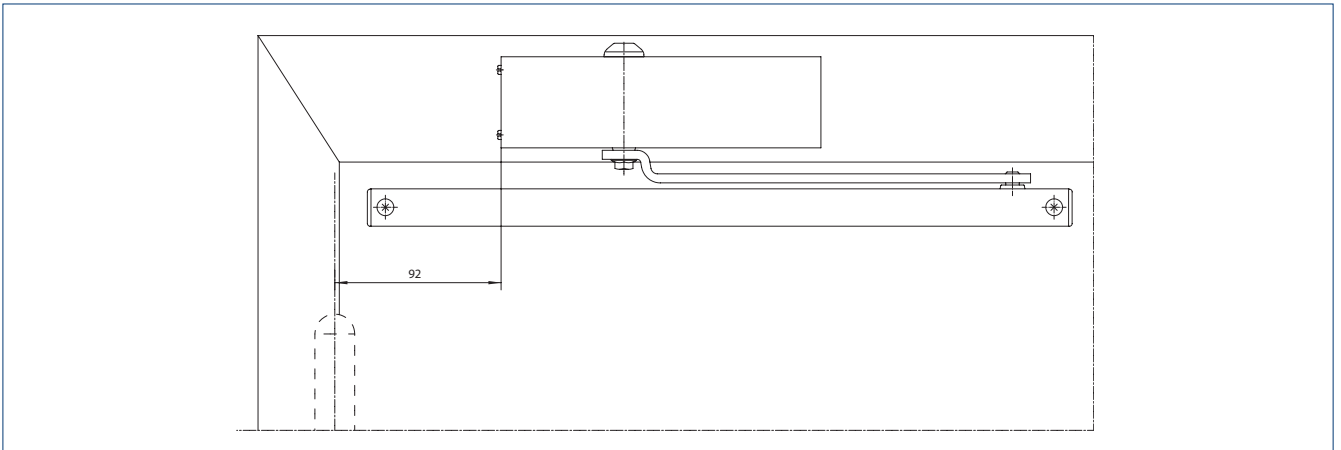
Fitting dimensions for left-hand door



Fitting dimensions for right-hand door

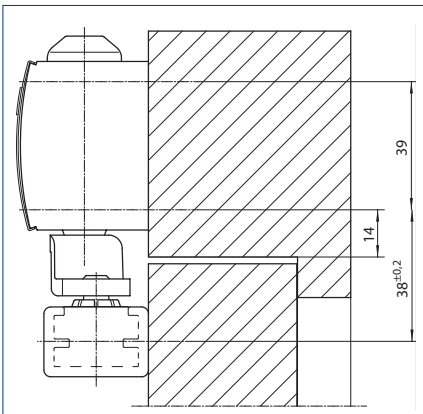
TRANSOM INSTALLATION/OPPOSITE HINGE SIDE TS 1500 G

VIEW

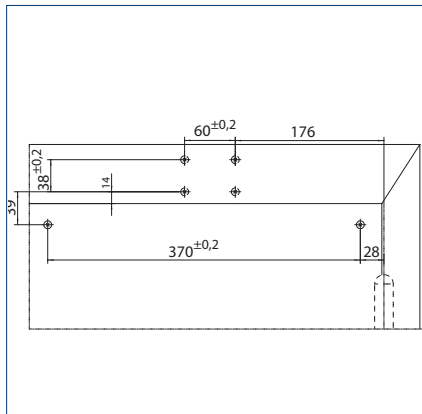


Installation example

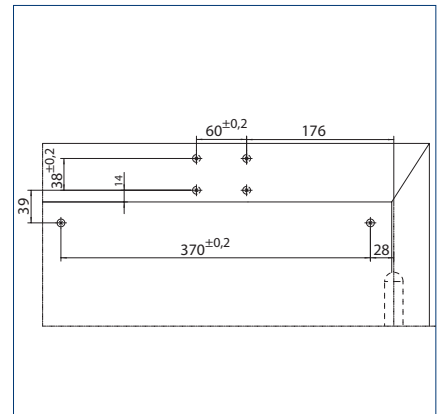
DIRECT INSTALLATION



Cross-section = direct installation

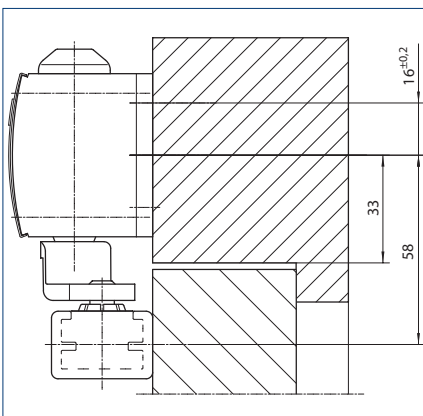


Fitting dimensions for left-hand door

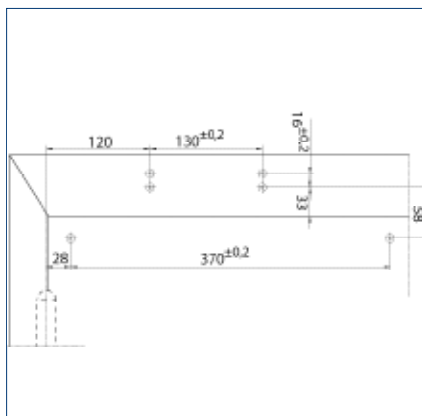


Fitting dimensions for right-hand door

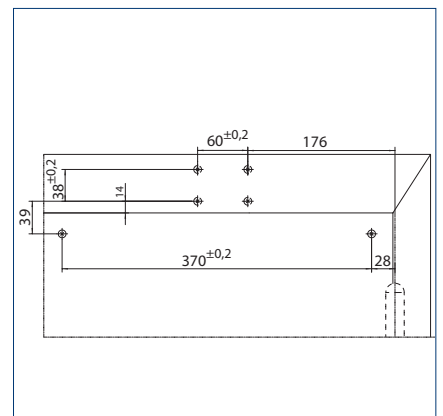
INSTALLATION WITH MOUNTING PLATE



Cross-section = installation with mounting plate



Fitting dimensions for left-hand door



Fitting dimensions for right-hand door

TS 1500 G – ORDER INFORMATION

Designation	Version	ID no.
TS 1500 G door closer Closing force EN 1 (without guide rail and lever)	silver-coloured	101792
	white RAL 9016	101794
	black RAL 9005	119575
	acc. to RAL ¹	101875
Guide rail TS 1500 G With lever	silver-coloured	101885
	white RAL 9016	101887
	acc. to RAL ¹	101888
Guide rail TS 1500 G/F With mechanical hold-open device and lever	silver-coloured	101889
	white RAL 9016	101891
	acc. to RAL ¹	101892
INSTALLATION MATERIAL		
Mounting plate guide rail for TS 1500 G	silver-coloured	072333
	acc. to RAL ¹	072355
Mounting plate door closer for TS 1500	silver-coloured	029682
	white RAL 9016	029685
	acc. to RAL ¹	029686
ACCESSORIES		
Cover cap door closer For TS 1500, can only be used for door leaf installation	silver-coloured	080147
	white RAL 9016	080149
	acc. to RAL ¹	080150
Mechanical hold-open unit For standard / T-Stop / Boxer 20.7 mm guide rail, retention force adjustable, can be switched on and off, can be overridden		071924
Flexible opening restrictor for lightweight doors For riveted guide rail, standard guide rail BG & Boxer 20.7 mm guide rail		069780

¹ Surcharge for RAL special colours, see General Notes in the price list



TS 3000 V



Overhead door closer with guide rail for single leaf doors up to 1100 mm leaf width

AREAS OF APPLICATION

- Fire and smoke protection doors
- Right and left single-action doors
- Single-action doors up to 1100 mm leaf width
- Door leaf and transom installation on the hinge and opposite hinge side

PRODUCT FEATURES

- Adjustable closing force of EN1-4
- Can be used for right and left hand doors without conversion
- Hydraulic latching action which accelerates the door shortly before the closed position
- Closing speed can be individually adjusted
- All functions can be adjusted from the front (except closing force)

SPECIAL VERSIONS

- FTS 3000 V with mechanical hold-open device with variable adjustment between 80° and 130° (not permissible on fire and smoke protection doors)
- TS 3000 V BC with back check which can be adjusted from the front

TECHNICAL DATA FOR DOOR CLOSER

	TS 3000 V door closer	TS 3000 V BC door closer	TS 3000 EN3 door closer
PRODUCT FEATURES			
Closing force acc. to EN 1154	1 – 4	1 – 4	3
Leaf width recommended up to	1100 mm	1100 mm	950 mm
Identical design DIN left and DIN right	●	●	●
Product tested in accordance with	Door closer tested acc. to EN 1154		
Suitability for fire protection doors	●	●	●
Mounting plate with hole pattern in accordance with EN1154 Supplement	●	●	●
Length	226 mm		
Overall depth	46 mm		
Height	60 mm		

FUNCTIONS

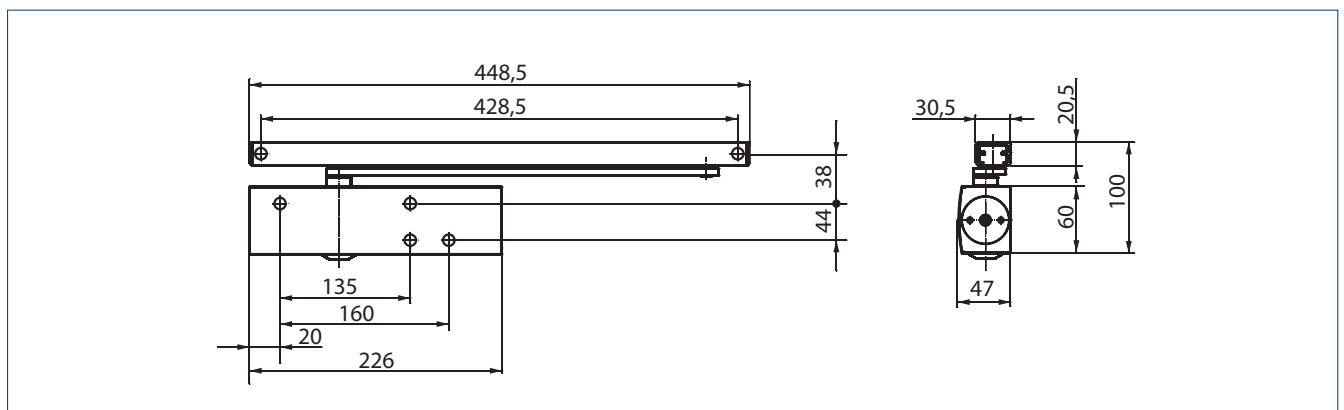
Closing force adjustable	Yes, with variable adjustment	Yes, with variable adjustment	No
Closing speed adjustable	●	●	●
Latching action adjustable	Yes, via valve		
Back check integrated	No	Yes, hydraulically adjustable	No
Delayed closing integrated	-		
Closing force adjustment position	At the side	At the side	
Safety valve to prevent wilful damage	●	●	●
Thermo-constant valves	●	●	●

● = yes | ○ = optional

TECHNICAL DATA FOR GUIDE RAIL

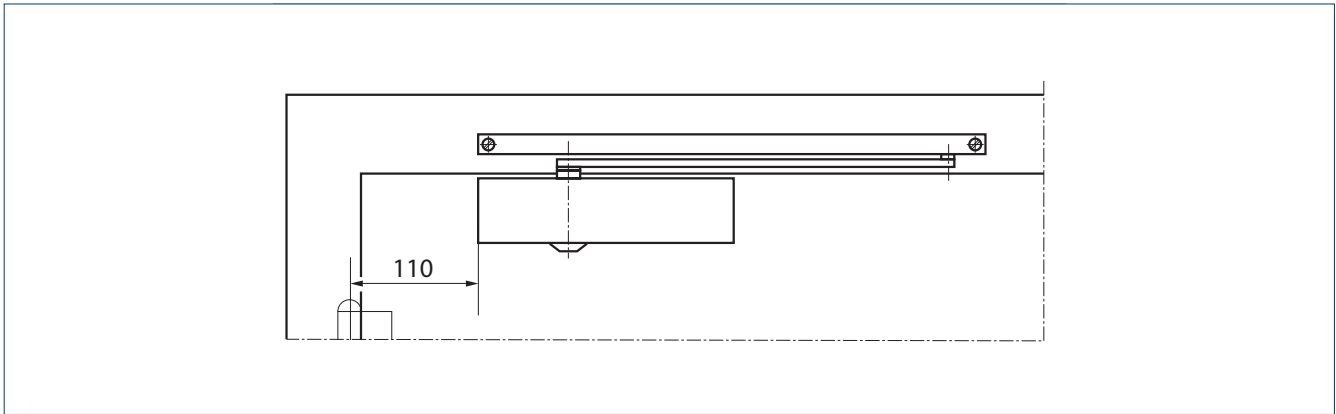
	Guide rail TS 5000/ TS 3000 vertically adjustable	Guide rail TS 5000/TS 3000	T-Stop guide rail TS 5000/TS 3000	Guide rail BG lintel installation TS 3/5000 L
PRODUCT FEATURES				
Length	448.5 mm	448.5 mm	452.5 mm	550 mm
Overall depth	30.5 mm	30.5 mm	33 mm	30.5 mm
Height	20.5 mm	20.5 mm	30 mm	20.7 mm
FUNCTIONS				
Opening restrictor integrated	○	○	●	○
Hold-open unit integrated	○	○	○	○
Height correction possible	●	-	-	-

● = yes | ○ = optional

PRODUCT SCALE DRAWING


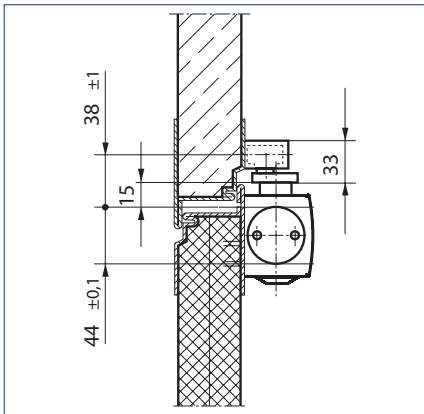
DOOR LEAF INSTALLATION/HINGE SIDE TS 3000 V

VIEW

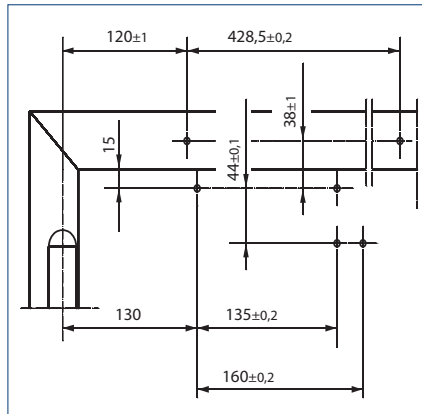


Installation example

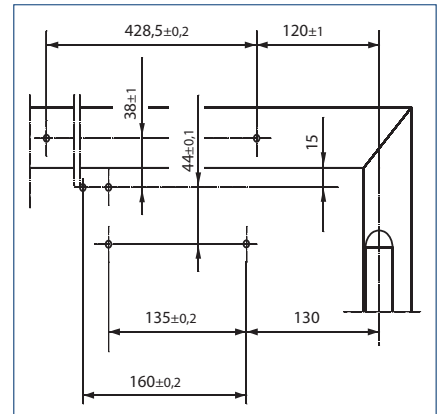
DIRECT INSTALLATION



Cross-section = direct installation

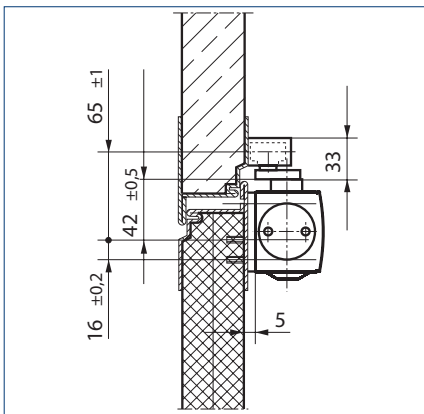


Fitting dimensions for left-hand door

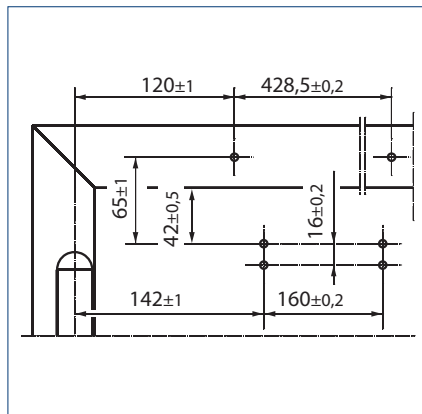


Fitting dimensions for right-hand door

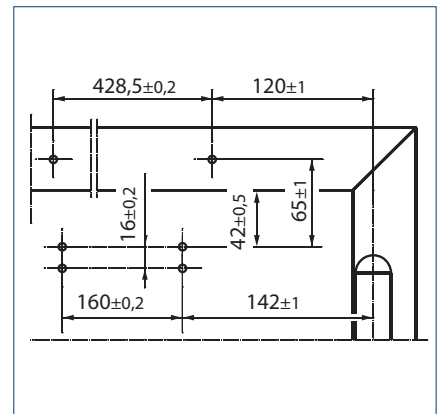
INSTALLATION WITH MOUNTING PLATE



Cross-section = installation with mounting plate



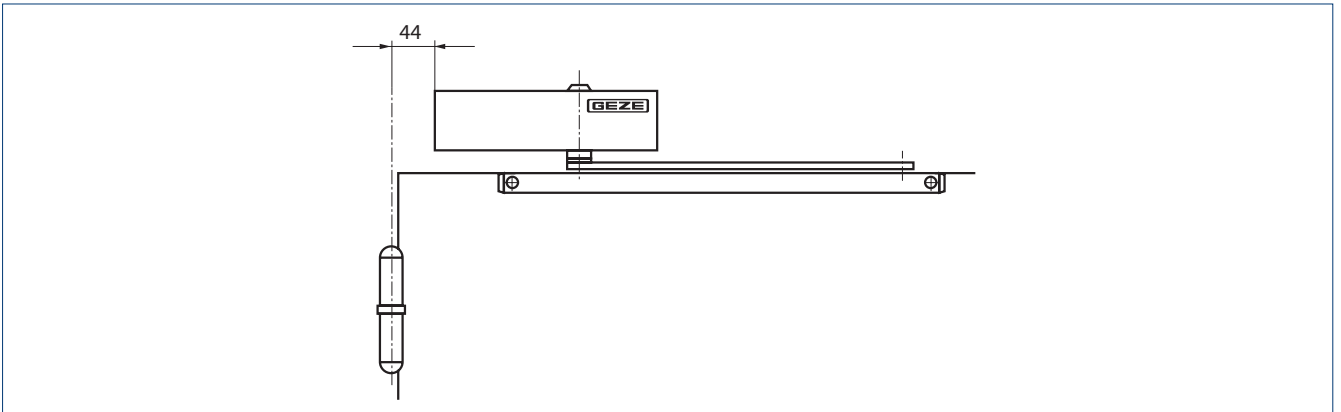
Fitting dimensions for left-hand door



Fitting dimensions for right-hand door

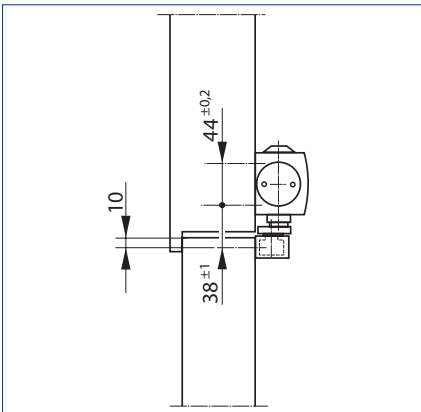
TRANSOM INSTALLATION/HINGE SIDE TS 3000 V

VIEW

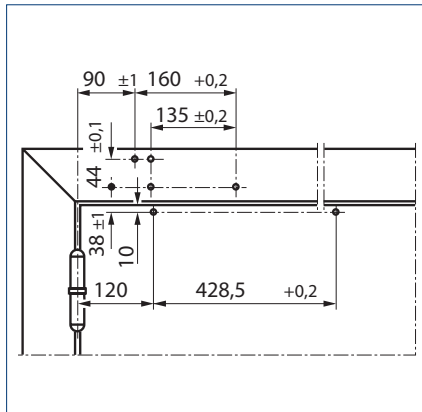


Installation example

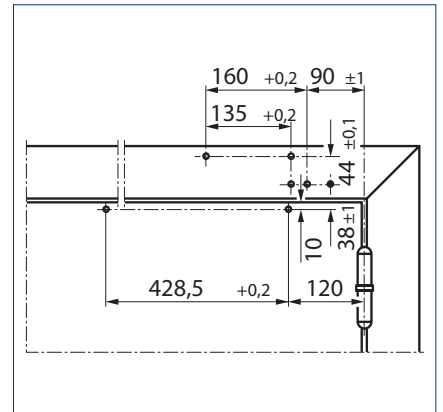
DIRECT INSTALLATION



Cross-section = direct installation

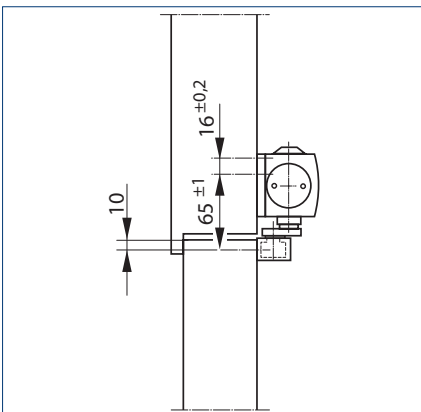


Fitting dimensions for left-hand door

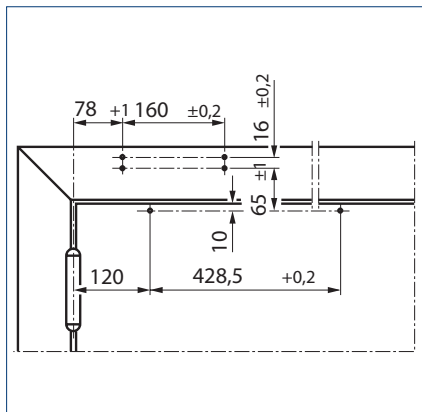


Fitting dimensions for right-hand door

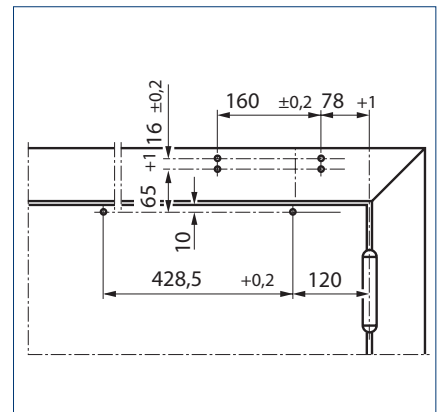
INSTALLATION WITH MOUNTING PLATE



Cross-section = installation with mounting plate



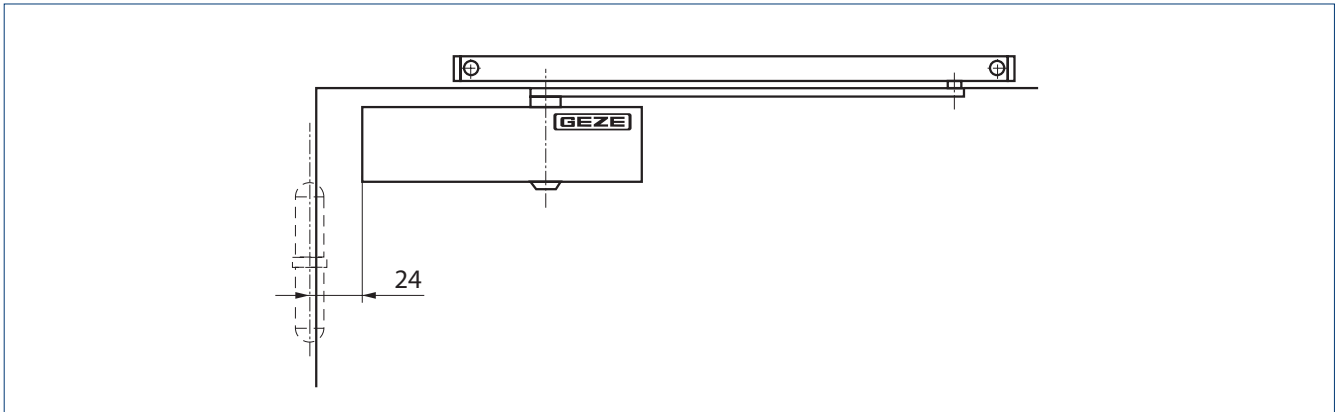
Fitting dimensions for left-hand door



Fitting dimensions for right-hand door

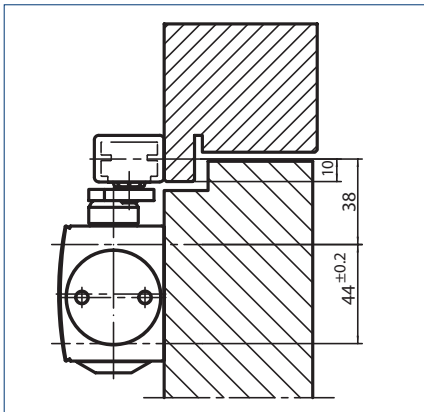
DOOR LEAF INSTALLATION/OPPOSITE HINGE SIDE TS 3000 V

VIEW

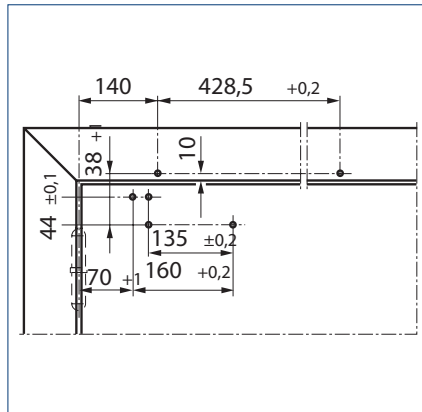


Installation example

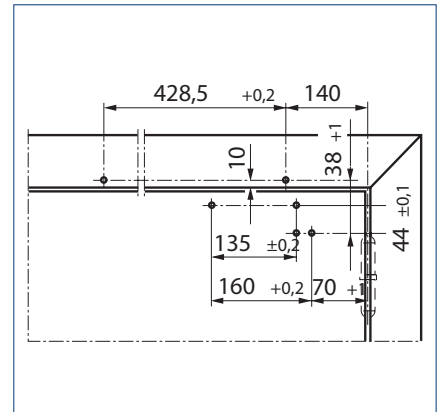
DIRECT INSTALLATION



Cross-section = direct installation

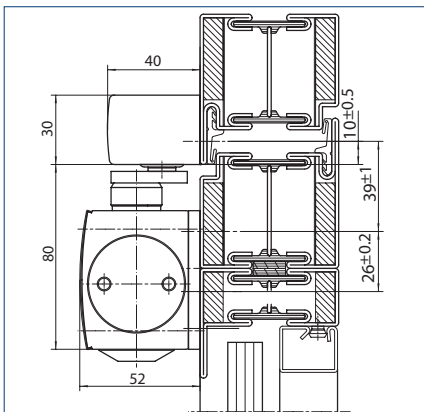


Fitting dimensions for right-hand door

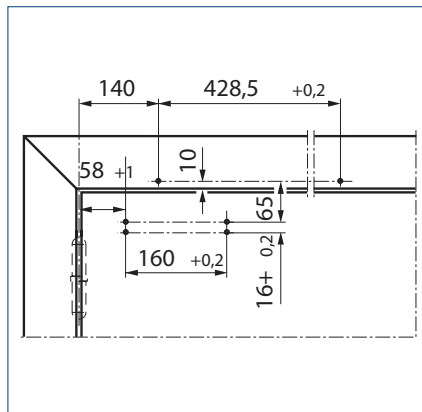


Fitting dimensions for left-hand door

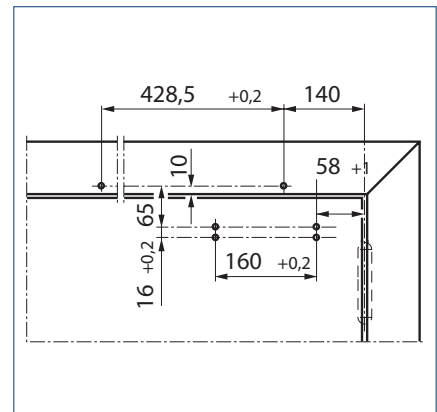
INSTALLATION WITH MOUNTING PLATE



Cross-section = installation with mounting plate



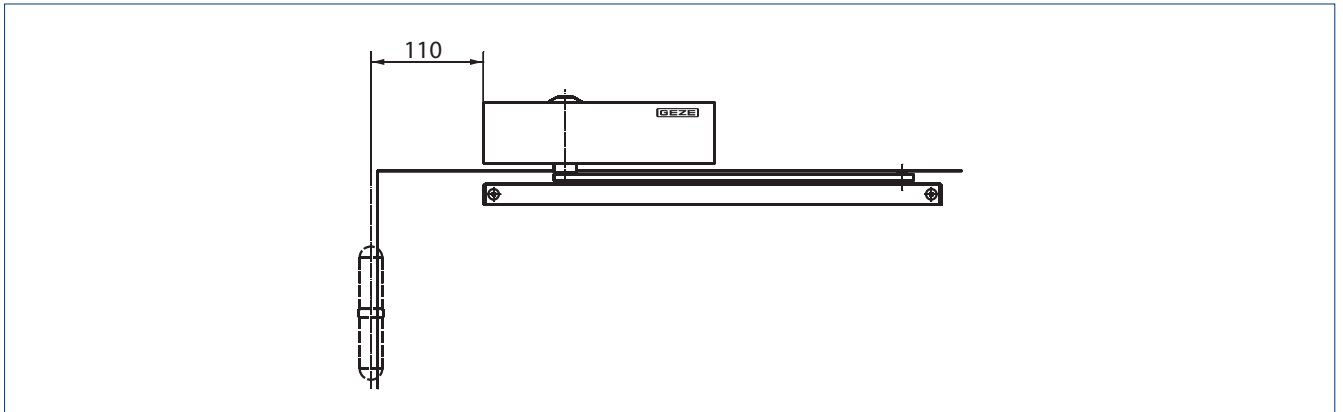
Fitting dimensions for right-hand door



Fitting dimensions for left-hand door

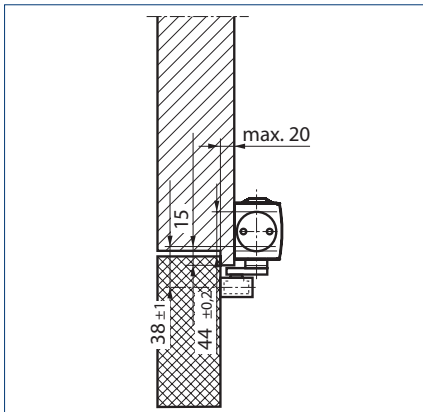
TRANSOM INSTALLATION/OPPOSITE HINGE SIDE TS 3000 V

VIEW

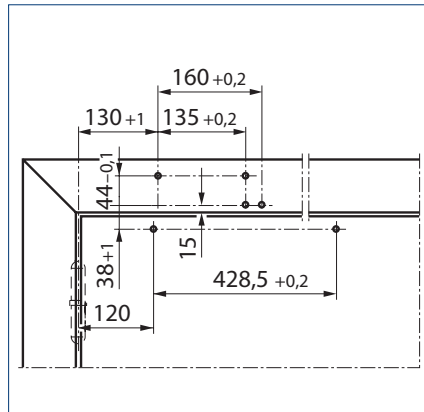


Installation example

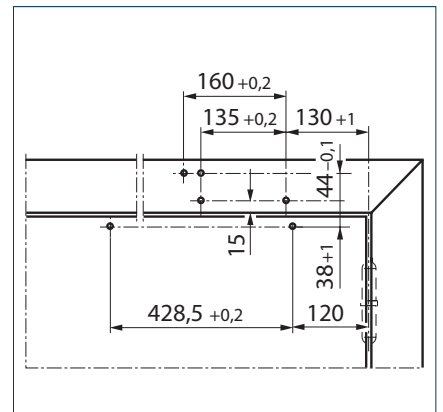
DIRECT INSTALLATION



Cross-section = direct installation

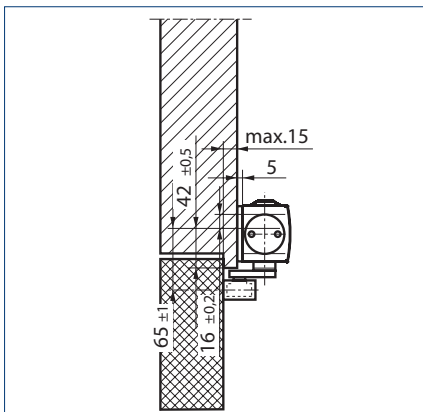


Fitting dimensions for right-hand door

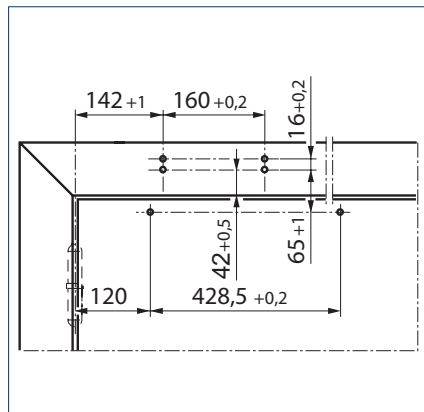


Fitting dimensions for left-hand door

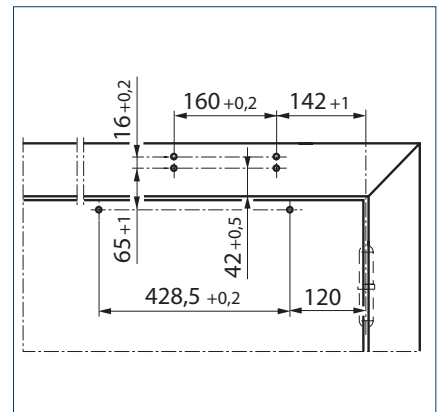
INSTALLATION WITH MOUNTING PLATE



Cross-section = installation with mounting plate



Fitting dimensions for right-hand door



Fitting dimensions for left-hand door

TS 3000 V – ORDER INFORMATION

Designation	Version	ID no.
TS 3000 V door closer closing force EN 1-4 (without guide rail and lever)	silver-coloured	028348
	white RAL 9016	028350
	black RAL 9005	119583
	acc. to RAL ²	028351
TS 3000 V BC door closer closing force EN 1-4, with back check (without guide rail and lever)	silver-coloured	109326
	white RAL 9016	109328
	black RAL 9005	208128
	acc. to RAL ²	109329
TS 3000 EN3 door closer closing force EN3 (without guide rail and lever)	silver-coloured	102247
	white RAL 9016	102307
	acc. to RAL ²	102308
Guide rail TS 5000/TS 3000 vertically adjustable Height compensation +/- 2 mm, with lever	silver-coloured	115191
	acc. to RAL ²	115192
Guide rail BG TS 5000/TS 3000 vertically adjustable Height compensation +/- 2 mm, with lever, use with door closer on leaf installation opposite hinge side	silver-coloured	115193
	acc. to RAL ²	115194
Guide rail TS 5000/TS 3000 Standard, With lever	silver-coloured	068221
	white RAL 9016	015695
	black RAL 9005	076490
	stainless steel optic ¹	014945
	acc. to RAL ²	000773
Guide rail BG TS 5000/TS 3000 Standard With lever, use with door closer on leaf installation opposite hinge side	silver-coloured	025655
	white RAL 9016	029404
	black RAL 9005	198812
	stainless steel optic ¹	028732
	acc. to RAL ²	025656
Guide rail BG lintel installation TS 3/5000 L Guide rail with lever, used with door closer on door leaf installation opposite hinge side	silver-coloured	189148
	acc. to RAL ²	189149
T-Stop guide rail TS 5000/TS 3000 With integrated opening restrictor and lever	silver-coloured	102363
	white RAL 9016	108481
	stainless steel optic ¹	102364
	acc. to RAL ²	102365
T-Stop guide rail BG TS 5000/TS 3000 With integrated opening restrictor and lever, use with door closer on leaf installation opposite hinge side or with pivot bearing in leaf and transom installation opposite hinge side	silver-coloured	102366
	white RAL 9016	108482
	stainless steel optic ¹	102367
	acc. to RAL ²	102368
INSTALLATION MATERIAL		
Mounting plate door closer for TS 3000 With hole pattern according to DIN EN 1154 Supplement 1	silver-coloured	011230
	white RAL 9016	011233
	black RAL 9005	135237
	acc. to RAL ²	011234
Glass clamping shoe door closer for TS 3000/TS 2000 NV	silver-coloured	014835
	white RAL 9016	014843
	acc. to RAL ²	014845
Mounting plate guide rail BG for standard / Ecline / T-Stop / EFS guide rail	silver-coloured	124683
	acc. to RAL ²	124684
Mounting plate guide rail for standard / Ecline / T-Stop / EFS guide rail	silver-coloured	001512
	white RAL 9016	129252
	acc. to RAL ²	104515

TS 3000 V – ORDER INFORMATION

Designation	Version	ID no.
Lintel casing bracket guide rail BG for standard guide rail	silver-coloured	025657
	white RAL 9016	030034
	stainless steel optic ¹	028393
	acc. to RAL ²	025658
Lintel casing bracket guide rail BG for ELine and T-Stop guide rail	silver-coloured	115006
	acc. to RAL ²	115007
Drilling template door closer for TS 5000/TS 4000/TS 3000/TS 2000		053134
ACCESSORIES		
Cover cap door closer For TS 3000/TS 2000, can only be used for door leaf installation	silver-coloured	013487
	white RAL 9016	014855
	stainless steel	072769
	brass	072770
	acc. to RAL ²	014856
Mechanical hold-open unit For standard / T-Stop / Boxer 20.7 mm guide rail, retention force adjustable, can be switched on and off, can be overridden		071924
Flexible opening restrictor for lightweight doors For riveted guide rail, standard guide rail BG & Boxer 20.7 mm guide rail		069780

¹ Only for dry rooms | ² Surcharge for RAL special colours, see General Notes in the price list



TS 5000 R and TS 3000 V, Häussler Global Office GmbH, Stuttgart, Germany (Photo: Dirk Wilhelmy)

TS 5000 ECLine



Overhead door closer with guide rail for barrier-free single leaf doors up to 1250 mm leaf width with opening assistance

AREAS OF APPLICATION

- Fire and smoke protection doors
- Right and left single-action doors
- Single-action doors up to 1250 mm leaf width
- Door leaf installation on hinge side and transom installation on opposite hinge side
- Barrier-free access in accordance with DIN 18040 up to EN5

PRODUCT FEATURES

- Adjustable closing force EN3-5
- Barrier-free in accordance with DIN 18040 up to EN5 (1250 mm leaf width)
- Can be used for right and left hand doors without conversion
- Opening assistance for easy opening and comfortable passing through of the door
- Opening assistance can be switched off for doors with wind load or pressure differences
- Hydraulic latching action which accelerates the door shortly before the closed position
- Closing speed can be individually adjusted
- Integrated back check, slows down doors that are thrown open forcefully
- Visual closing force display for easy control of the setting
- All functions can be adjusted from the front and less installation time compared to standard systems

SPECIAL VERSIONS

- TS 5000 ECLine with mechanical hold-open device with variable adjustment between 80° and 130° (not permissible on fire and smoke protection doors)
- TS 5000 S ECLine door closer with delayed closing which can be adjusted from the front

TECHNICAL DATA FOR DOOR CLOSER

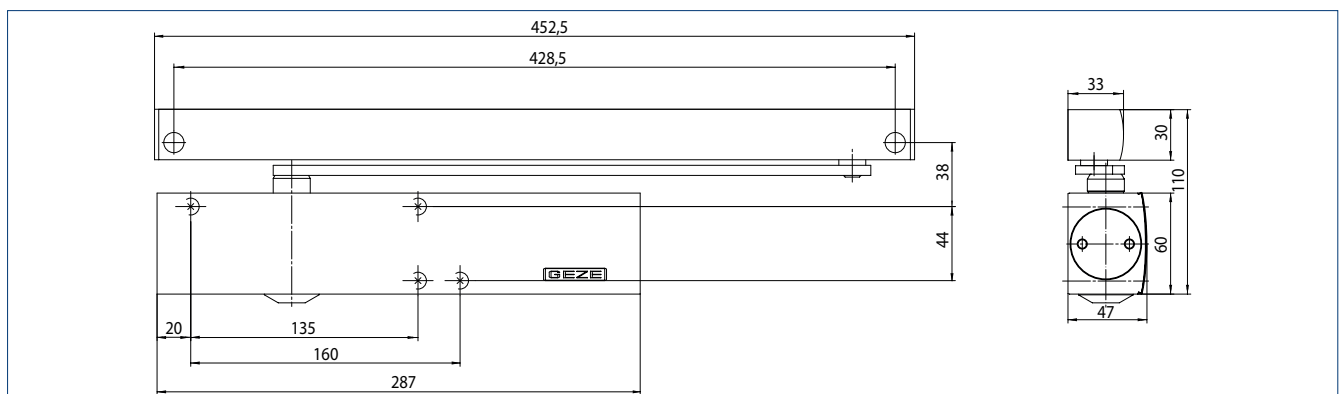
	TS 5000 Ecline door closer	TS 5000 L Ecline door closer
PRODUCT FEATURES		
Closing force acc. to EN 1154	3 – 5	
Leaf width recommended up to	1250 mm	
Identical design DIN left and DIN right	●	●
Product tested in accordance with	Door closer tested acc. to EN 1154, DIN 18040 up to EN5 (1250 mm leaf width)	
Suitability for fire protection doors	●	●
Length	287 mm	
Overall depth	47 mm	
Height	60 mm	
FUNCTIONS		
Closing force adjustable	Yes, with variable adjustment	
Closing speed adjustable	●	●
Latching action adjustable	Yes, via valve	
Back check integrated	Yes, hydraulically adjustable	
Closing force adjustment position	Front	
Visual closing force display	●	●
Safety valve to prevent wilful damage	●	●
Thermo-constant valves	●	●

● = yes | ○ = optional

TECHNICAL DATA FOR GUIDE RAIL

	Ecline guide rail TS 5000 Ecline guide rail TS 5000 BG	Guide rail TS 5000/ TS 3000 Guide rail BG TS 5000/TS 3000	T-Stop guide rail TS 5000/TS 3000 T-Stop guide rail BG TS 5000/TS 3000	Guide rail TS 5000/ TS 3000 vertically adjustable	Guide rail BG lintel installation TS 3/5000 L
PRODUCT FEATURES					
Length	452.5 mm	448.5 mm	452.5 mm	448.5 mm	550 mm
Overall depth	33 mm	30.5 mm	33 mm	30.5 mm	30.5 mm
Height	30 mm	20.5 mm	30 mm	20.5 mm	20.7 mm
FUNCTIONS					
Opening restrictor integrated	-	○	●	○	○
Hold-open unit integrated	Optional		No	Optional	○
Height correction possible	-	-	-	●	-
Opening assistance can be switched off	●	-	-	-	-

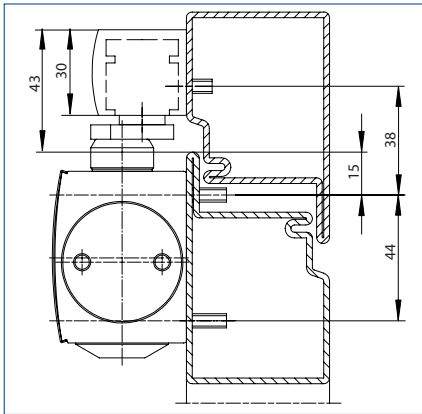
● = yes | ○ = optional

PRODUCT SCALE DRAWING


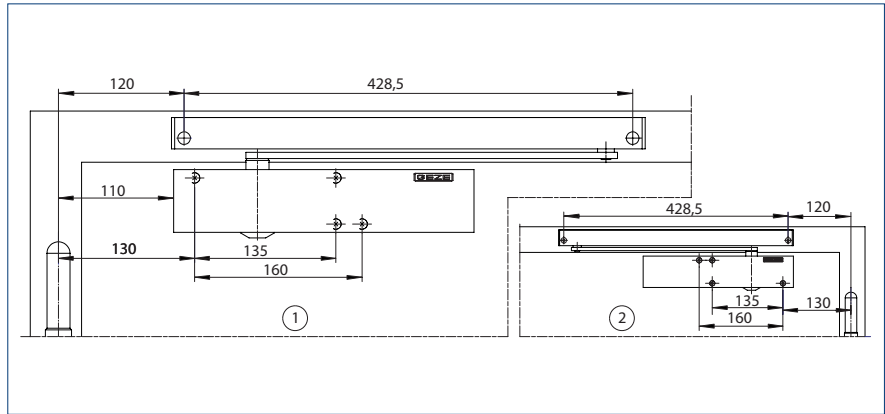
TS 5000 Ecline

TS 5000 ECLINE DOOR LEAF INSTALLATION/HINGE SIDE

DIRECT INSTALLATION

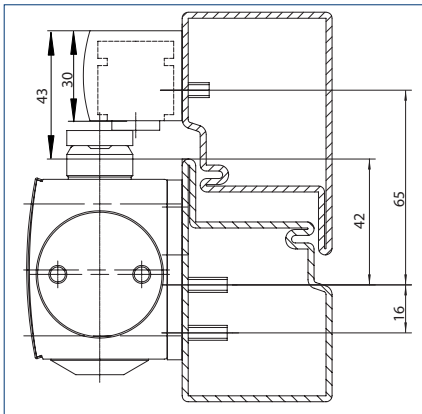


Cross-section = direct installation

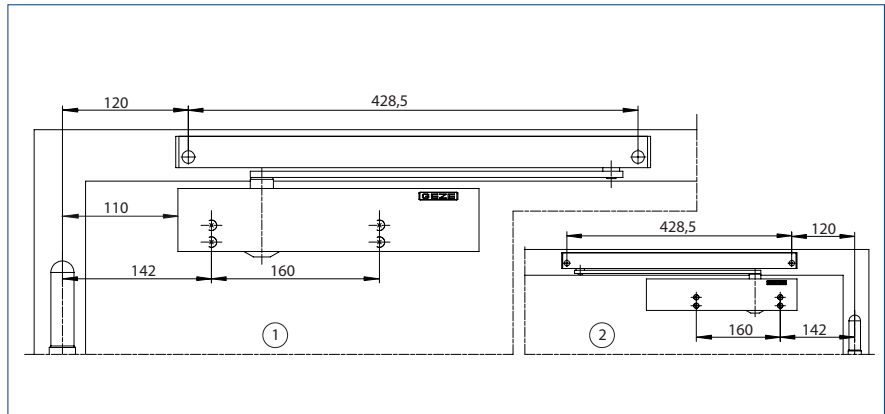


1 = Fitting dimensions DIN left | 2 = DIN right

INSTALLATION WITH MOUNTING PLATE



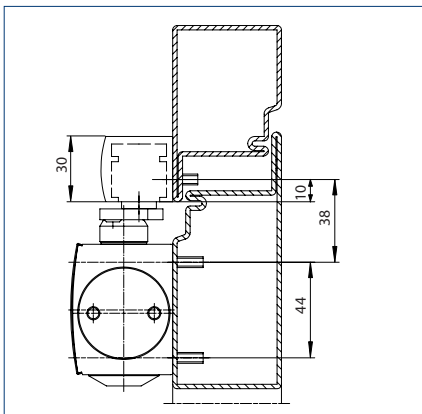
Cross-section = installation with mounting plate



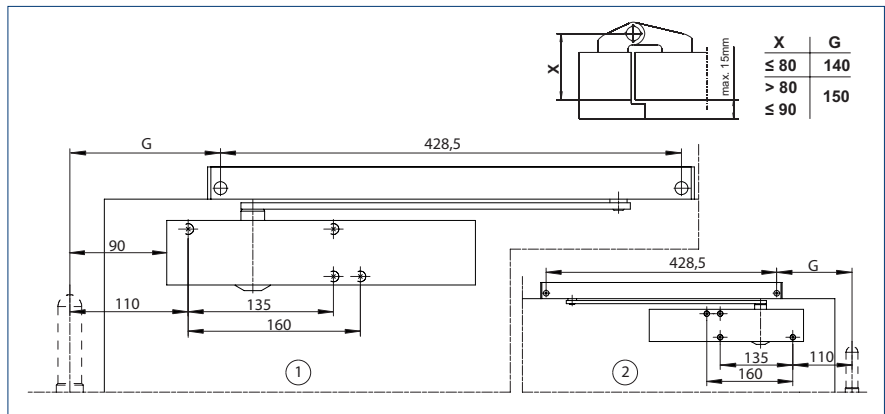
1 = Fitting dimensions DIN left | 2 = DIN right

TS 5000 L ECLINE DOOR LEAF INSTALLATION/OPPOSITE HINGE SIDE

DIRECT INSTALLATION



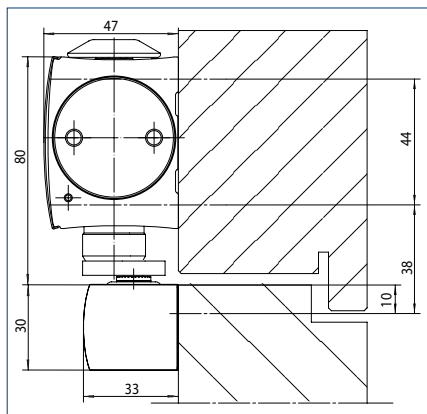
Cross-section = direct installation



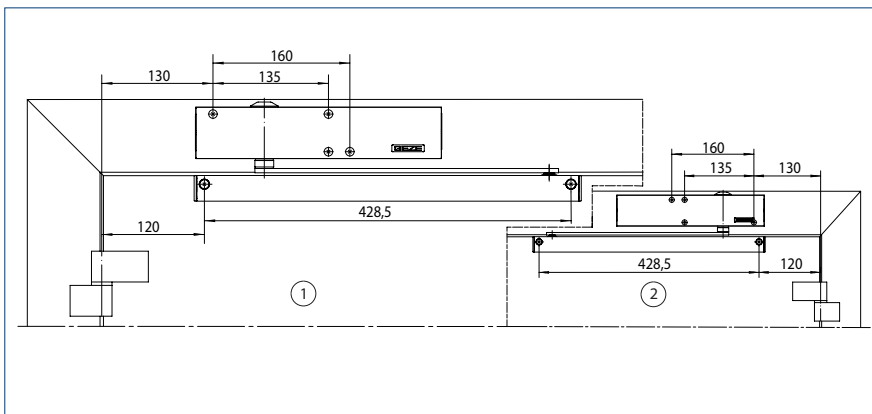
1 = Fitting dimensions DIN right | 2 = DIN left

TS 5000 L ECLINE TRANSOM INSTALLATION HINGE SIDE

DIRECT INSTALLATION

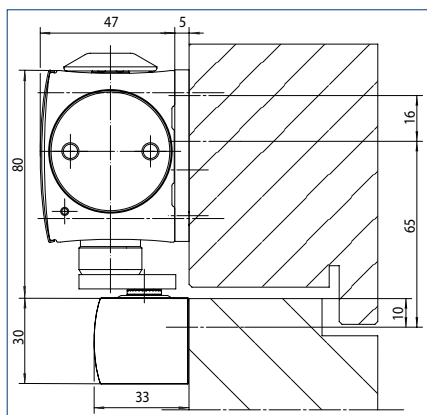


Cross-section = direct installation

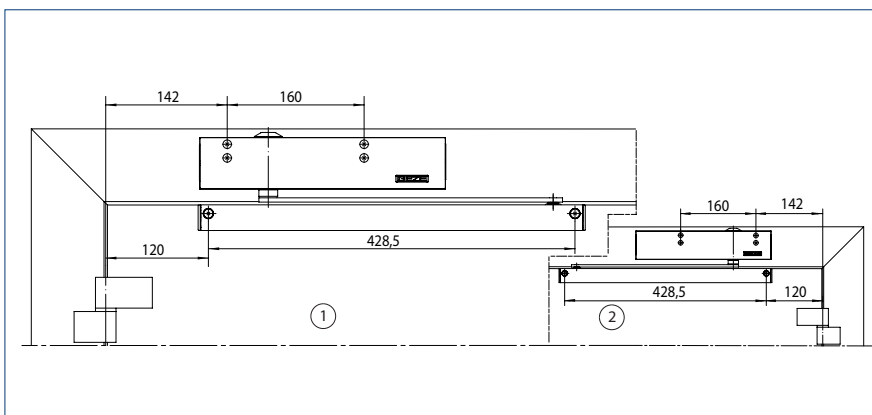


1 = Fitting dimensions DIN left | 2 = DIN right

INSTALLATION WITH MOUNTING PLATE



Cross-section = installation with mounting plate



1 = Fitting dimensions DIN left | 2 = DIN right

TS 5000 ECLINE – ORDER INFORMATION

Designation

Ecline guide rail TS 5000 BG
For use with TS 5000 L Ecline door closer for door leaf installation on the opposite hinge side, with integrated opening assistance for easy opening, with lever

Version

silver-coloured 143578
white RAL 9016 143579
stainless steel optic¹ 143580
acc. to RAL³ 143582

ID no.

Ecline guide rail TS 5000
For use with TS 5000 Ecline door closer, with integrated opening assistance for easy opening, with lever

silver-coloured 143572
white RAL 9016 143575
stainless steel optic¹ 143576
acc. to RAL³ 143577

TS 5000 Ecline door closer
Closing force EN - 5, with back check (without guide rail and lever)

silver-coloured 143640
white RAL 9016 143641
stainless steel face plate 143642
acc. to RAL³ 143643

TS 5000 L Ecline door closer
Closing force EN 3-5, with back check (without guide rail and lever)

silver-coloured 143648
white RAL 9016 143649
stainless steel face plate 143650
acc. to RAL³ 143651

TS 5000 ECLINE – ORDER INFORMATION

Designation	Version	ID no.
Guide rail BG TS 5000/TS 3000 Standard With lever, use with door closer on leaf installation opposite hinge side	silver-coloured	025655
	white RAL 9016	029404
	black RAL 9005	076490
	stainless steel optic ¹	028732
	acc. to RAL ³	025656
Guide rail TS 5000/TS 3000 vertically adjustable Height compensation +/- 2 mm, with lever	silver-coloured	115191
	acc. to RAL ³	115192
Guide rail TS 5000/TS 3000 Standard With lever	silver-coloured	068221
	white RAL 9016	015695
	stainless steel optic ¹	014945
	acc. to RAL ³	000773
Guide rail BG lintel installation TS 3/5000 L Guide rail with lever, used with door closer on door leaf installation opposite hinge side	silver-coloured	189148
	acc. to RAL ³	189149
T-Stop guide rail BG TS 5000/TS 3000 With integrated opening restrictor and lever, use with door closer on leaf installation opposite hinge side or with pivot bearing in leaf and transom installation opposite hinge side	silver-coloured	102366
	white RAL 9016	108482
	stainless steel optic ¹	102367
	acc. to RAL ³	102368
T-Stop guide rail TS 5000/TS 3000 With integrated opening restrictor and lever	silver-coloured	102363
	white RAL 9016	108481
	stainless steel optic ¹	102364
	acc. to RAL ³	102365

INSTALLATION MATERIAL

Drilling template door closer For TS 5000/TS 4000/TS 3000/TS 2000		053134
Glass clamping shoe door closer For TS 5000/TS 4000	silver-coloured	057126
	white RAL 9016	009491
	acc. to RAL ³	009494
Mounting plate guide rail For standard / Ecline / T-Stop / EFS guide rail	silver-coloured	001512
	white RAL 9016	129252
	acc. to RAL ³	104515
Mounting plate guide rail BG For standard / Ecline / T-Stop / EFS guide rails	silver-coloured	124683
	acc. to RAL ³	124684
Mounting plate door closer For TS 5000/TS 4000 with hole pattern according to DIN EN 1154 Supplement 1	silver-coloured	049185
	white RAL 9016	068627
	galvanised	057956
	black RAL 9005	076508
	stainless steel optic ¹	137725
	acc. to RAL ³	029176
Lintel casing bracket guide rail BG For Ecline and T-Stop guide rail	silver-coloured	115006
	acc. to RAL ³	115007
Lintel casing bracket transom installation BG For TS 5000/TS 4000	silver-coloured	049240
	acc. to RAL ³	104451

ACCESSORIES

Cover cap door closer For TS 5000/TS 5000 L/TS 4000, can only be used for door leaf installation	silver-coloured	067724
	white RAL 9016	067726
	stainless steel	072696
	acc. to RAL ³	000756
Mechanical hold-open unit For Ecline guide rail, retention force adjustable, can be switched on and off, can be overridden ²		148820

1 Only for dry rooms | 2 Use on fire protection doors not permissible | 3 Surcharge for RAL special colours, see General Notes in the price list.

TS 5000



Overhead door closer with guide rail for single leaf doors up to 1400 mm leaf width

AREAS OF APPLICATION

- Fire and smoke protection doors
- Right and left single-action doors
- Single-action doors up to 1400 mm leaf width
- Door leaf installation on hinge side and transom installation on opposite hinge side

PRODUCT FEATURES

- Closing force adjustable of EN2-6
- Can be used for right and left hand doors without conversion
- Hydraulic latching action which accelerates the door shortly before the closed position
- Closing speed can be individually adjusted
- Integrated back check, slows down doors that are thrown open forcefully
- Visual closing force display for easy control of the setting
- All functions can be adjusted from the front

SPECIAL VERSIONS

- TS 5000 with mechanical hold-open device, with variable adjustment between 80° and 130° (not permissible for use on fire and smoke protection doors)
- TS 5000 S door closer with delayed closing which can be adjusted from the front

TECHNICAL DATA FOR DOOR CLOSER

	TS 5000 door closer	TS 5000 S door closer	TS 5000 L door closer
PRODUCT FEATURES			
Closing force acc. to EN 1154	2 – 6		
Leaf width recommended up to	1400 mm		
Identical design DIN left and DIN right	●	●	●
Product tested in accordance with	Door closer tested acc. to EN 1154		
Suitability for fire protection doors	●	●	●
Mounting plate with hole pattern in accordance with EN1154 Supplement	●	●	●
Length	287 mm		
Overall depth	47 mm		
Height	60 mm		

FUNCTIONS

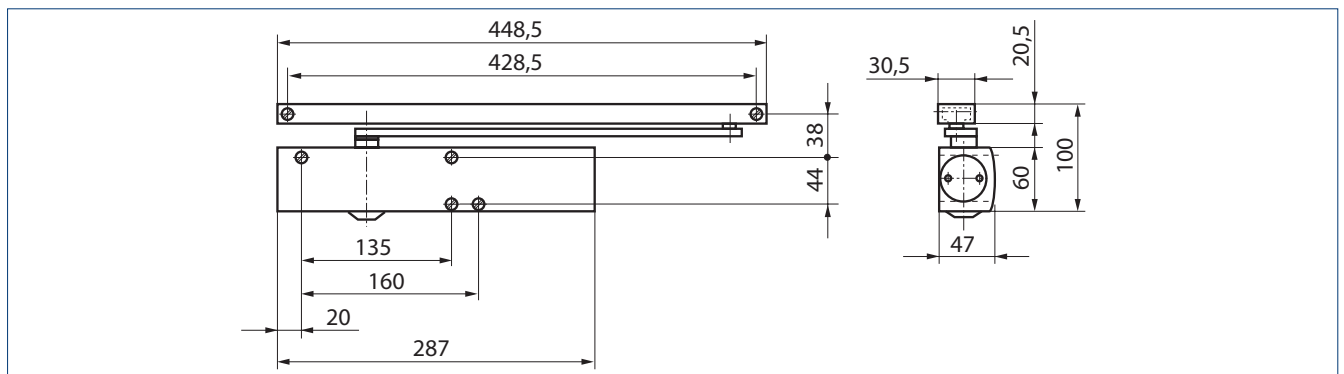
Closing force adjustable	Yes, with variable adjustment		
Closing speed adjustable	●	●	●
Latching action adjustable	Yes, via valve		
Back check integrated	Yes, hydraulically adjustable		
Delayed closing integrated	-	●	-
Closing force adjustment position	Front		
Visual closing force display	●	●	●
Safety valve to prevent wilful damage	●	●	●
Thermo-constant valves	●	●	●

● = yes | ○ = optional

TECHNICAL DATA FOR GUIDE RAIL

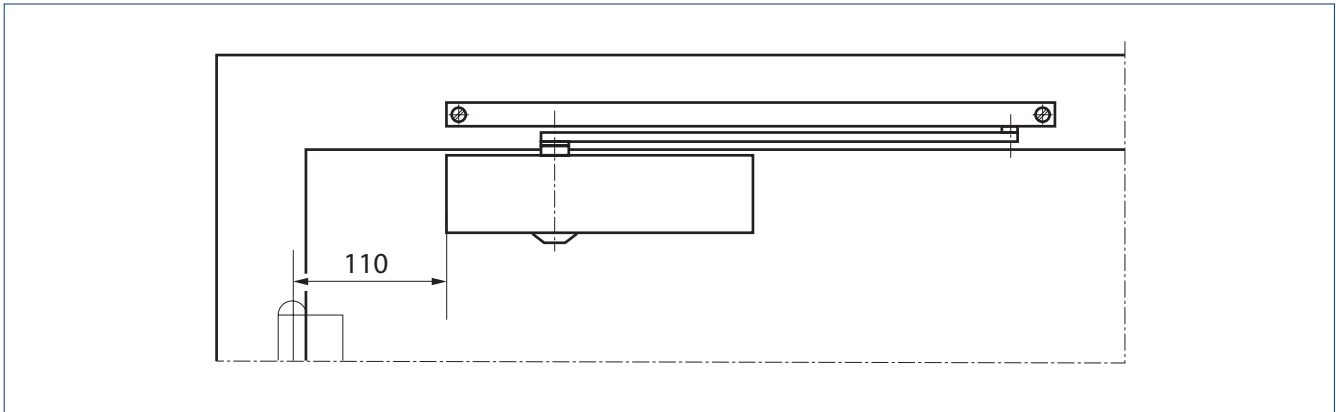
	Guide rail TS 5000/TS 3000 vertically adjustable	Guide rail TS 5000/TS 3000	T-Stop guide rail TS 5000/TS 3000	Guide rail BG lintel installation TS 3/5000 L
PRODUCT FEATURES				
Length	448.5 mm	448.5 mm	452.5 mm	550 mm
Overall depth	30.5 mm	30.5 mm	33 mm	30.5 mm
Height	20.5 mm	20.5 mm	30 mm	20.7 mm
FUNCTIONS				
Opening restrictor integrated	○	○	●	○
Hold-open unit integrated	○	○	○	○
Height correction possible	●	-	-	-

● = yes | ○ = optional

PRODUCT SCALE DRAWING


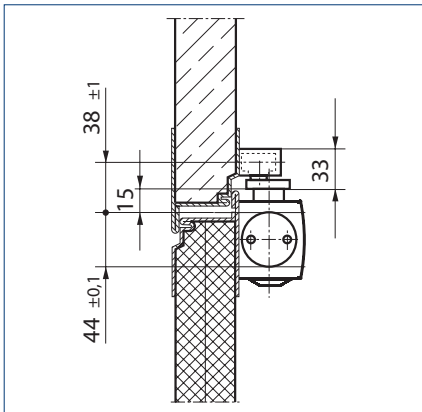
DOOR LEAF INSTALLATION/HINGE SIDE TS 5000

VIEW

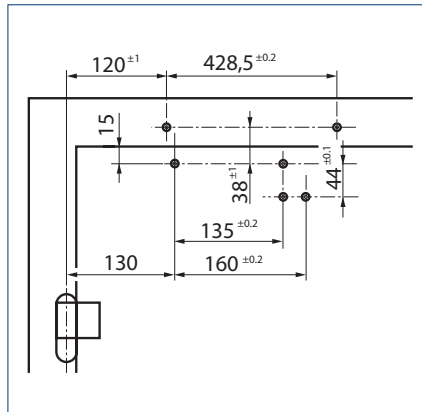


Installation example

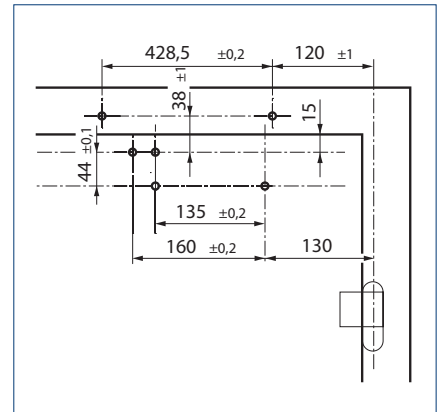
DIRECT INSTALLATION



Cross-section = direct installation

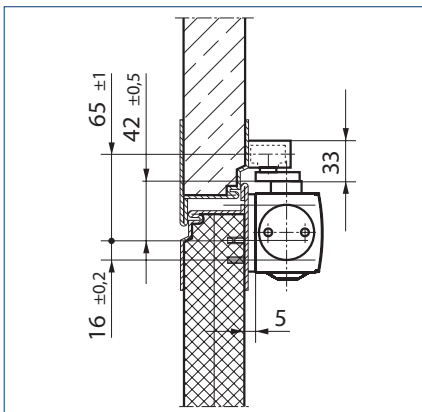


Fitting dimensions for left-hand door

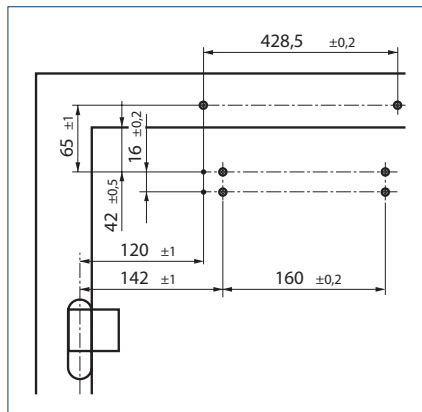


Fitting dimensions for right-hand door

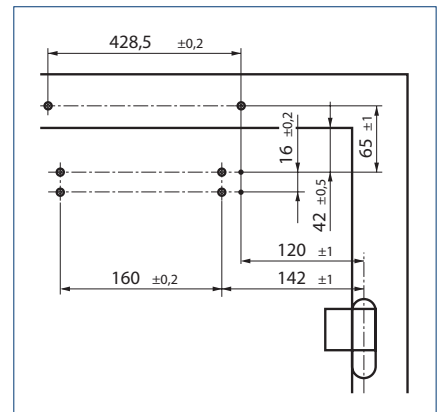
INSTALLATION WITH MOUNTING PLATE



Cross-section = installation with mounting plate

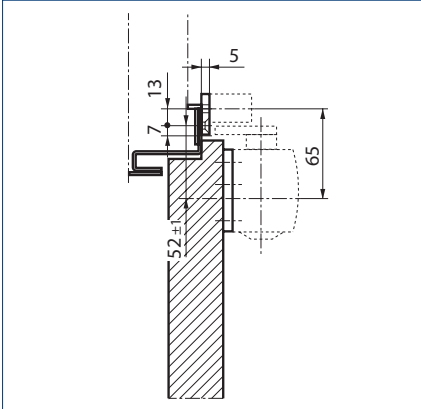


Fitting dimensions for left-hand door

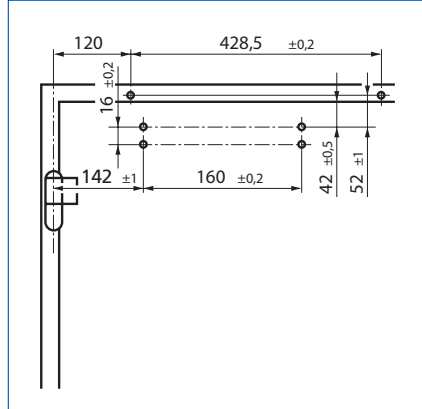


Fitting dimensions for right-hand door

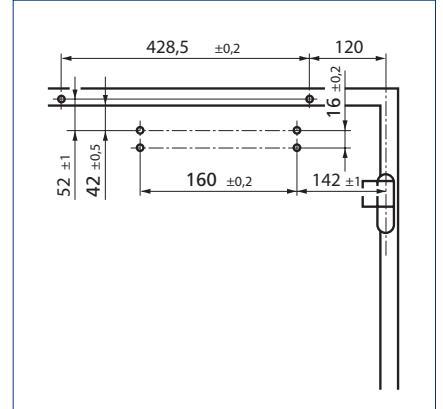
INSTALLATION ON SLIM FRAMES



Cross-section = installation with mounting plate



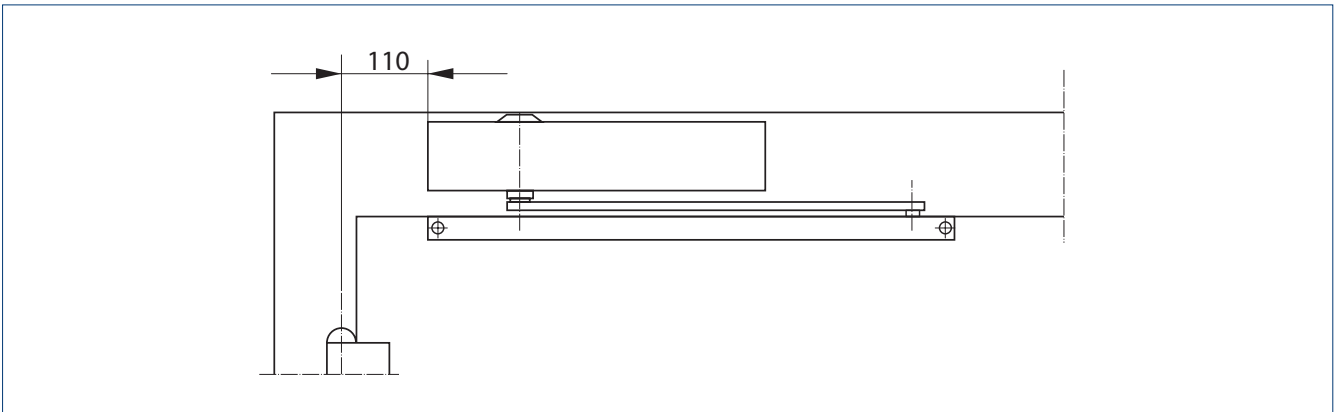
Fitting dimensions for left-hand door



Fitting dimensions for right-hand door

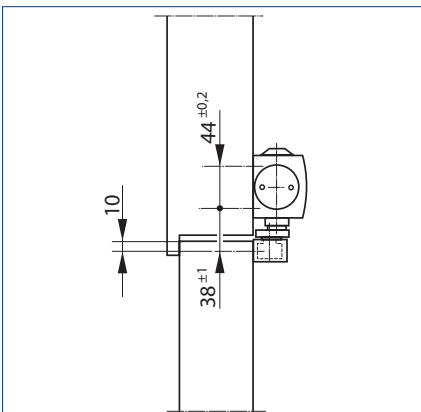
TRANSOM INSTALLATION/HINGE SIDE TS 5000 L

VIEW

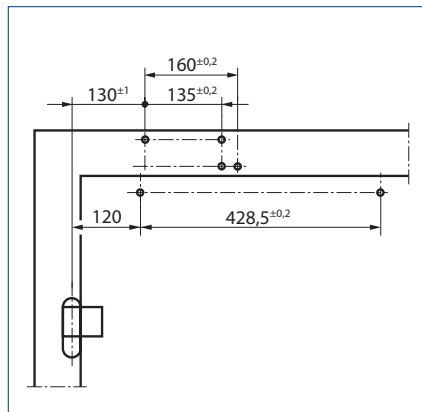


Installation example

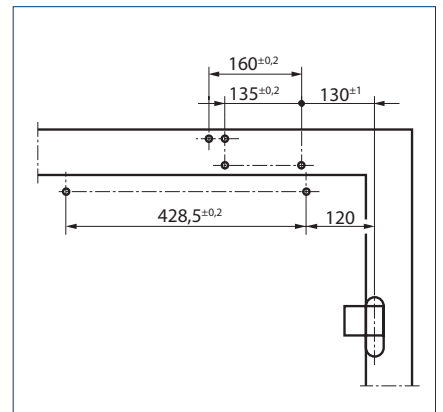
DIRECT INSTALLATION



Cross-section = direct installation

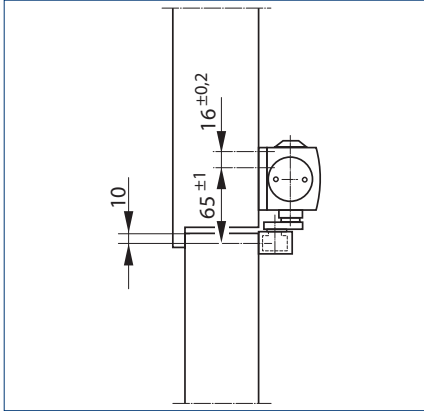


Fitting dimensions for left-hand door

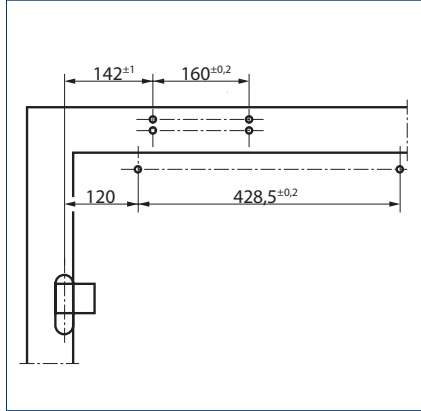


Fitting dimensions for right-hand door

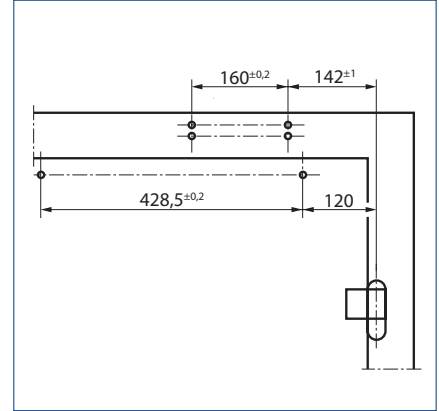
INSTALLATION WITH MOUNTING PLATE



Cross-section = installation with mounting plate



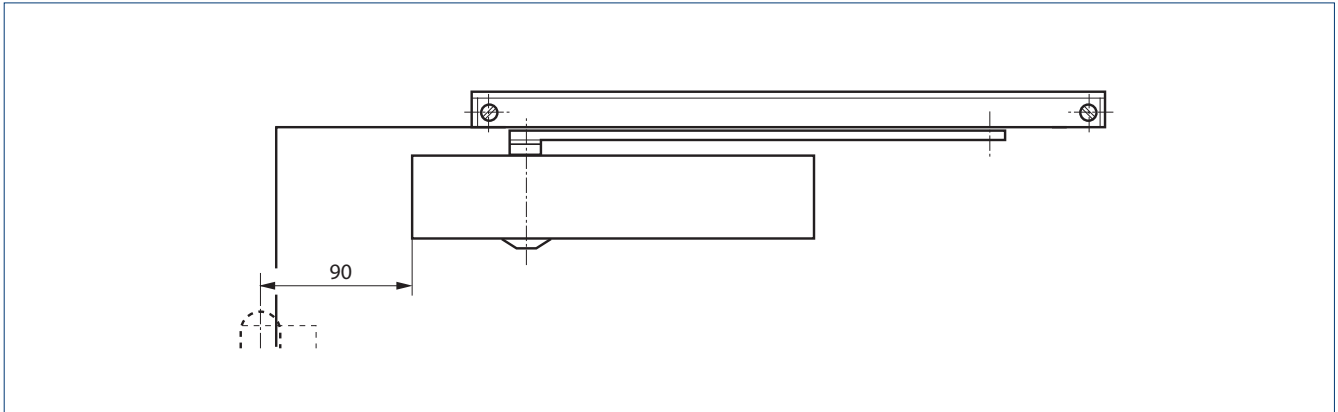
Fitting dimensions for left-hand door



Fitting dimensions for right-hand door

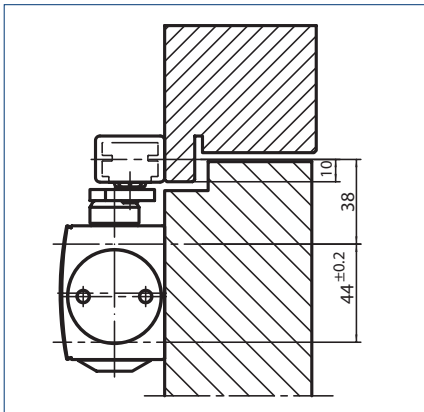
DOOR LEAF INSTALLATION/OPPOSITE HINGE SIDE TS 5000 L

VIEW

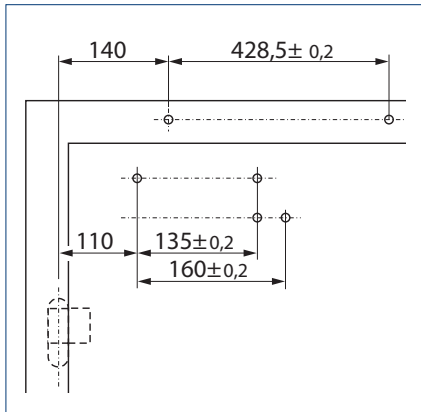


Installation example

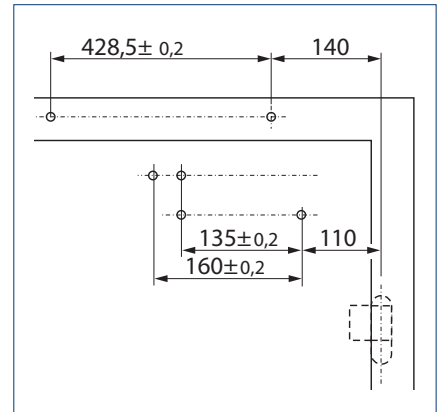
DIRECT INSTALLATION



Cross-section = direct installation

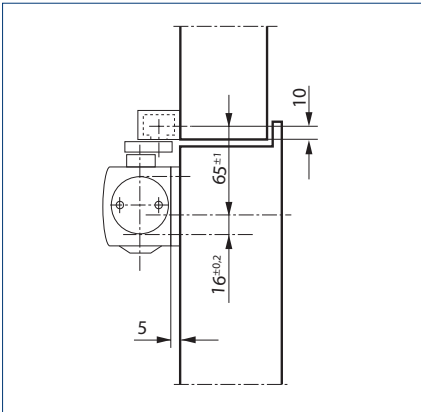


Fitting dimensions for right-hand door

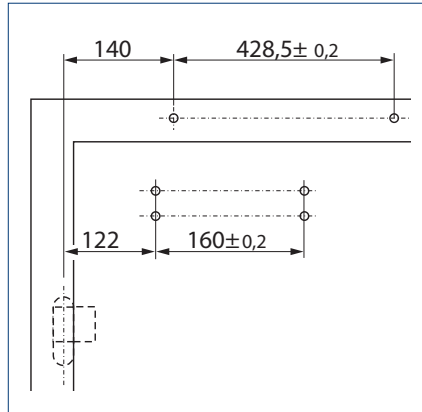


Fitting dimensions for left-hand door

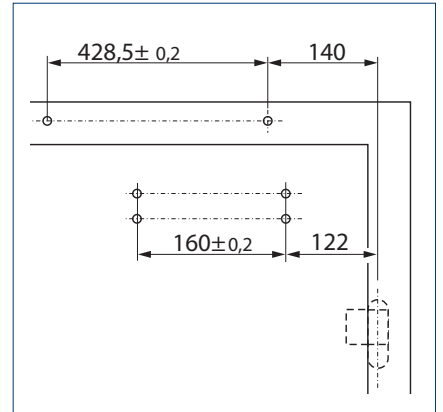
INSTALLATION WITH MOUNTING PLATE



Cross-section = installation with mounting plate

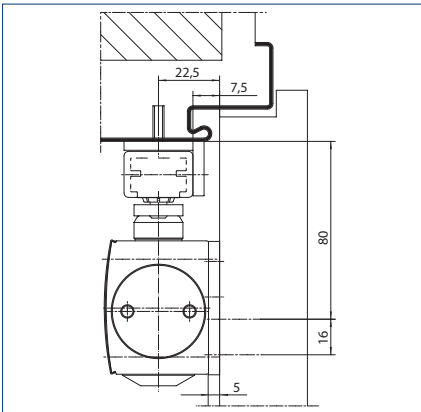


Fitting dimensions for right-hand door



Fitting dimensions for left-hand door

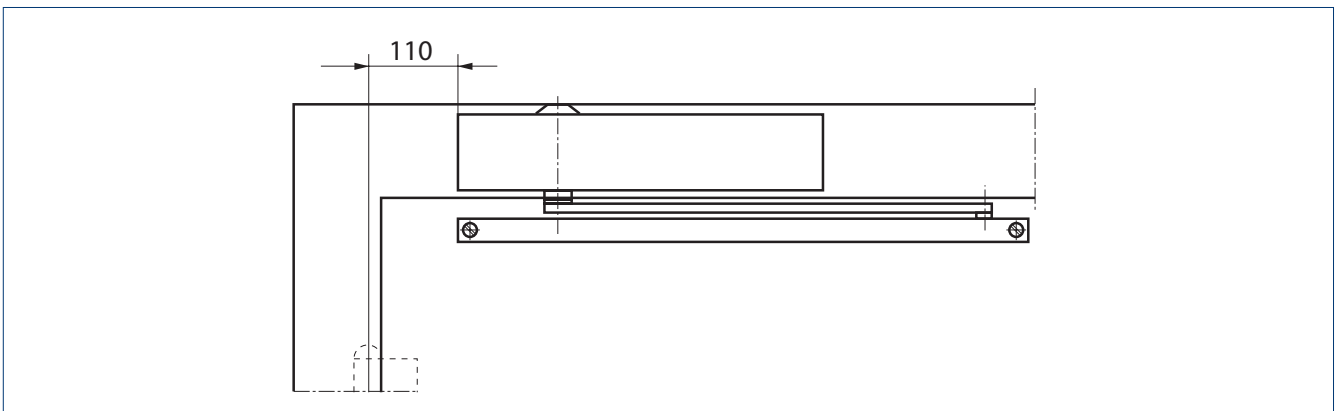
INSTALLATION WITH LINTEL CASING BRACKET



Cross-section = installation with mounting plate and lintel casing bracket

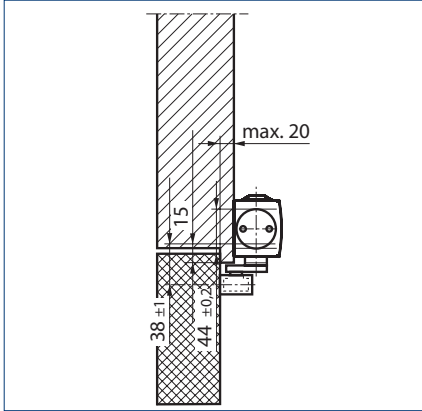
TRANSOM INSTALLATION/OPPOSITE HINGE SIDE TS 5000 (BACK CHECK NOT EFFECTIVE)

VIEW

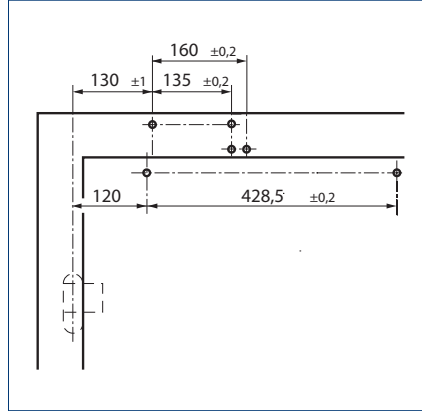


Installation example

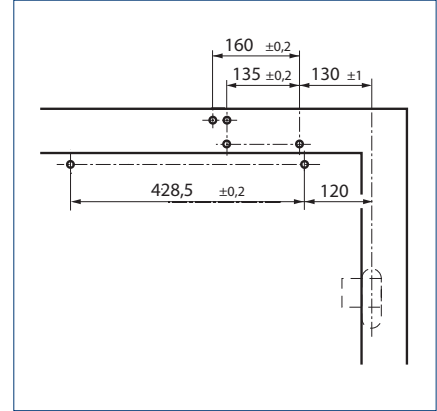
DIRECT INSTALLATION



Cross-section = direct installation

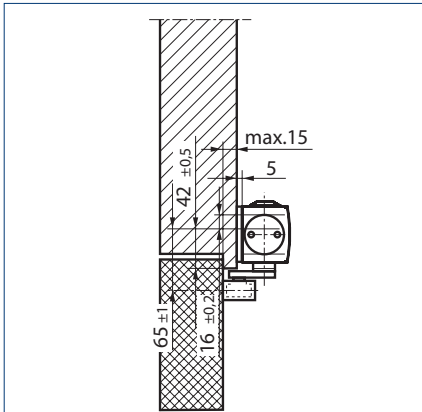


Fitting dimensions for right-hand door

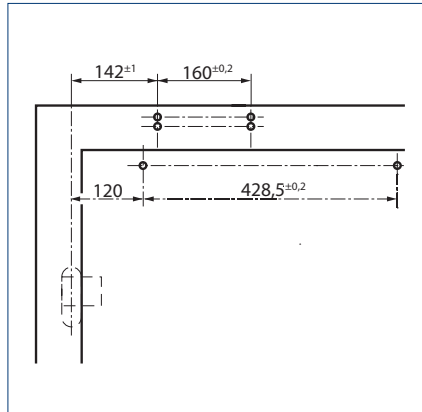


Fitting dimensions for left-hand door

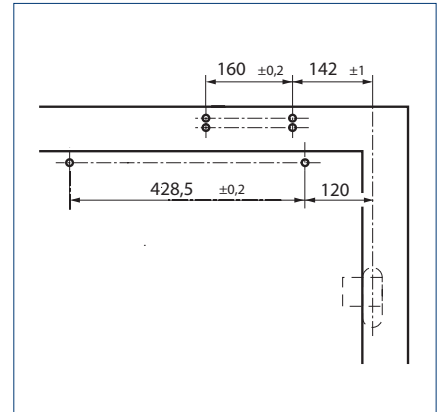
INSTALLATION WITH MOUNTING PLATE



Cross-section = installation with mounting plate



Fitting dimensions for right-hand door



Fitting dimensions for left-hand door

TS 5000 – ORDER INFORMATION

Designation	Version	ID no.
TS 5000 door closer Closing force EN 2-6, with back check (without guide rail and lever)	silver-coloured	027333
	white RAL 9016	027335
	stainless steel face plate	137721
	black RAL 9005	076489
	acc. to RAL ²	027336
TS 5000 S door closer Closing force EN 2-6, with delayed closing and back check (without guide rail and lever)	silver-coloured	107935
	white RAL 9016	107937
	stainless steel face plate	137722
	acc. to RAL ²	107938
TS 5000 L door closer Closing force EN 2-6, with back check (without guide rail and lever)	silver-coloured	027351
	white RAL 9016	029400
	stainless steel face plate	137723
	black RAL 9005	119579
Guide rail TS 5000/TS 3000 vertically adjustable Height compensation +/- 2 mm, with lever	silver-coloured	115191
	acc. to RAL ²	115192
	silver-coloured	068221
	white RAL 9016	015695
Guide rail TS 5000/TS 3000 Standard, with lever	black RAL 9005	076490
	stainless steel optic ¹	014945
	acc. to RAL ²	000773
	silver-coloured	189148
Guide rail BG lintel installation TS 3/5000 L Guide rail with lever, used with door closer on door leaf installation opposite hinge side	acc. to RAL ²	189149
	silver-coloured	102363
T-Stop guide rail TS 5000/TS 3000 With integrated opening restrictor and lever	white RAL 9016	108481
	stainless steel optic ¹	102364
	acc. to RAL ²	102365
	silver-coloured	115193
Guide rail BG TS 5000/TS 3000 vertically adjustable Height compensation +/- 2 mm, with lever, use with door closer on leaf installation opposite hinge side	acc. to RAL ²	115194
	silver-coloured	025655
Guide rail BG TS 5000/TS 3000 Standard With lever, use with door closer on leaf installation opposite hinge side	white RAL 9016	029404
	black RAL 9005	198812
	stainless steel optic ¹	028732
	acc. to RAL ²	025656
INSTALLATION MATERIAL		
Drilling template door closer For TS 5000/TS 4000/TS 3000/TS 2000		053134
	silver-coloured	057126
Glass clamping shoe door closer For TS 5000/TS 4000	white RAL 9016	009491
	acc. to RAL ²	009494
	silver-coloured	001512
Mounting plate guide rail For standard / ECline / T-Stop / EFS guide rail	white RAL 9016	129252
	acc. to RAL ²	104515
	silver-coloured	049185
Mounting plate door closer For TS 5000/TS 4000 with hole pattern according to DIN EN 1154 Supplement 1	white RAL 9016	068627
	black RAL 9005	076508
	stainless steel optic ¹	137725
	galvanised	057956
	acc. to RAL ²	029176

TS 5000 – ORDER INFORMATION

Designation	Version	ID no.
Lintel casing bracket transom installation BG For TS 5000/TS 4000	silver-coloured	049240
	acc. to RAL ²	104451
ACCESSORIES		
Cover cap door closer For TS 5000/TS 5000 L/TS 4000, can only be used for door leaf installation	silver-coloured	067724
	white RAL 9016	067726
	stainless steel	072696
	brass	072698
	acc. to RAL ²	000756
Mechanical hold-open unit For standard / T-Stop / Boxer 20.7 mm guide rail, retention force adjustable, can be switched on and off, can be overridden		071924
Flexible opening restrictor for lightweight doors For riveted guide rails, standard guide rails BG & Boxer 20.7 mm guide rails		069780

1 Only for dry rooms | 2 Surcharge for RAL special colours, see General Notes in the Price List.



TS 5000, Textile and Industry Museum, Augsburg, Germany (Photo: Dirk Wilhelmy)

TS 5000 SoftClose



Overhead door closer with guide rail for single leaf doors up to 1400 mm leaf width with latching action and brake-to-stop function

AREAS OF APPLICATION

- Fire and smoke protection doors
- Right and left single-action doors
- Single-action doors up to 1400 mm leaf width
- Door leaf installation hinge side and transom installation opposite hinge side

PRODUCT FEATURES

- Closing force of EN2-6 with variable adjustment
- Can be used for right and left hand doors without conversion
- Latching action/smooth latching function via valve can be adjusted from the front
- Closing speed can be individually adjusted
- Integrated back check, slows down doors that are thrown open forcefully
- Visual closing force display for easy control of the setting
- All functions can be adjusted from the front

TECHNICAL DATA FOR DOOR CLOSER

	TS 5000 SoftClose door closer	TS 5000 L SoftClose door closer
PRODUCT FEATURES		
Closing force acc. to EN 1154	2 – 6	3 – 6
Leaf width recommended up to	1400 mm	
Identical design DIN left and DIN right	●	
Product tested in accordance with	Door closer tested acc. to EN 1154	
Suitability for fire protection doors	●	
Mounting plate with hole pattern in accordance with EN1154 Supplement	●	
Length	287 mm	
Overall depth	47 mm	
Height	60 mm	
FUNCTIONS		
Closing force adjustable	Yes, with variable adjustment	
Closing speed adjustable	●	
Latching action adjustable	Yes, via valve	
Latching action speed integrated	Yes, via valve to brake or accelerate the door between 15° und 0°	
Back check integrated	Yes, hydraulically adjustable	
Closing force adjustment position	Front	
Visual closing force display	●	
Safety valve to prevent wilful damage	●	
Thermo-constant valves	●	

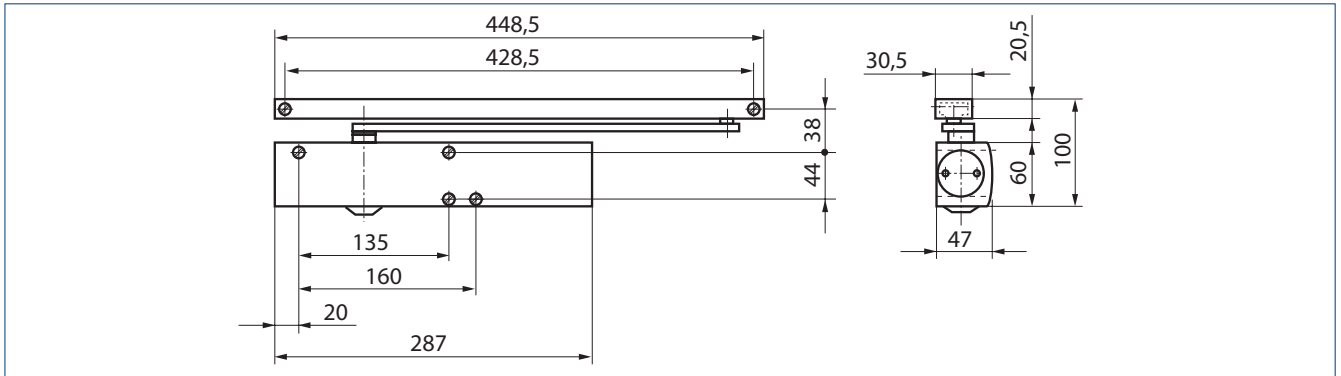
● = yes | ○ = optional

TECHNICAL DATA FOR GUIDE RAIL

	Guide rail TS 5000/TS 3000 vertically adjustable	Guide rail TS 5000/TS 3000	T-Stop guide rail TS 5000/TS 3000	Guide rail BG lintel installation TS 3/5000 L
PRODUCT FEATURES				
Length	448.5 mm	448.5 mm	452.5 mm	550 mm
Overall depth	30.5 mm	30.5 mm	33 mm	30.5 mm
Height	20.5 mm	20.5 mm	30 mm	20.7 mm
FUNCTIONS				
Opening restriction integrated	○	○	●	○
Hold-open unit integrated	○	○	○	○
Height correction possible	●	-	-	-

● = yes | ○ = optional

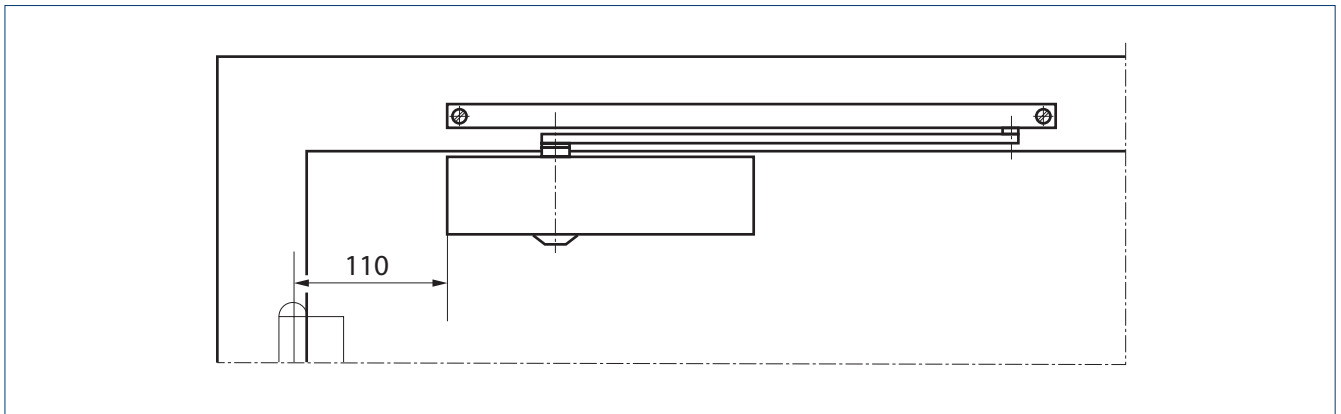
PRODUCT SCALE DRAWING



TS 5000 SoftClose

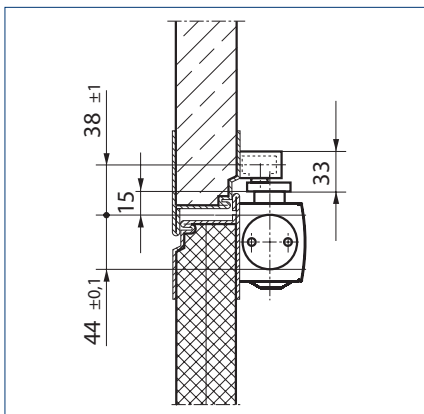
DOOR LEAF INSTALLATION/HINGE SIDE TS 5000 SOFTCLOSE

VIEW

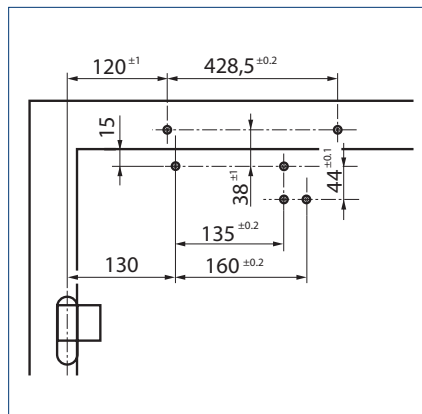


Installation example

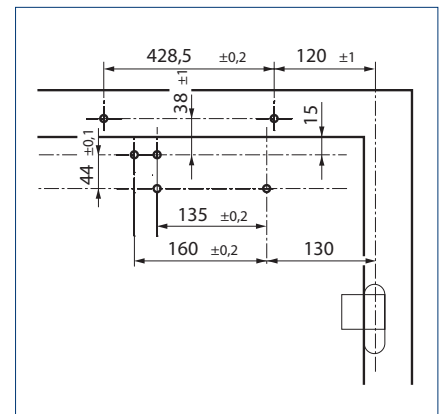
DIRECT INSTALLATION



Cross-section = direct installation

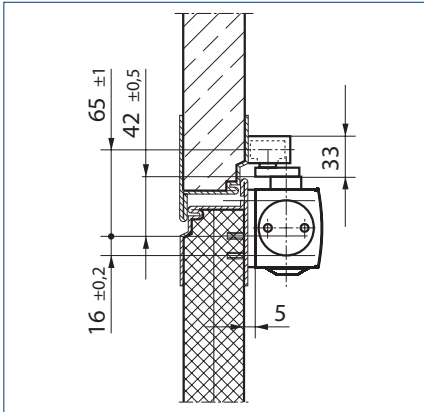


Fitting dimensions for left-hand door

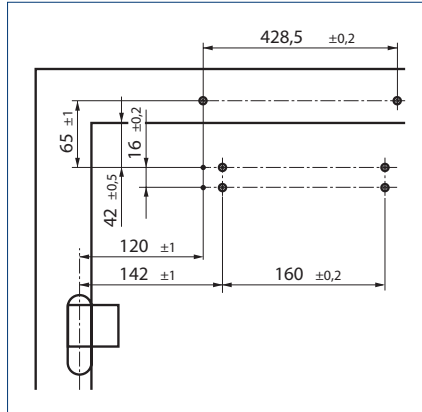


Fitting dimensions for right-hand door

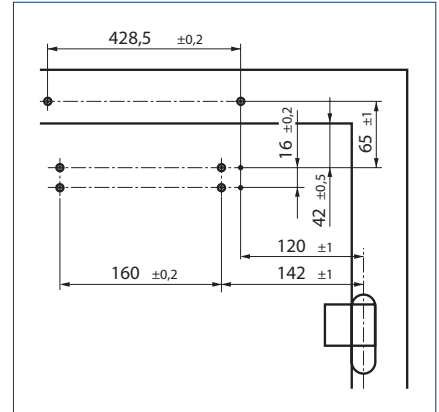
INSTALLATION WITH MOUNTING PLATE



Cross-section = installation with mounting plate

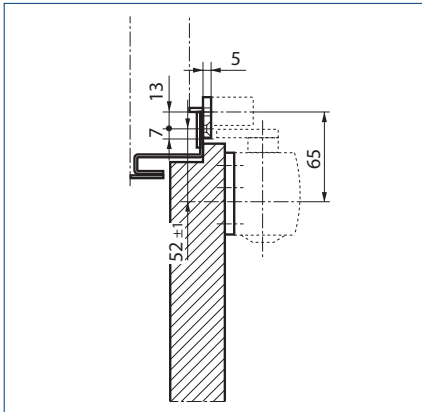


Fitting dimensions for left-hand door

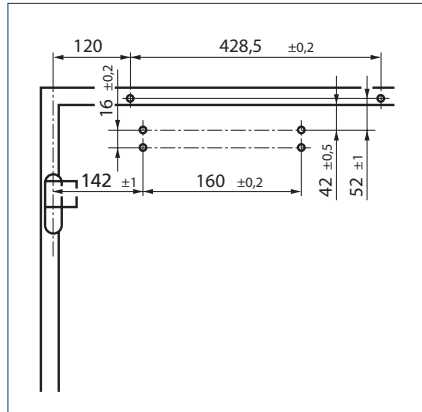


Fitting dimensions for right-hand door

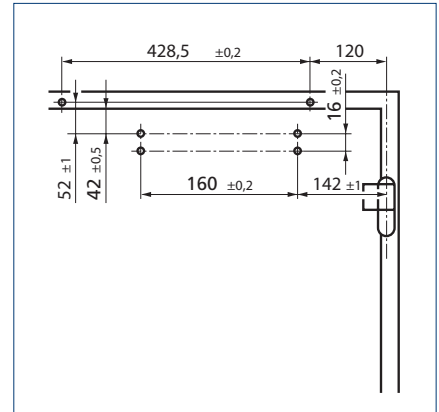
INSTALLATION ON SLIM FRAMES



Cross-section = installation with mounting plate



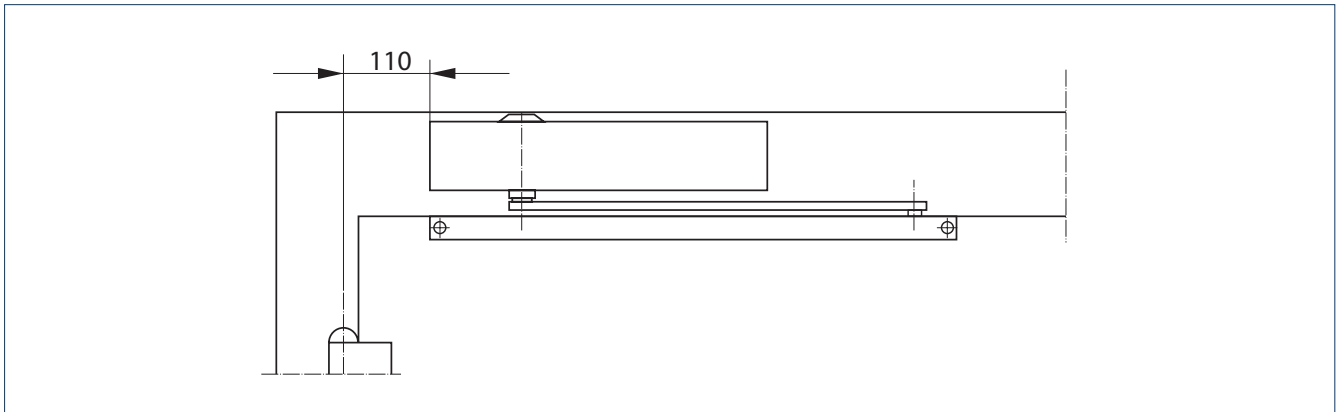
Fitting dimensions for left-hand door



Fitting dimensions for right-hand door

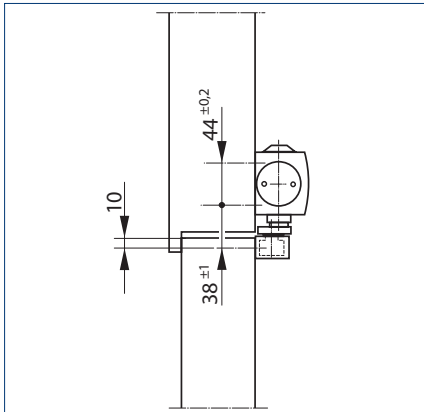
TRANSOM INSTALLATION/OPPOSITE HINGE SIDE TS 5000 L SOFTCLOSE

VIEW

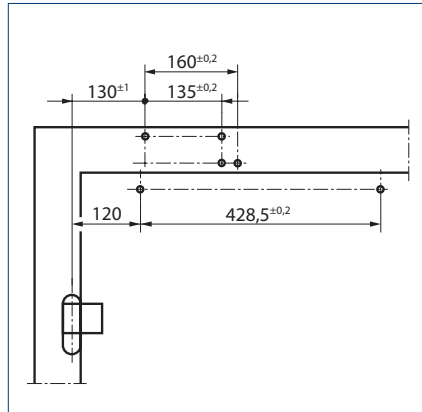


Installation example

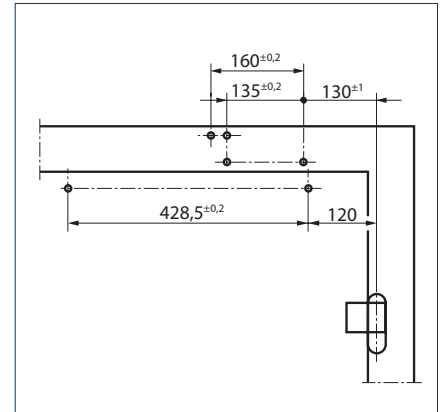
DIRECT INSTALLATION



Cross-section = direct installation

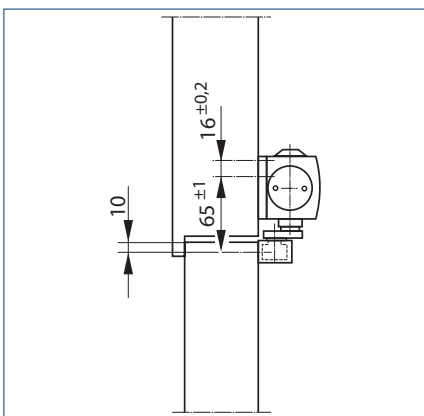


Fitting dimensions for left-hand door

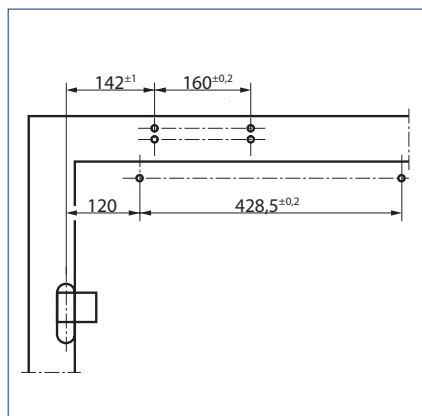


Fitting dimensions for right-hand door

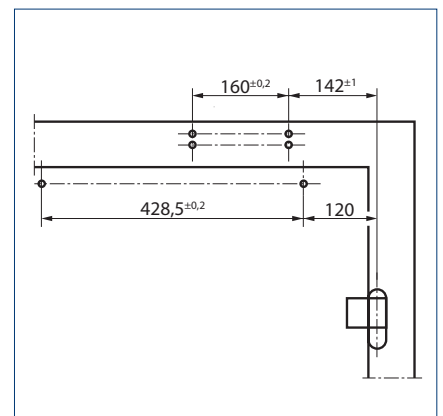
INSTALLATION WITH MOUNTING PLATE



Cross-section = Installation with mounting plate



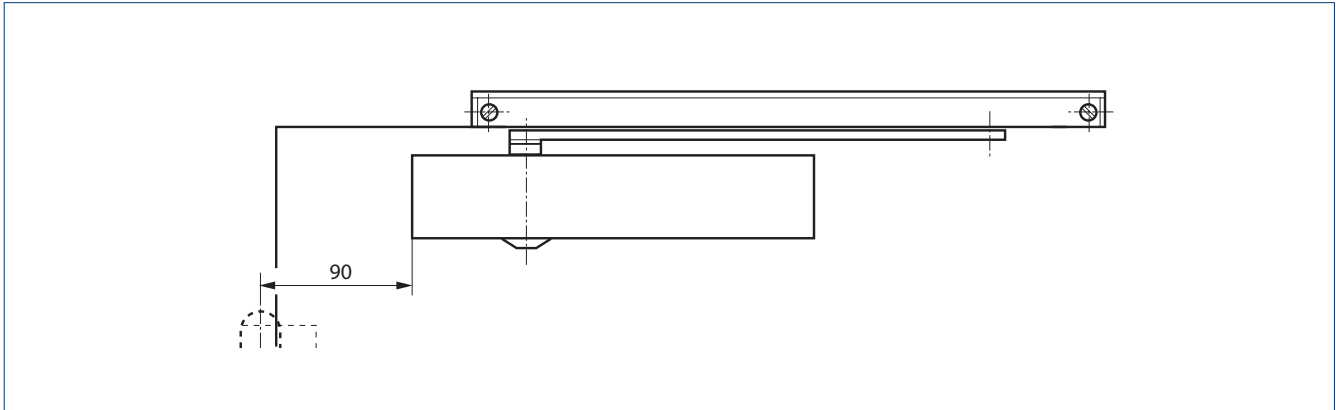
Fitting dimensions for left-hand door



Fitting dimensions for right-hand door

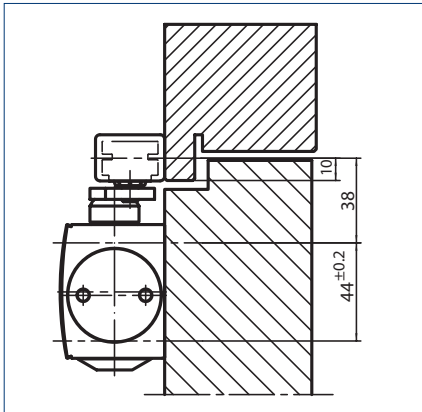
DOOR LEAF INSTALLATION/OPPOSITE HINGE SIDE TS 5000 L SOFTCLOSE

VIEW

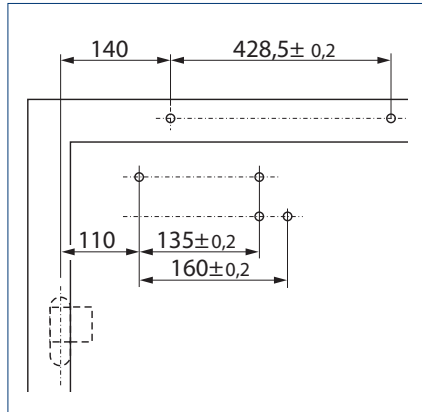


Installation example

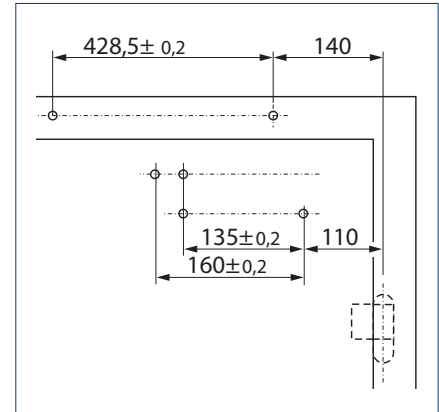
DIRECT INSTALLATION



Cross-section = direct installation

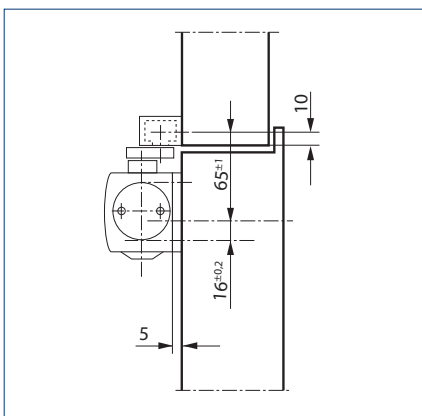


Fitting dimensions for right-hand door

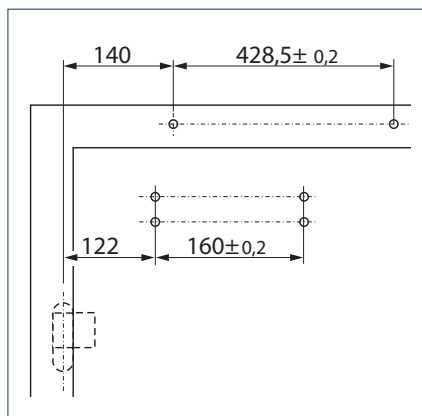


Fitting dimensions for left-hand door

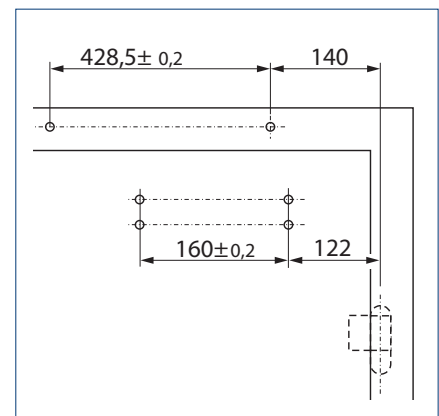
INSTALLATION WITH MOUNTING PLATE



Cross-section = Installation with mounting plate

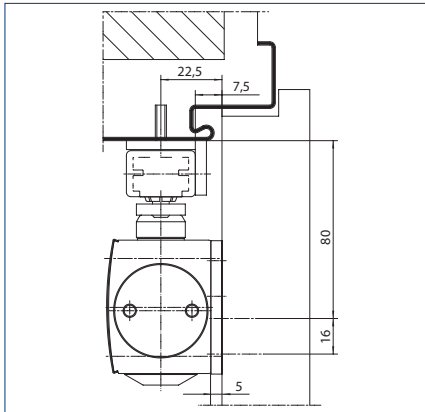


Fitting dimensions for right-hand door



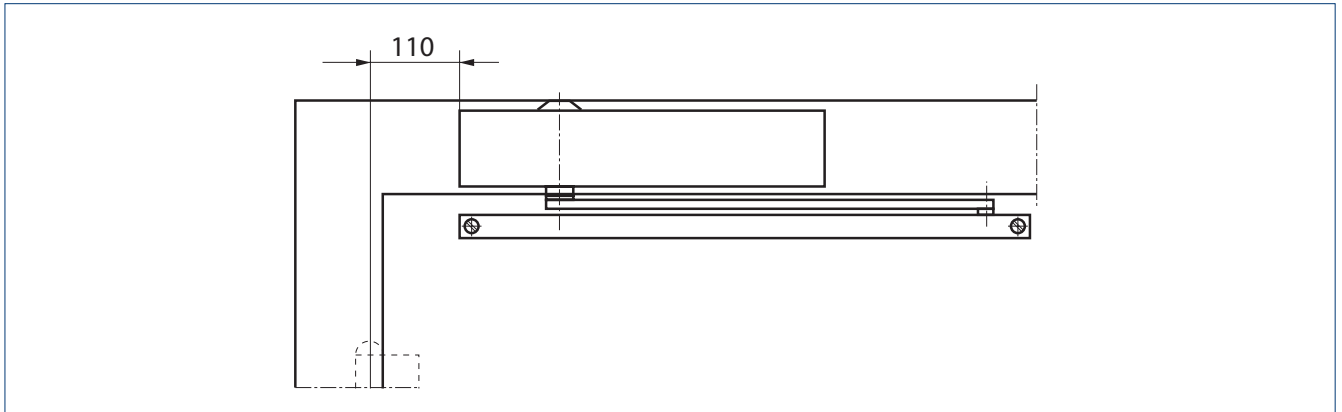
Fitting dimensions for left-hand door

INSTALLATION WITH LINTEL CASING BRACKET



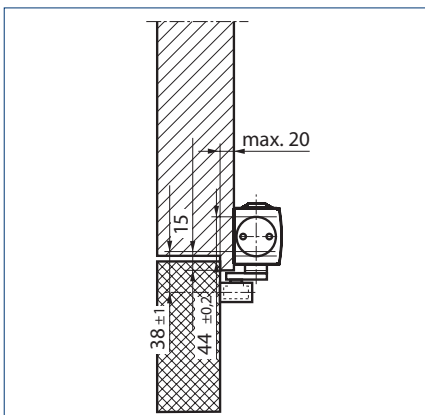
TRANSOM INSTALLATION/OPOSITE HINGE SIDE TS 5000 SOFTCLOSE (BACK CHECK NOT EFFECTIVE)

VIEW

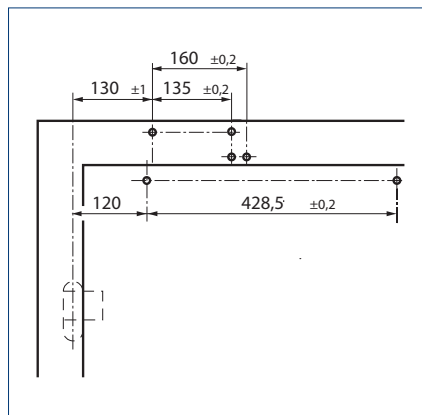


Installation example

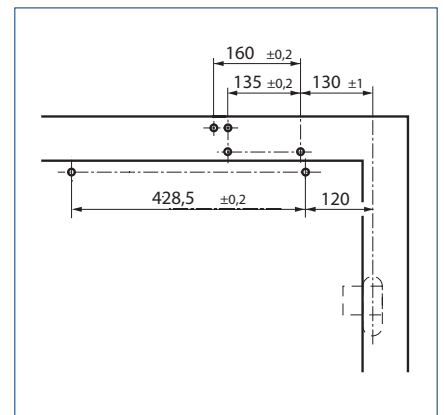
DIRECT INSTALLATION



Cross-section = direct installation

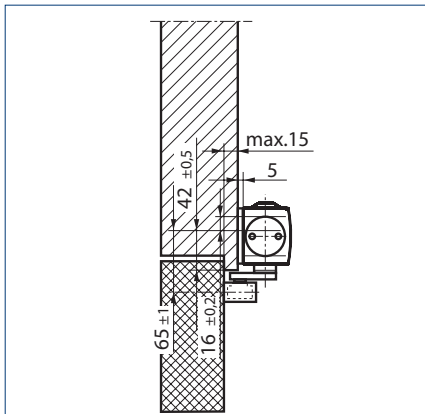


Fitting dimensions for right-hand door

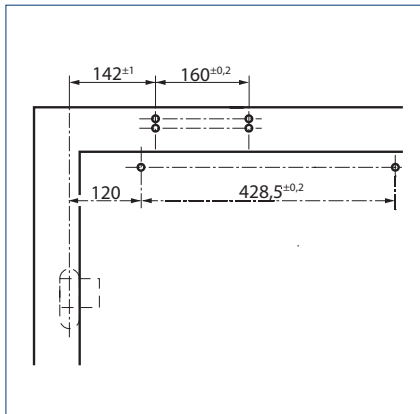


Fitting dimensions for left-hand door

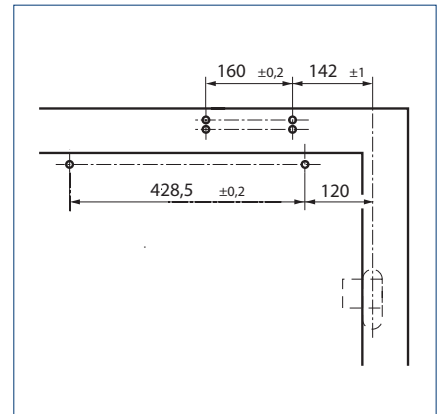
INSTALLATION WITH MOUNTING PLATE



Cross-section = Installation with mounting plate



Fitting dimensions for right-hand door



Fitting dimensions for left-hand door

TS 5000 SOFTCLOSE – ORDER INFORMATION

Designation

TS 5000 SoftClose door closer
Closing force EN 2-6, with back check and integrated latching action speed with variable adjustment, for door deceleration (without guide rail and lever)

Version

silver-coloured 181792
white RAL 9016 183430
stainless steel face plate 183431
acc. to RAL² 181793

ID no.

TS 5000 L SoftClose door closer
Closing force EN 2-6, with back check and integrated latching action speed with variable adjustment, for door deceleration (without guide rail and lever)

silver-coloured 191209
white RAL 9016 191211
stainless steel face plate 191272
acc. to RAL² 191210

Guide rail TS 5000/TS 3000 vertically adjustable
Height compensation +/- 2 mm, with lever

silver-coloured 115191
acc. to RAL² 115192

Guide rail TS 5000/TS 3000
Standard, with lever

silver-coloured 068221
white RAL 9016 015695
black RAL 9005 076490
stainless steel optic¹ 014945
acc. to RAL² 000773

Guide rail BG lintel installation TS 3/5000 L
Guide rail with lever, used with door closer on door leaf installation opposite hinge side

silver-coloured 189148
acc. to RAL² 189149

T-Stop guide rail TS 5000/TS 3000
With integrated opening restrictor and lever

silver-coloured 102363
white RAL 9016 108481
stainless steel optic¹ 102364
acc. to RAL² 102365

Guide rail BG TS 5000/TS 3000 vertically adjustable
Height compensation +/- 2 mm, with lever, use with door closer on leaf installation opposite hinge side

silver-coloured 115193
acc. to RAL² 115194

Gleitschiene BG TS 5000/TS 3000 Standard
Mit Hebel, Einsatz bei Schließer auf Blattmontage Bandgegenseite

silver-coloured 025655
white RAL 9016 029404
black RAL 9005 198812
stainless steel optic¹ 028732
acc. to RAL² 025656

TS 5000 SOFTCLOSE – ORDER INFORMATION

Designation	Version	ID no.
INSTALLATION MATERIAL		
Drilling template door closer For TS 5000/TS 4000/TS 3000/TS 2000		053134
Glass clamping shoe door closer For TS 5000/TS 4000	silver-coloured	057126
	white RAL 9016	009491
	acc. to RAL ²	009494
Mounting plate guide rail For standard / Ecline / T-Stop / EFS guide rail	silver-coloured	001512
	white RAL 9016	129252
	acc. to RAL ²	104515
Mounting plate door closer For TS 5000/TS 4000 with hole pattern according to DIN EN 1154 Supplement 1	silver-coloured	049185
	white RAL 9016	068627
	black RAL 9005	076508
	stainless steel optic	137725
	galvanised	057956
	acc. to RAL ²	029176
Lintel casing bracket transom installation BG For TS 5000/TS 4000	silver-coloured	049240
	acc. to RAL ²	104451
ACCESSORIES		
Cover cap door closer For TS 5000/TS 5000 L/TS 4000, can only be used for door leaf installation	silver-coloured	067724
	white RAL 9016	067726
	stainless steel	072696
	brass	072698
	acc. to RAL ²	000756
Mechanical hold-open unit For standard / T-Stop / Boxer 20.7 mm guide rail, retention force adjustable, can be switched on and off, can be overridden		071924
Flexible opening restrictor for lightweight doors For riveted guide rail, standard guide rail BG & Boxer 20.7 mm guide rail		069780

1 Only for dry rooms | 2 Surcharge for RAL special colours, see General Notes in the price list.



TS 5000 E



Overhead door closer with guide rail for single leaf doors up to 1400 mm leaf width with electric hold-open device

AREAS OF APPLICATION

- Fire and smoke protection doors
- Right and left single-action doors
- Single-action doors up to 1400 mm leaf width
- Door leaf installation on hinge side
- Hold-open systems with integrated hold-open unit

PRODUCT FEATURES

- Adjustable closing force of EN2-6
- Operating voltage 24 V DC
- Can be used for right and left hand doors without conversion
- Electric hold-open device in the guide rail with hold-open area of 80°-130°
- Smoke switch control unit can be connected, with a signal that closes the door automatically in the event of a fire
- Hydraulic latching action which accelerates the door shortly before the closed position
- Closing speed can be individually adjusted
- Integrated back check, slows down doors that are thrown open forcefully
- Visual closing force display for easy control of the setting
- All functions can be adjusted from the front

TECHNICAL DATA FOR DOOR CLOSER

	TS 5000 door closer	TS 5000 L door closer	TS 5000 EClime door closer	TS 5000 L EClime door closer	TS 5000 SoftClose door closer
PRODUCT FEATURES					
Closing force acc. to EN 1154	2 – 6	2 – 6	3 – 5	3 – 5	2 – 6
Leaf width recommended up to	1400 mm	1400 mm	1200mm	1250 mm	1400 mm
Identical design DIN left and DIN right	●	●	●	●	●
Product tested in accordance with	Door closer tested acc. to EN 1154				
Suitability for fire protection doors	●	●	●	●	●
Mounting plate with hole pattern in accordance with EN1154 Supplement	●	●	●	●	●
Length	287 mm				
Overall depth	47 mm				
Height	60 mm				
FUNCTIONS					
Closing force adjustable	Yes, with variable adjustment				
Closing speed adjustable	●	●	●	●	●
Latching action speed adjustable					Yes, via valve*
Latching action adjustable	Yes, via valve				
Back check integrated	Yes, hydraulically adjustable				
Opening assistance integrated			●	●	
Opening assistance can be switched off			●	●	
Closing force adjustment position	Front				
Visual closing force display	●	●	●	●	●
Safety valve to prevent wilful damage	●	●	●	●	●
Thermo-constant valves	●	●	●	●	●

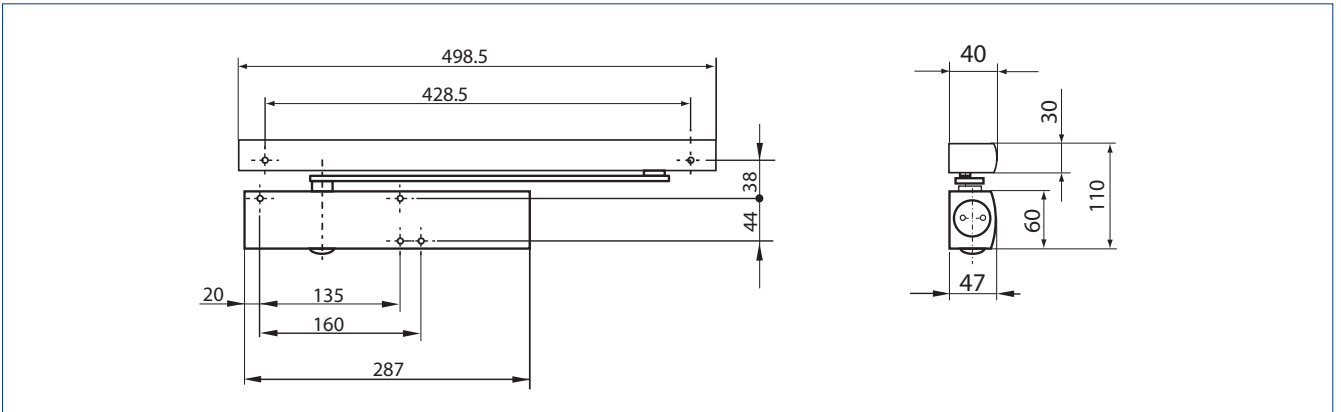
● = yes | ○ = optional | * = to decelerate or accelerate the door between 15° and 0°

TECHNICAL DATA FOR GUIDE RAIL

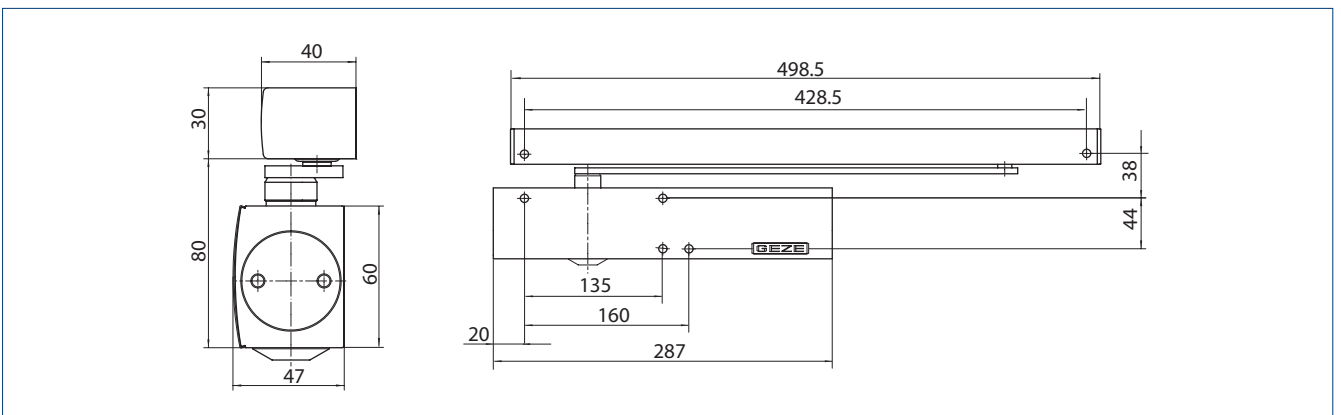
	E guide rail TS 5000	E guide rail BG TS 5000
PRODUCT FEATURES		
Supply voltage	24 V DC	
Electrical power consumption	2.4 W	
Duty rating	100 %	
Residual ripple	20 %	
IP rating	IP43	
Product tested in accordance with	Hold-open device tested acc. to EN 1155	
Length	498.5 mm	
Overall depth	40 mm	
Height	30 mm	
FUNCTIONS		
Hold-open unit integrated	Electrical	
Hold-open unit can be overridden	●	●
Hold-open angle	80 – 130°	above 80°
Height correction possible	●	●
Flexible opening restrictor	○	○

● = yes | ○ = optional

PRODUCT SCALE DRAWING



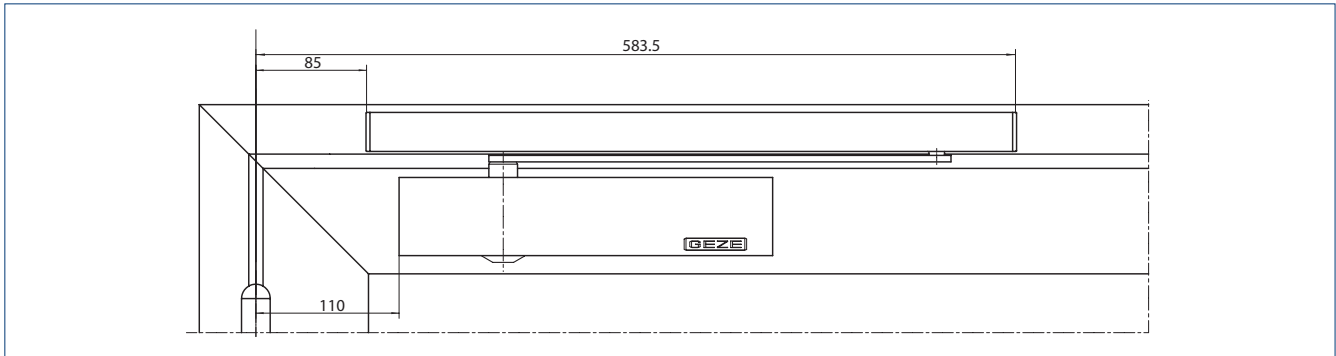
TS 5000 E



TS 5000 L-E

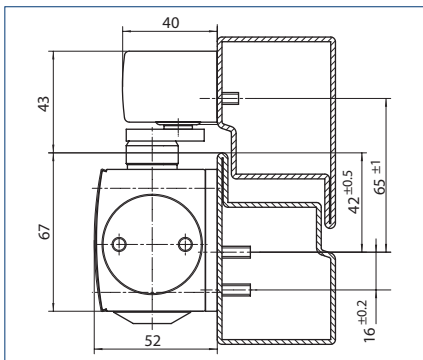
DOOR LEAF INSTALLATION/HINGE SIDE TS 5000 E

VIEW

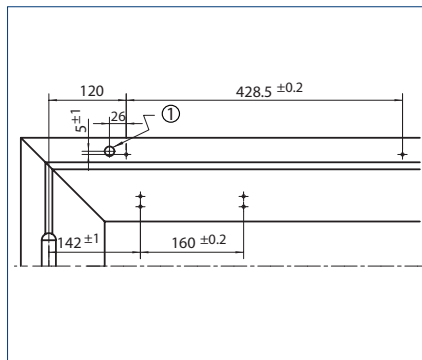


Installation example

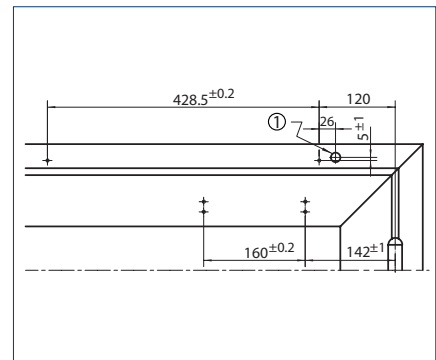
INSTALLATION WITH MOUNTING PLATE



Cross-section = installation with mounting plate

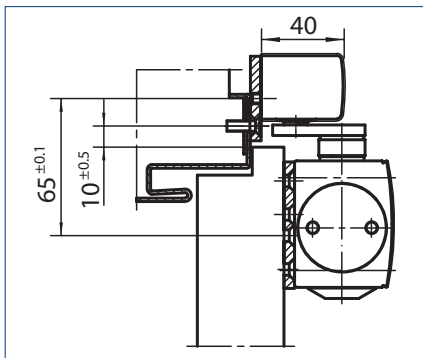


Fitting dimensions for left-hand door | 1 = ø 15 line-feed 24 V

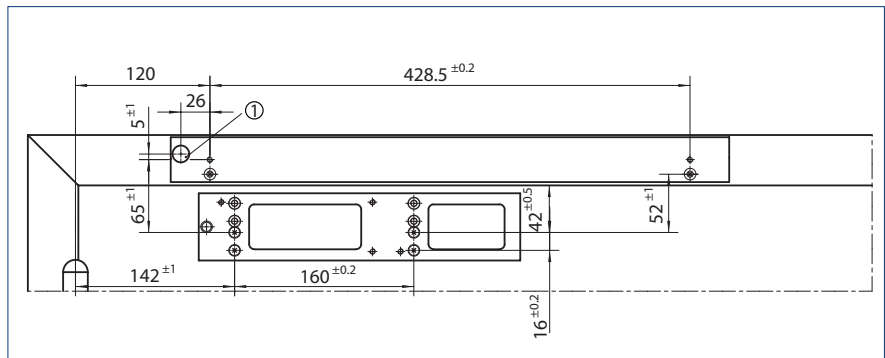


Fitting dimensions for right-hand door | 1 = ø 15 line-feed 24 V

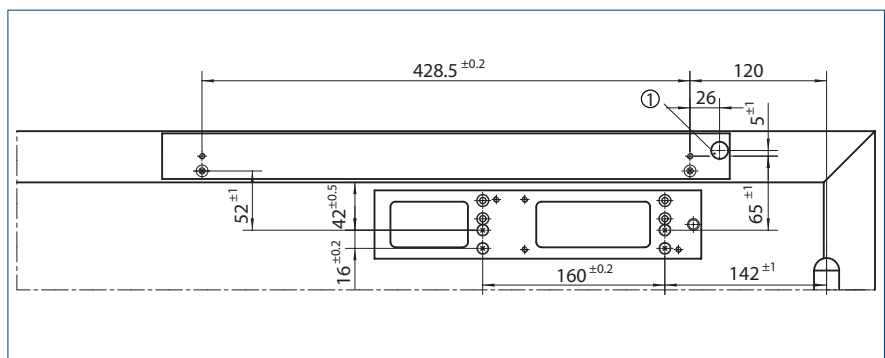
INSTALLATION ON SLIM FRAMES



Cross-section = installation with mounting plate



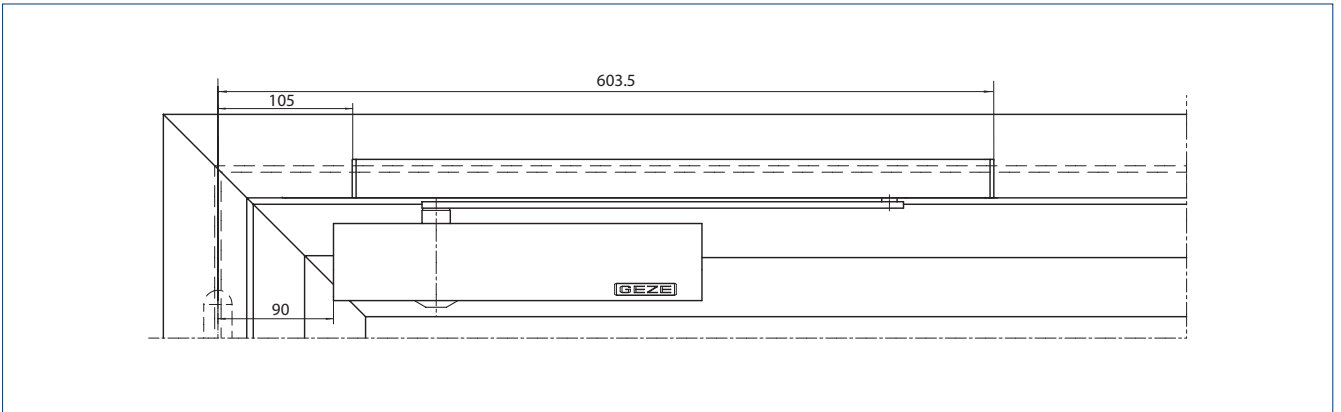
Fitting dimensions for left-hand door | 1 = ø 15 line-feed 24 V



Fitting dimensions for right-hand door | 1 = ø 15 line-feed 24 V

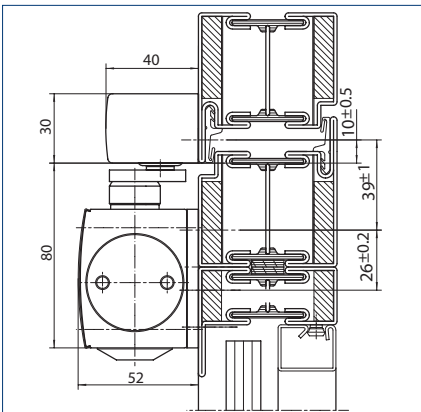
DOOR LEAF INSTALLATION/OPPOSITE HINGE SIDE TS 5000 L-E

VIEW

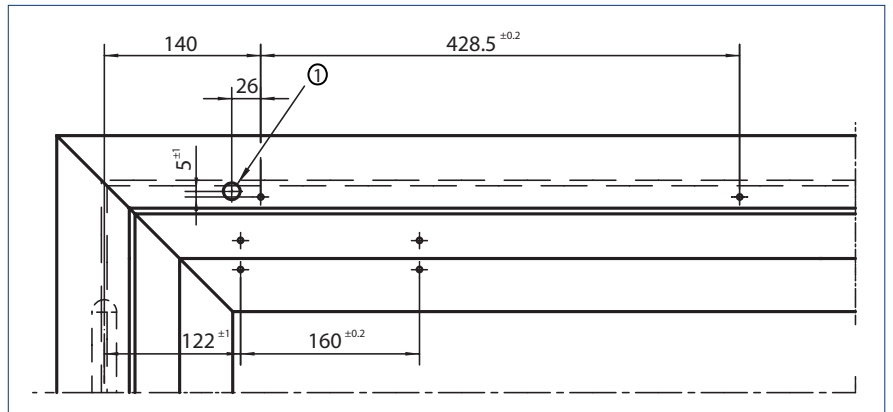


Installation example

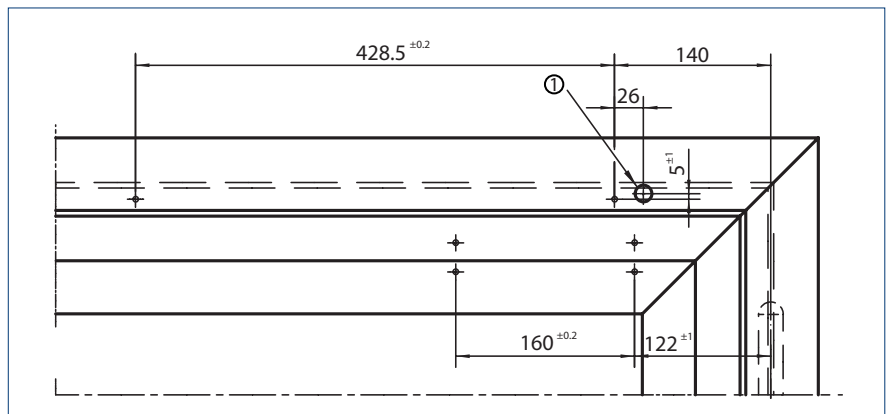
INSTALLATION WITH MOUNTING PLATE



Cross-section = installation with mounting plate

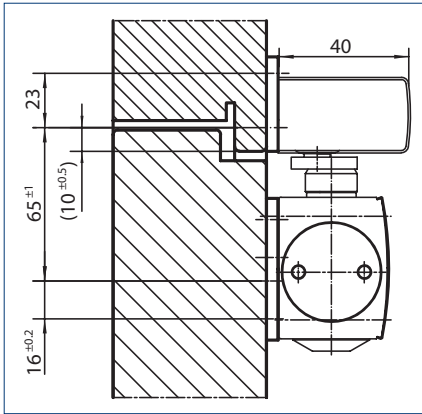


Fitting dimensions for right-hand door | 1 = ø 15 line-feed 24 V

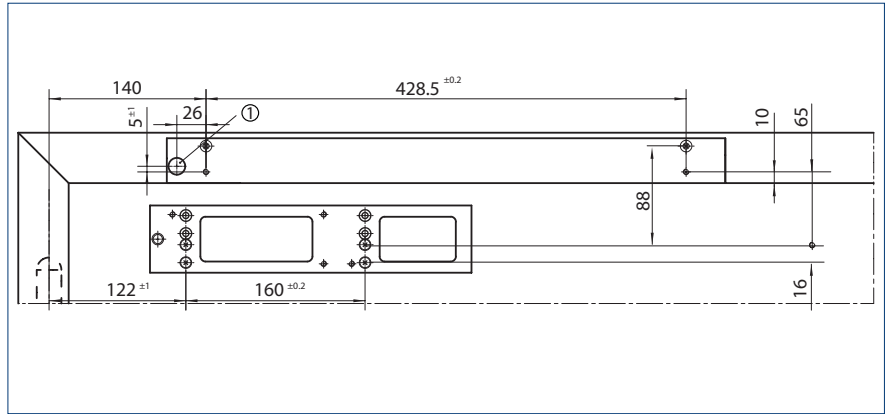


Fitting dimensions for left-hand door | 1 = ø 15 line-feed 24 V

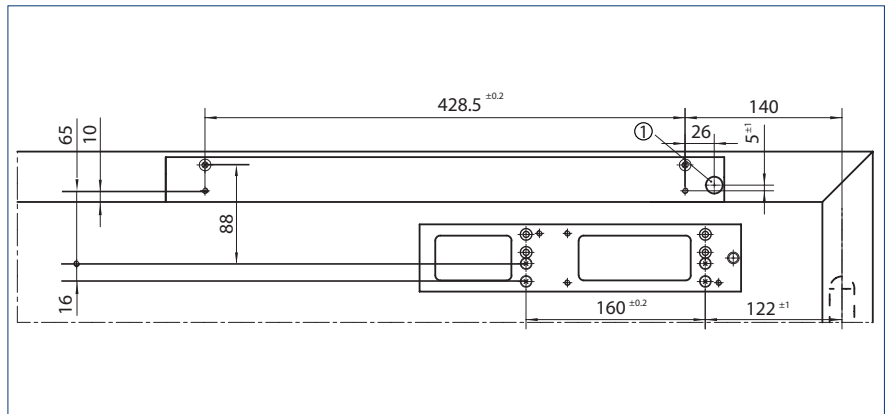
INSTALLATION ON SLIM FRAMES



Cross-section = installation with mounting plate



Fitting dimensions for right-hand door | 1 = ø 15 line-feed 24 V



Fitting dimensions for left-hand door | 1 = ø 15 line-feed 24 V

TS 5000 E – ORDER INFORMATION

Designation	Version	ID no.
TS 5000 ECLine door closer Closing force EN 3-5, with back check (without guide rail and lever)	silver-coloured	143640
	white RAL 9016	143641
	stainless steel face plate	143642
	acc. to RAL ²	143643
TS 5000 door closer Closing force EN 2-6, with back check (without guide rail and lever)	silver-coloured	027333
	white RAL 9016	027335
	stainless steel face plate	137721
	black RAL 9005	076489
acc. to RAL ²		027336
	silver-coloured	181792
	white RAL 9016	183430
	stainless steel face plate	183431
TS 5000 SoftClose door closer Closing force EN 2-6, with back check and integrated latching action speed with variable adjustment, for door deceleration (without guide rail and lever)	acc. to RAL ²	181793
	silver-coloured	116295
	white RAL 9016	116297
	stainless steel optic ¹	116298
E guide rail TS 5000 With electric hold-open device and lever	acc. to RAL ²	116299
	silver-coloured	027351
	white RAL 9016	029400
	stainless steel face plate	137723
TS 5000 L door closer Closing force EN 2-6, with back check (without guide rail and lever)	black RAL 9005	119579
	acc. to RAL ²	027352
	silver-coloured	143648
	white RAL 9016	143649
TS 5000 LECLine door closer Closing force EN 3-5, with back check (without guide rail and lever)	stainless steel face plate	143650
	acc. to RAL ²	143651
	silver-coloured	120039
	white RAL 9016	120040
E guide rail BG TS 5000 With electric hold-open device and lever	stainless steel optic ¹	120071
	acc. to RAL ²	120072
	INSTALLATION MATERIAL	
	Drilling template door closer For TS 5000/TS 4000/TS 3000/TS 2000	
Mounting plate guide rail For E guide rail	silver-coloured	123294
	acc. to RAL ²	123295
Mounting plate door closer For TS 5000/TS 4000 with hole pattern according to DIN EN 1154 Supplement 1	silver-coloured	049185
	white RAL 9016	068627
	galvanised	057956
	stainless steel optic ¹	137725
	black RAL 9005	076508
	acc. to RAL ²	029176
Mounting plate guide rail BG For E guide rail	silver-coloured	123289
	acc. to RAL ²	123290
Lintel casing bracket guide rail BG For E guide rail	silver-coloured	123322
	acc. to RAL ²	123323

TS 5000 E – ORDER INFORMATION

Designation	Version	ID no.
ACCESSORIES		
Cover cap door closer For TS 5000/TS 5000 L/TS 4000, can only be used for door leaf installation	silver-coloured	067724
	white RAL 9016	067726
	stainless steel	072696
	brass	072698
	acc. to RAL ²	000756
Flexible opening restrictor For single leaf guide rails: TS 5000 E/R/RFS (door leaf installation), Boxer E; double leaf: all E/R/ISM variants TS 5000 and Boxer		145311
RSZ 7 smoke switch control unit Smoke switch and power supply for all GEZE hold-open devices	silver-coloured	181025
	white RAL 9016	185195
	stainless steel optic ¹	184196
	acc. to RAL ²	185231
FA GC 170 wireless kit Set consisting of: 1 piece GC 171 wireless module for the wireless extension of GEZE hold-open systems		195524
GC 171 wireless module For wireless connection of wireless components (GC 172 wireless smoke detector; GC 173 wireless thermal detector; GC 175 wireless input module for GEZE hold-open systems	anthracite	163051
GC 172 wireless smoke detector for the wireless connection to GEZE hold-open systems, battery-operated with 8 years battery lifetime, with base, tested in accordance with EN 54-7 and EN 54-25, general construction technique permit for use with all GEZE hold-open systems	white RAL 9016	195522
GC 173 wireless thermal detector for the wireless connection to GEZE hold-open systems, battery-operated with 8 years battery lifetime, with base, tested in accordance with EN 54-7 and EN 54-25, general construction technique permit for use with all GEZE hold-open systems	white RAL 9016	195523
GC 175 wireless input module For wireless connection of manual trigger switches to the GEZE GC 171 wireless module, applicable for all GEZE hold-open systems	black	163068
GC 152 smoke detector Complete with base, 24 V DC, 20 mA, tested in accordance with EN54-7, with general official building approval for use with all GEZE hold-open systems, integrated line monitoring, conform with DIN EN 14637	white	139850
GC 153 wireless thermal detector Complete with base, 24 V DC, 20 mA, tested in accordance with EN54-5, with general official building approval for use with all GEZE hold-open systems, integrated line monitoring, conform with DIN EN 14637	white	139881
AS 500 manual trigger switch For the manual release of electrically controlled hold-open devices including terminating resistor for line monitoring	alpine white/red	116266
AS 500 manual trigger switch (with glass pane and 5 interchangeable labels) for the manual release of electrically controlled hold-open devices	alpine white/red	120880
Surface-mounted box, single Matching the AS 500 switch programme	white	120503
Replacement glass pane For manual trigger switch 120880 and 120881		010994

¹ Only for dry rooms | ² Surcharge for RAL special colours, see General Notes in the Price List.

TS 5000 R



Overhead door closer with guide rail for single leaf doors up to 1400 mm leaf width with electric hold-open device and smoke switch

AREAS OF APPLICATION

- Fire and smoke protection doors
- Right and left single-action doors
- Single-action doors up to 1400 mm leaf width
- Door leaf installation on hinge side
- Hold-open systems with integrated hold-open unit
- Hold-open systems with integrated smoke switch

PRODUCT FEATURES

- Adjustable closing force of EN2-6
- Operating voltage 230 V AC
- Can be used for right and left hand doors without conversion
- Electric hold-open device in the guide rail with hold-open area of 80°-130°
- Integrated smoke switch control unit, with a signal that closes the door automatically in the event of a fire
- Smoke switch with contamination indicator and adaption of the alarm threshold
- Additional smoke detectors can be fitted
- Hydraulic latching action which accelerates the door shortly before the closed position
- Closing speed can be individually adjusted
- Integrated back check, slows down doors that are thrown open forcefully
- Visual closing force display for easy control of the setting
- All functions can be adjusted from the front

TECHNICAL DATA FOR DOOR CLOSER

	TS 5000 door closer	TS 5000 L door closer	TS 5000 ECline door closer	TS 5000 L ECline door closer	TS 5000 SoftClose door closer
PRODUCT FEATURES					
Closing force acc. to EN 1154	2 – 6	2 – 6	3 – 5	3 – 5	2 – 6
Leaf width recommended up to	1400 mm	1400 mm	1200mm	1250 mm	1400 mm
Identical design DIN left and DIN right	●	●	●	●	●
Product tested in accordance with	Door closer tested acc. to EN 1154				
Suitability for fire protection doors	●	●	●	●	●
Mounting plate with hole pattern in accordance with EN1154 Supplement	●	●	●	●	●
Length	287 mm				
Overall depth	47 mm				
Height	60 mm				

FUNCTIONS

Closing force adjustable	Yes, with variable adjustment				
Closing speed adjustable	●	●	●	●	●
Latching action speed adjustable					Yes, via valve*
Latching action adjustable	Yes, via valve				
Back check integrated	Yes, hydraulically adjustable				
Opening assistance integrated			●	●	
Opening assistance can be switched off			●	●	
Closing force adjustment position	Front				
Visual closing force display	●	●	●	●	●
Safety valve to prevent wilful damage	●	●	●	●	●
Thermo-constant valves	●	●	●	●	●

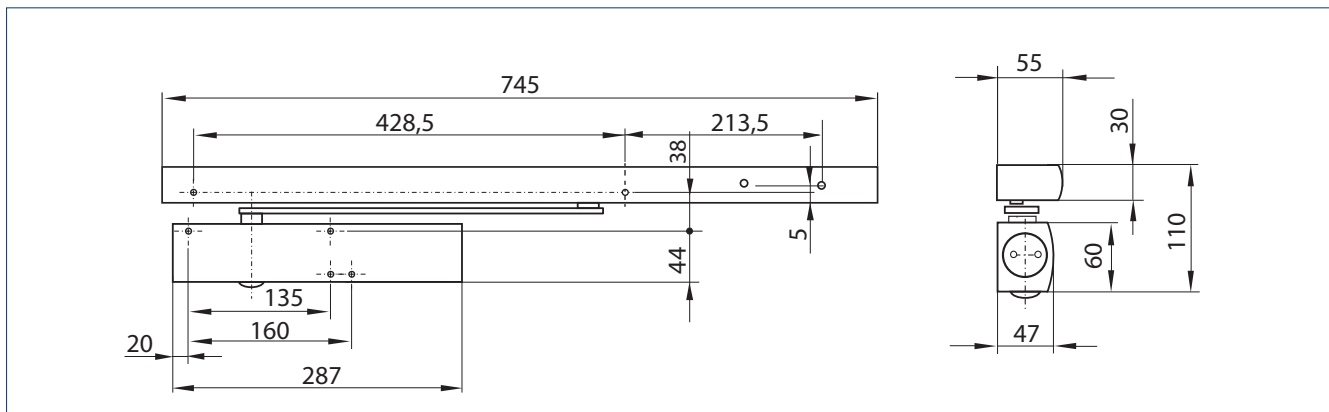
● = yes | ○ = optional | * = to decelerate or accelerate the door between 15° and 0°

TECHNICAL DATA FOR GUIDE RAIL

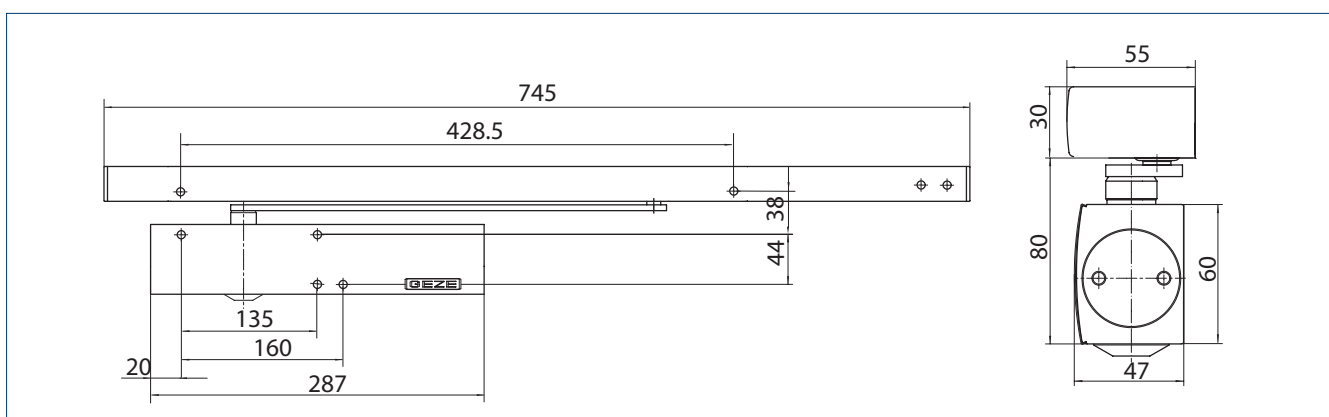
	R guide rail TS 5000	R guide rail BG TS 5000
PRODUCT FEATURES		
Supply voltage	230 V 50 Hz	
Duty rating	100%	
IP rating	IP20	
Product tested in accordance with	Hold-open device tested acc. to EN 1155 General official building approval from DIBt as a hold-open system	
Length	745 mm	
Overall depth	55 mm	
Height	30 mm	
FUNCTIONS		
Hold-open unit integrated	Electrical	
Hold-open unit can be overridden	●	●
Hold-open angle	80 – 130°	above 80°
Integrated smoke switch	●	●
with visual operating state display	●	●
with contamination indicator	●	●
with adaption of the alarm threshold	●	●
Power supply integrated	●	●
Height correction possible	●	●
Flexible opening restrictor	○	○

● = yes | ○ = optional

PRODUCT SCALE DRAWING



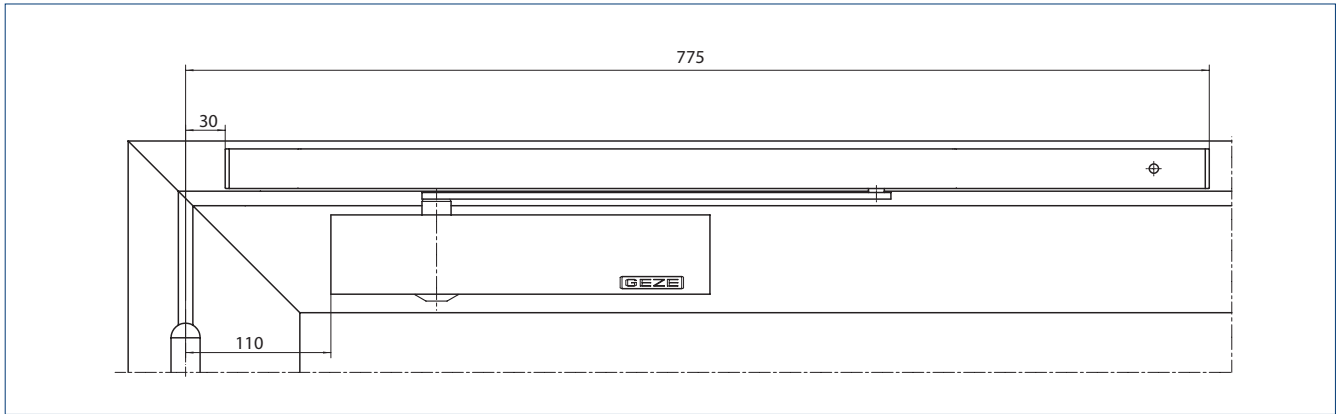
TS 5000 R



TS 5000 L-R

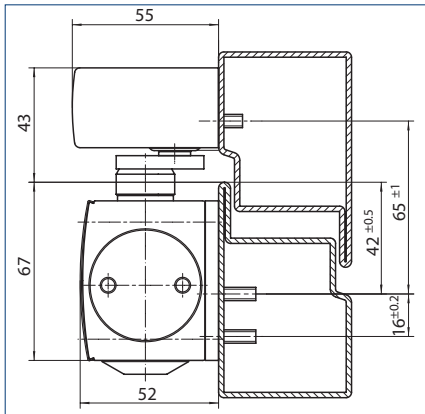
DOOR LEAF INSTALLATION/HINGE SIDE TS 5000 R

VIEW

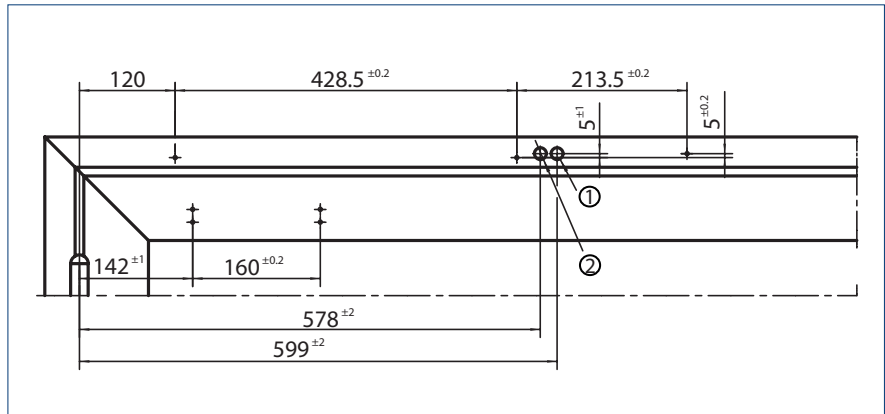


Installation example

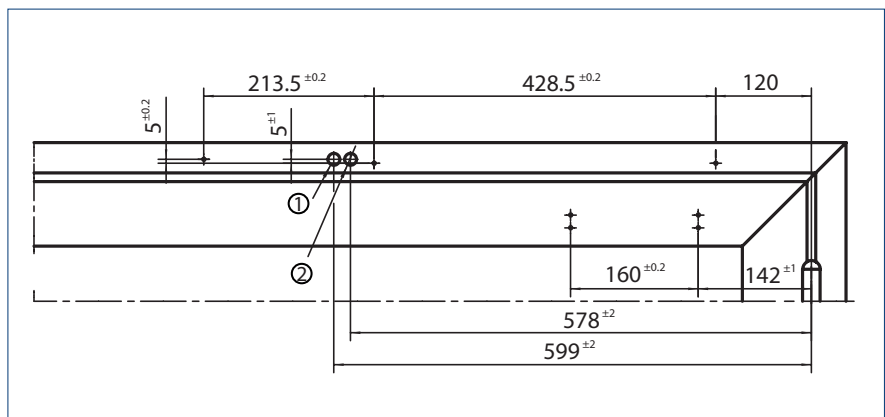
INSTALLATION WITH MOUNTING PLATE



Cross-section = installation with mounting plate (distance R guide rail to the ceiling min. 10 mm)

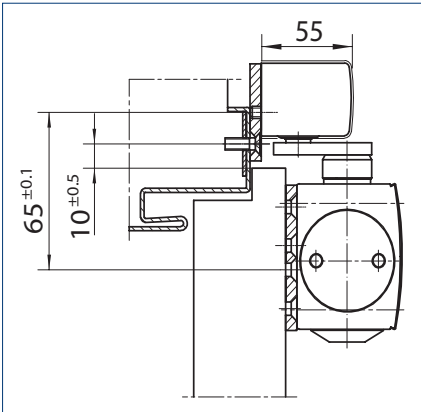


Fitting dimensions for left-hand door | 1 = ø 15 additional cable | 2 = ø 15 230 V AC

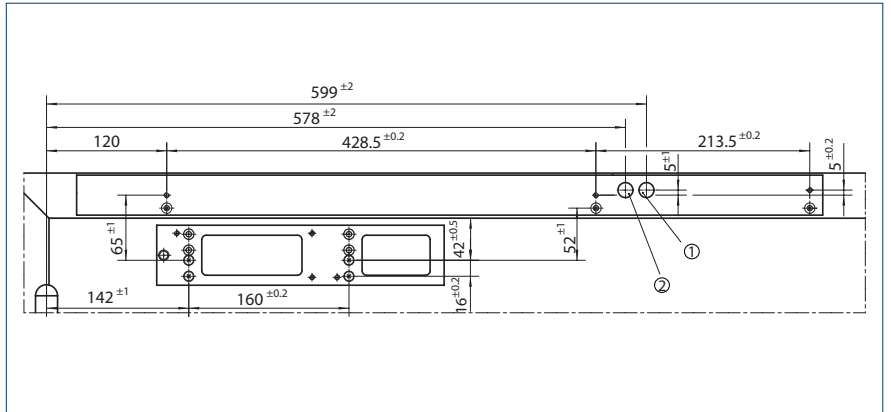


Fitting dimensions for right-hand door | 1 = ø 15 additional cable | 2 = ø 15 230 V AC

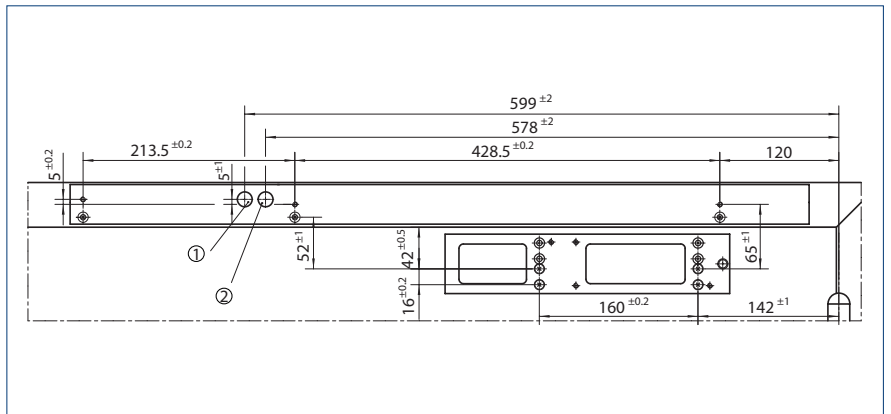
INSTALLATION ON SLIM FRAMES



Cross-section = installation with mounting plate



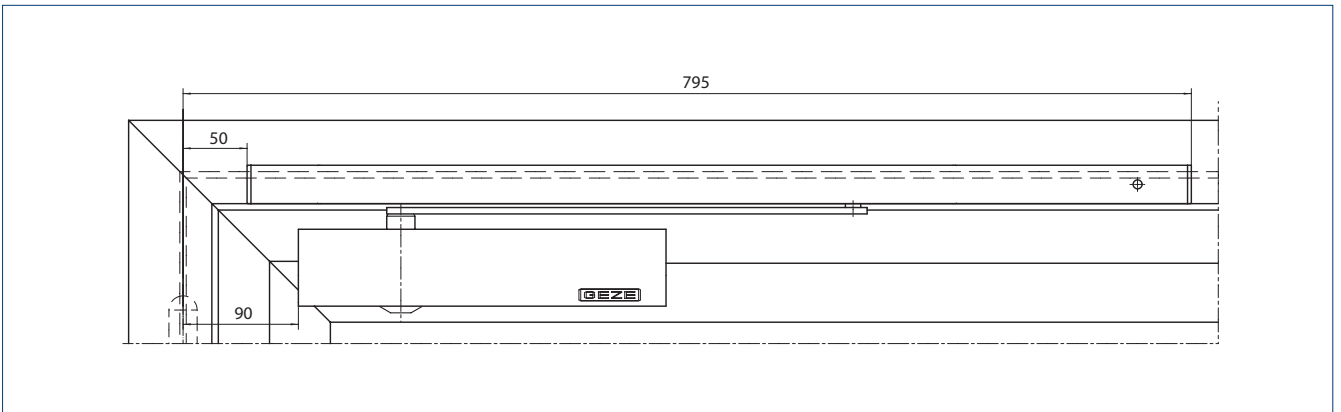
Fitting dimensions for left-hand door | 1 = ø 15 additional cable | 2 = ø 15 230 V AC



Fitting dimensions for right-hand door | 1 = ø 15 additional cable | 2 = ø 15 230 V AC

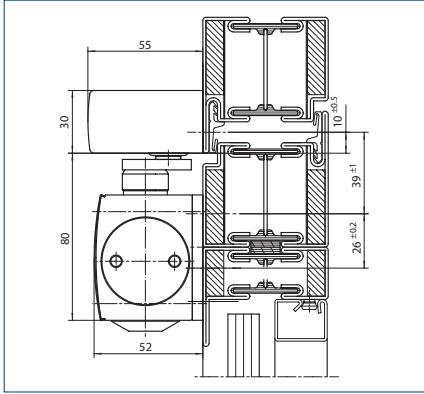
DOOR LEAF INSTALLATION/OPPOSITE HINGE SIDE TS 5000 L-R

VIEW

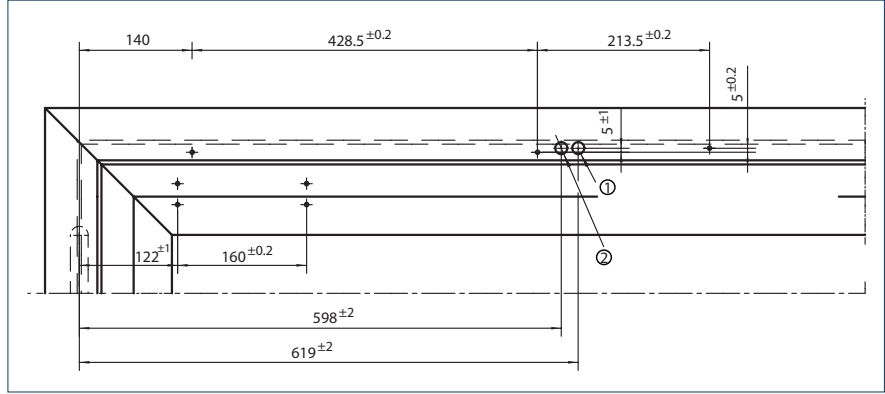


Installation example

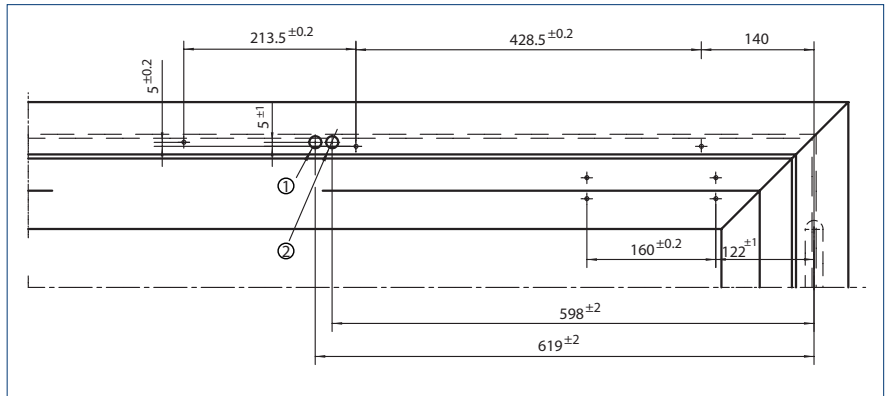
INSTALLATION WITH MOUNTING PLATE



Cross-section = installation with mounting plate

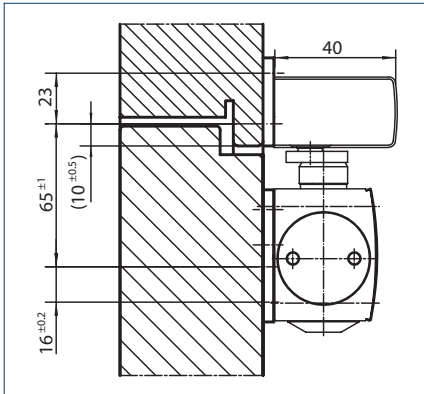


Fitting dimensions for right-hand door | 1 = ø 15 additional cable | 2 = ø 15 230 V AC

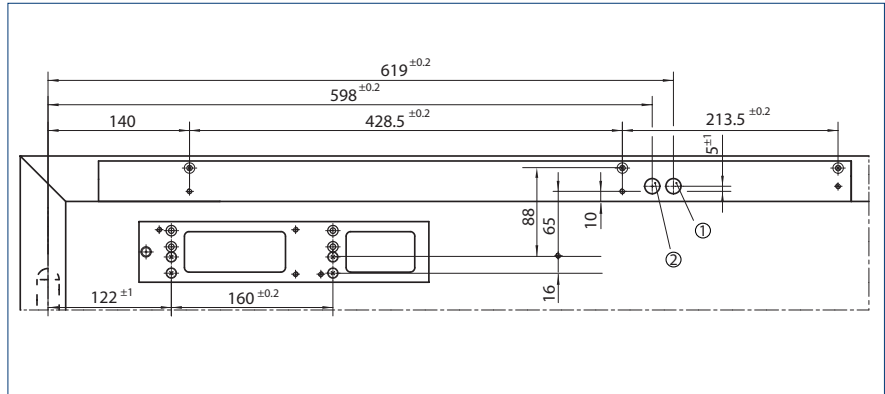


Fitting dimensions for left-hand door | 1 = ø 15 additional cable | 2 = ø 15 230 V AC

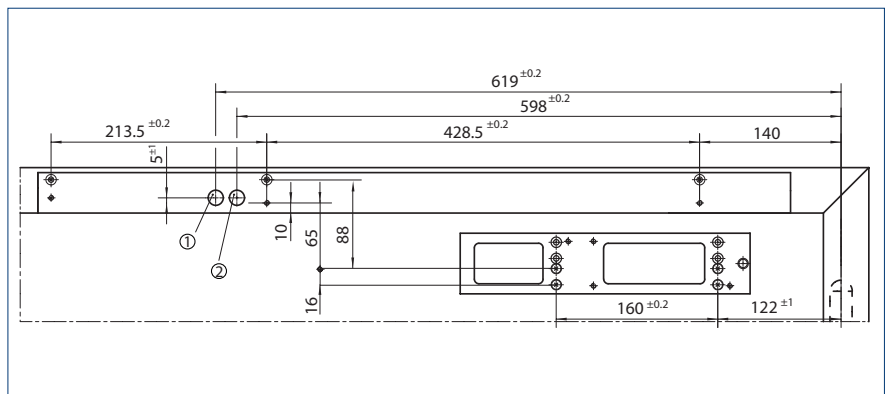
INSTALLATION ON SLIM FRAMES



Cross-section = installation with mounting plate



Fitting dimensions for right-hand door | 1 = ø 15 additional cable | 2 = ø 15 230 V AC



Fitting dimensions for left-hand door | 1 = ø 15 additional cable | 2 = ø 15 230 V AC

TS 5000 E – ORDER INFORMATION

Designation	Version	ID no.
TS 5000 ECLine door closer Closing force EN 3-5, with back check (without guide rail and lever)	silver-coloured	143640
	white RAL 9016	143641
	stainless steel face plate	143642
	acc. to RAL ²	143643
TS 5000 door closer Closing force EN 2-6, with back check (without guide rail and lever)	silver-coloured	027333
	white RAL 9016	027335
	stainless steel face plate	137721
	black RAL 9005	076489
acc. to RAL ²	027336	
TS 5000 SoftClose door closer Closing force EN 2-6, with back check and integrated latching action speed with variable adjustment, for door deceleration (without guide rail and lever)	silver-coloured	181792
	white RAL 9016	183430
	stainless steel face plate	183431
	acc. to RAL ²	181793
R guide rail TS 5000 With electric hold-open device, integrated smoke switch control unit and lever	silver-coloured	116300
	white RAL 9016	116302
	stainless steel optic ¹	116303
	acc. to RAL ²	116304
TS 5000 L door closer Closing force EN 2-6, with back check (without guide rail and lever)	silver-coloured	027351
	white RAL 9016	029400
	stainless steel face plate	137723
	black RAL 9005	119579
acc. to RAL ²	027352	
TS 5000 LECLine door closer Closing force EN 3-5, with back check (without guide rail and lever)	silver-coloured	143648
	white RAL 9016	143649
	stainless steel face plate	143650
	acc. to RAL ²	143651
R guide rail BG TS 5000 With electric hold-open device, integrated smoke switch control unit and lever	silver-coloured	120073
	white RAL 9016	120074
	stainless steel optic ¹	120075
	acc. to RAL ²	120076
INSTALLATION MATERIAL		
Mounting plate guide rail for R / RFS guide rail	silver-coloured	123296
	acc. to RAL ²	123297
Mounting plate door closer For TS 5000/TS 4000 with hole pattern according to DIN EN 1154 Supplement 1	silver-coloured	049185
	white RAL 9016	068627
	galvanised	057956
	stainless steel optic ¹	137725
	black RAL 9005	076508
acc. to RAL ²	029176	
Mounting plate guide rail BG For R guide rails	silver-coloured	123311
	acc. to RAL ²	123312
Lintel casing bracket guide rail BG For R guide rails	silver-coloured	123324
	acc. to RAL ²	123325

TS 5000 E – ORDER INFORMATION

Designation	Version	ID no.
ACCESSORIES		
FA GC 170 wireless kit Set consisting of: 1 piece GC 171 wireless module for the wireless extension of GEZE hold-open systems		195524
GC 171 wireless module For wireless connection of wireless components (GC 172 wireless smoke detector; GC 173 wireless thermal detector; GC 175 wireless input module for GEZE hold-open systems)	anthracite	163051
GC 172 wireless smoke detector for the wireless connection to GEZE hold-open systems, battery-operated with 8 years battery lifetime, with base, tested in accordance with EN 54-7 and EN 54-25, general construction technique permit for use with all GEZE hold-open systems	white RAL 9016	195522
GC 173 wireless thermal detector for the wireless connection to GEZE hold-open systems, battery-operated with 8 years battery lifetime, with base, tested in accordance with EN 54-7 and EN 54-25, general construction technique permit for use with all GEZE hold-open systems	white RAL 9016	195523
GC 175 wireless input module For wireless connection of manual trigger switches to the GEZE GC 171 wireless module, applicable for all GEZE hold-open systems	black	163068
Cover cap door closer For TS 5000/TS 5000 L/TS 4000, can only be used for door leaf installation	silver-coloured	067724
	white RAL 9016	067726
	stainless steel	072696
	brass	072698
	acc. to RAL ²	000756
Flexible opening restrictor For guide rail 1-leaf: TS 5000 E/R/RFS (door leaf installation), Boxer E; double leaf: all E/R/ISM variants TS 5000 and Boxer		145311
GC 152 smoke detector Complete with base, 24 V DC, 20 mA, tested in accordance with EN54-7, with general official building approval for use with all GEZE hold-open systems, integrated line monitoring, conform with DIN EN 14637	white	139850
GC 153 wireless thermal detector Complete with base, 24 V DC, 20 mA, tested in accordance with EN54-5, with general official building approval for use with all GEZE hold-open systems, integrated line monitoring, conform with DIN EN 14637	white	139881
AS 500 manual trigger switch for the manual release of electrically controlled hold-open devices including terminating resistor for line monitoring	alpine white/red	116266
AS 500 manual trigger switch (with glass pane and 5 interchangeable labels) for the manual release of electrically controlled hold-open devices	alpine white/red	120880
Surface-mounted box, single Matching the AS 500 switch programme	white	120503
Replacement glass pane For 120880 and 120881 manual trigger switch		010994

1 Only for dry rooms | 2 Surcharge for RAL special colours, see General Notes in the Price List.



TS 5000 R door closer, installed at the arts college in Alfiter, near Bonn, Germany (photo: Lothar Wels / GEZE GmbH)



TS 5000 R door closer, at the arts college in Alfiter, near Bonn, Germany (photo: Lothar Wels / GEZE GmbH)



SWING DOOR

For single leaf doors with free swing function

To open and close single leaf doors without effort, an overhead door closer with guide rail and free swing function is the right choice for you. GEZE doors with free swing door closers offer another advantage with the unique comfort hold-open function: it makes it possible for doors to be easily locked at the end of the free swing area and held open permanently. This means that your door will remain open, even in a draught, and will close independently, e.g. in the event of a fire.



TS 5000 EFS 3-6



Overhead door closer with guide rail for single leaf doors up to 1400 mm leaf width with electric free swing function

AREAS OF APPLICATION

- Fire and smoke protection doors
- Right and left single-action doors
- Single-action doors up to 1400 mm leaf width
- Door leaf installation hinge side and transom installation hinge side (different variants)
- Hold-open systems with integrated hold-open unit with free swing
- Barrier-free access in accordance with DIN 18040

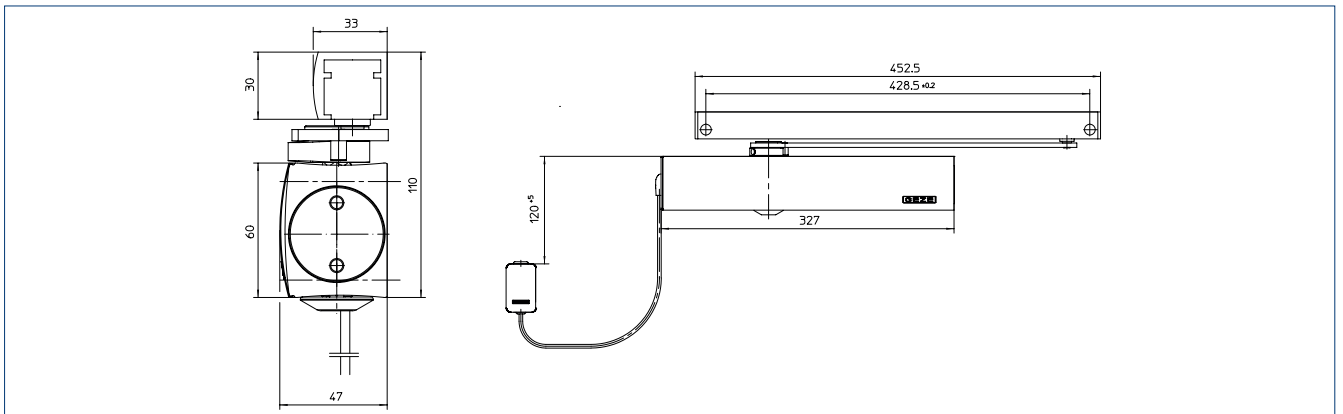
PRODUCT FEATURES

- Adjustable closing force of EN3-6
- Operating voltage 24 V DC
- Can be used for right and left hand doors without conversion
- Free swing function means comfortable use of the door with little effort
- Comfort hold-open function locks the door leaf at the end of the free swing area
- External smoke switch control unit with a signal which closes the door automatically in the event of a fire
- Hydraulic latching action which accelerates the door shortly before the closed position
- Closing speed can be individually adjusted
- Visual closing force display for easy control of the setting
- All functions can be adjusted from the front

TECHNICAL DATA FOR DOOR CLOSER

	TS 5000 EFS complete package leaf installation	TS 5000 EFS complete package transom installation
PRODUCT FEATURES		
Closing force acc. to EN 1154	3 – 6	
Leaf width recommended up to	1400 mm	
Identical design DIN left and DIN right	●	●
Supply voltage	24 V DC	
Product tested in accordance with	Door closer tested acc. to EN 1154 Hold-open device tested acc. to EN 1155	
Suitability for fire protection doors	●	●
Mounting plate with hole pattern in accordance with EN1154 Supplement	●	●
Length	327 mm	
Overall depth	47 mm	
Height	60 mm	
FUNCTIONS		
Free swing function	●	●
Free swing area	85 – 170°	
Closing force adjustable	Yes, with variable adjustment	
Closing speed adjustable	●	●
Latching action adjustable	Yes, via valve	
Back check integrated	No	
Closing force adjustment position	Front	
Visual closing force display	●	●
Safety valve to prevent wilful damage	●	●
Thermo-constant valves	●	●

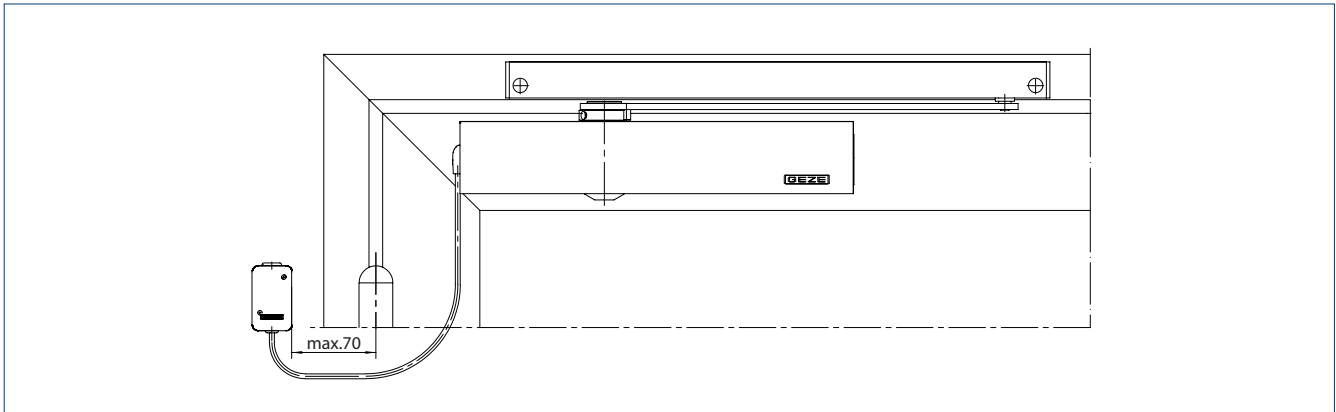
● = yes | ○ = optional

PRODUCT SCALE DRAWING


TS 5000 EFS 3-6

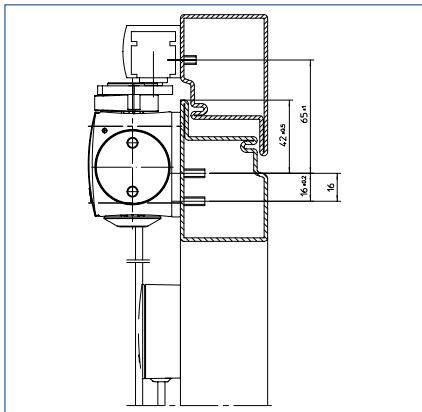
DOOR LEAF INSTALLATION/HINGE SIDE TS 5000 EFS

VIEW

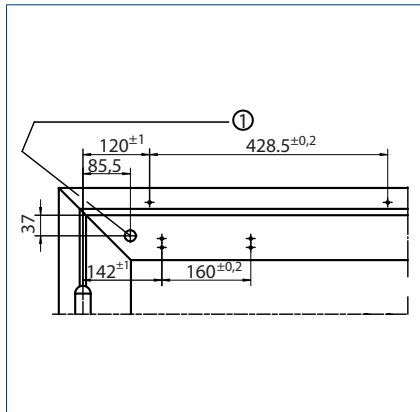


Installation example

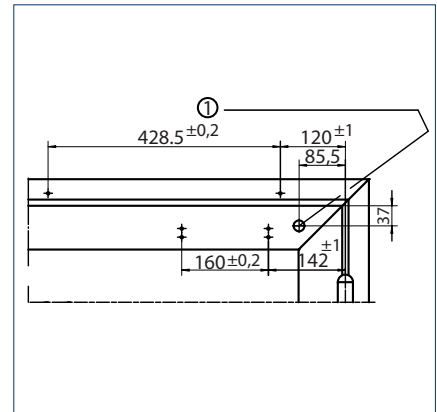
INSTALLATION WITH MOUNTING PLATE



Cross-section = installation with mounting plate



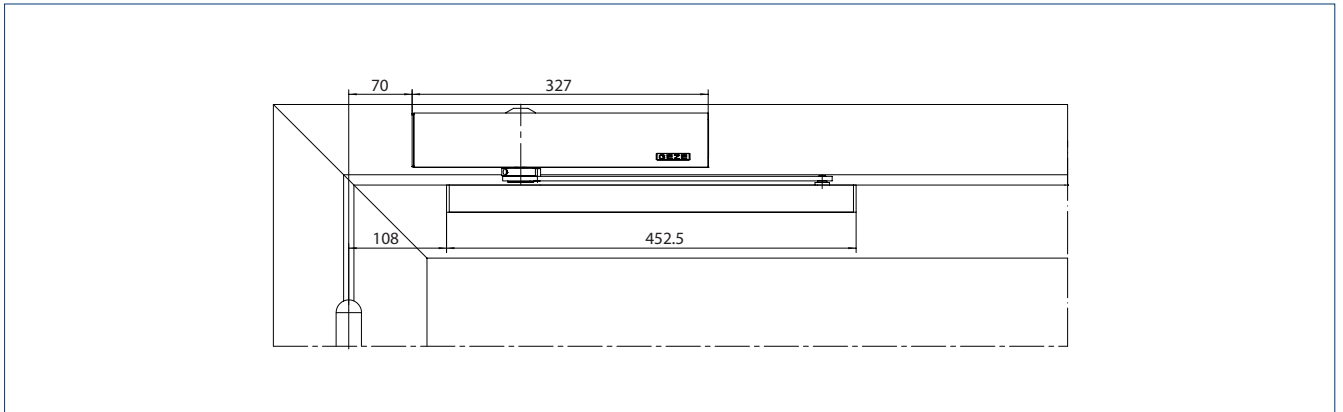
Fitting dimensions for left-hand door | 1 = with concealed line-feed 24 V (ø 15)



Fitting dimensions for right-hand door | 1 = with concealed line-feed 24 V (ø 15)

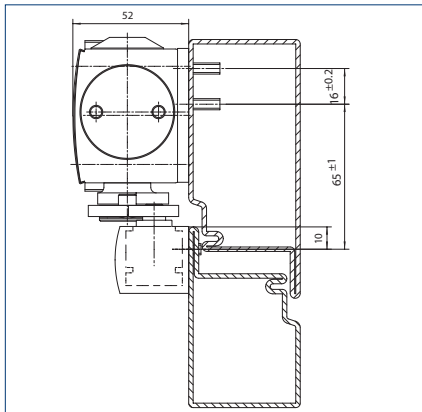
TRANSOM INSTALLATION/HINGE SIDE TS 5000 EFS

VIEW

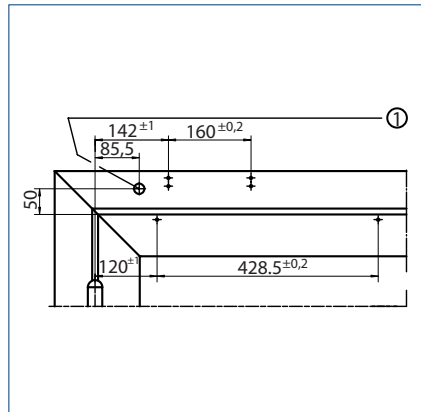


Installation example

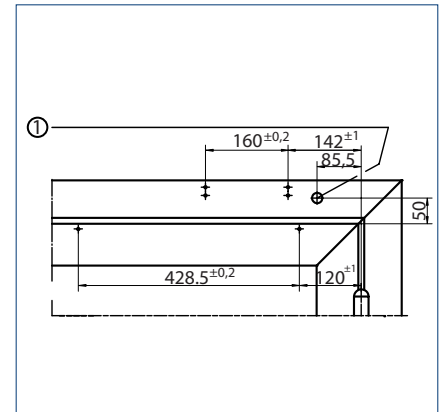
INSTALLATION WITH MOUNTING PLATE



Cross-section = installation with mounting plate



Fitting dimensions for left-hand door | 1 = line-feed 24 V (ø 15)



Fitting dimensions for right-hand door | 1 = line-feed 24 V (ø 15)

TS 5000 EFS – ORDER INFORMATION

Designation	Version	ID no.
TS 5000 EFS complete package leaf installation Closing force EN 3-6, door leaf installation on the hinge side, with electric free swing function, with guide rail and lever with comfort hold-open function	silver-coloured	155477
	white RAL 9016	162083
	stainless steel optic ¹	162084
	acc. to RAL ²	155478
TS 5000 EFS complete package transom installation Closing force EN 3-6, transom installation on the hinge side, with electric free swing function, with guide rail and lever with comfort hold-open function	silver-coloured	155479
	stainless steel optic ¹	162085
	acc. to RAL ²	155480
INSTALLATION MATERIAL		
Mounting plate guide rail For standard / Ecline / T-Stop / EFS guide rail	silver-coloured	001512
	white RAL 9016	129252
	acc. to RAL ²	104515
Mounting plate door closer For TS 5000 EFS / RFS / E Hy / TS 4000 E with hole pattern according to DIN EN 1154 Supplement 1	silver-coloured	059107
	acc. to RAL ²	100044
ACCESSORIES		
RSZ 7 smoke switch control unit Smoke switch and power supply for all GEZE hold-open devices	silver-coloured	181025
	white RAL 9016	185195
	stainless steel optic ¹	184196
	acc. to RAL ²	185231
FA GC 170 wireless kit Set consisting of: 1 piece GC 171 wireless module for the wireless extension of GEZE hold-open system		195524
GC 171 wireless module For the wireless connection of wireless components (GC 172 wireless smoke detector; GC 173 wireless thermal detector; GC 175 wireless input module) on GEZE hold-open systems	anthracite	163051
GC 172 wireless smoke detector for the wireless connection to GEZE hold-open systems, battery-operated with 8 years battery lifetime, with base, tested in accordance with EN 54-7 and EN 54-25, general construction technique permit for use with all GEZE hold-open systems	white RAL 9016	195522
GC 173 wireless thermal detector for the wireless connection to GEZE hold-open systems, battery-operated with 8 years battery lifetime, with base, tested in accordance with EN 54-7 and EN 54-25, general construction technique permit for use with all GEZE hold-open systems	white RAL 9016	195523
GC 175 wireless input module For wireless connection of manual trigger switches to the GEZE GC 171 wireless module, applicable for all GEZE hold-open systems	black	163068
GC 152 smoke detector Complete with base, 24 V DC, 20 mA, tested in accordance with EN54-7, with general official building approval for use with all GEZE hold-open systems, integrated line monitoring, conform with DIN EN 14637	white	139850
GC 153 wireless thermal detector Complete with base, 24 V DC, 20 mA, tested in accordance with EN54-5, with general official building approval for use with all GEZE hold-open systems, integrated line monitoring, conform with DIN EN 14637	white	139881
AS 500 manual trigger switch For the manual release of electrically controlled hold-open devices including terminating resistor for line monitoring	alpine white/red	116266
AS 500 manual trigger switch (with glass pane and 5 interchangeable labels) for the manual release of electrically controlled hold-open devices	alpine white/red	120880
Surface-mounted box, single Matching the AS 500 switch programme	white	120503
Replacement glass pane for manual trigger switch 120880 and 120881		010994

¹ Only for dry rooms | ² Surcharge for RAL special colours, see General Notes in the Price List.

TS 5000 RFS 3-6



Overhead door closer with guide rail for single leaf doors up to 1400 mm leaf width with electric free swing function and smoke switch control unit

AREAS OF APPLICATION

- Fire and smoke protection doors
- Right and left single-action doors
- Single-action doors up to 1400 mm leaf width
- Door leaf installation on hinge side
- Hold-open systems with integrated hold-open unit with free swing
- Barrier-free access in accordance with DIN 18040

PRODUCT FEATURES

- Adjustable closing force of EN3-6
- Operating voltage 230 V AC
- Can be used for right and left hand doors without conversion
- Free swing function after opening the door to approx. 90°
- Comfort hold-open function locks the door leaf at the end of the free swing area
- Integrated smoke switch control unit, with a signal that closes the door automatically in the event of a fire
- Smoke switch with contamination indicator and adaption of the alarm threshold
- Additional smoke detectors can be fitted
- Hydraulic latching action which accelerates the door shortly before the closed position
- Closing speed can be individually adjusted
- Visual closing force display for easy control of the setting
- All functions can be adjusted from the front

TECHNICAL DATA FOR DOOR CLOSER

	TS 5000 RFS 3-6 complete package door leaf installation	TS 5000 RFS 3-6 complete package transom installation
--	--	--

PRODUCT FEATURES

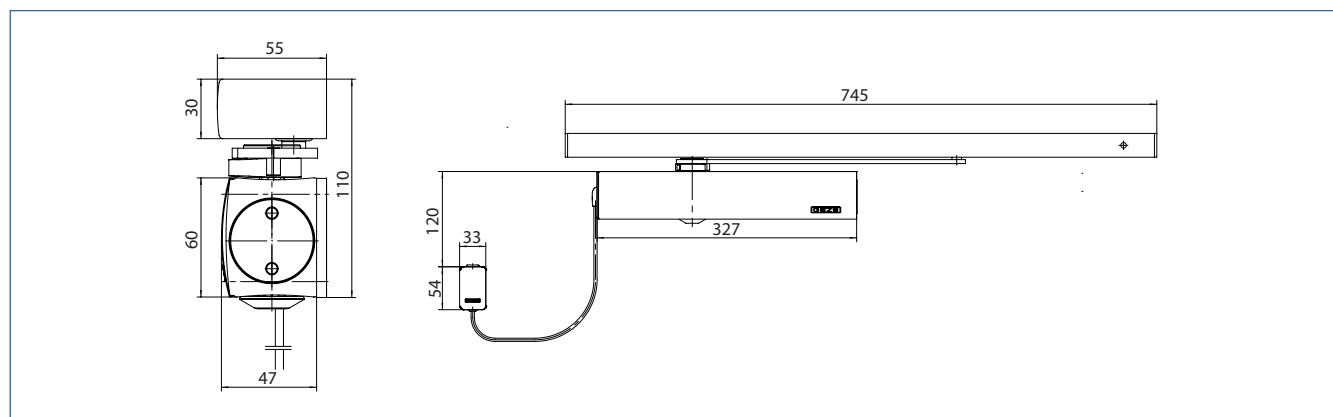
Closing force acc. to EN 1154	3 – 6	
Leaf width recommended up to	1400 mm	
Identical design DIN left and DIN right	●	●
Supply voltage	230 V 50 Hz	
Product tested in accordance with	Door closer tested acc. to EN 1154 Hold-open device tested acc. to EN 1155 General official building approval from DIBt as a hold-open system	
Suitability for fire protection doors	●	●
Mounting plate with hole pattern in accordance with EN1154 Supplement	●	●
Length	327 mm	548 mm
Overall depth	47 mm	66 mm
Height	60 mm	65 mm

FUNCTIONS

Free swing function	●	●
Free swing area	85 – 170°	
Closing force adjustable	Yes, with variable adjustment	
Closing speed adjustable	●	●
Latching action adjustable	Yes, via valve	
Back check integrated	No	
Closing force adjustment position	Front	
Visual closing force display	●	●
Safety valve to prevent wilful damage	●	●
Thermo-constant valves	●	●
Integrated smoke switch	●	●
with visual operating state display	●	●
with contamination indicator	●	●
with adaption of the alarm threshold	●	●
Power supply integrated	●	●
Flexible opening restrictor	○	

● = yes | ○ = optional

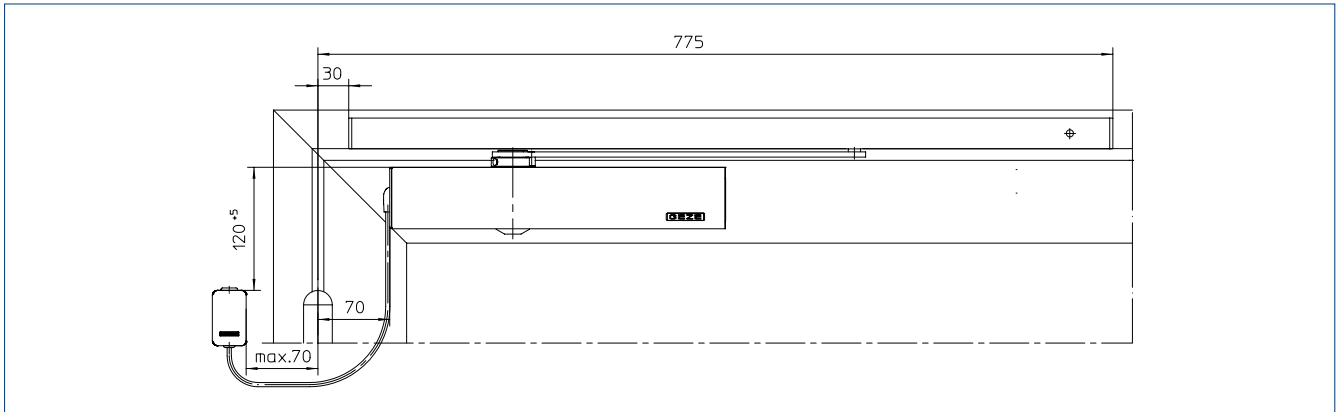
PRODUCT SCALE DRAWING



TS 5000 RFS 3-6

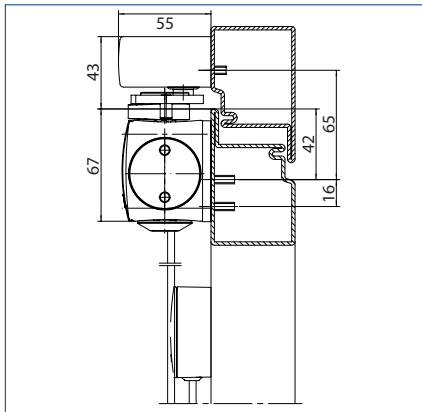
DOOR LEAF INSTALLATION/HINGE SIDE TS 5000 RFS 3-6

VIEW

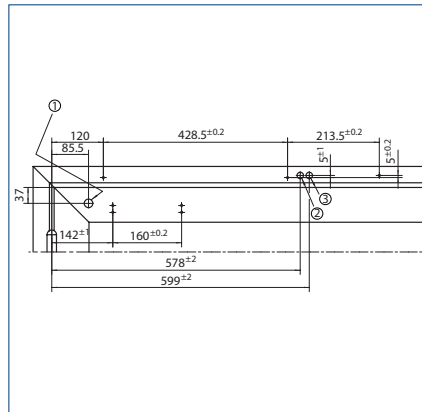


Installation example

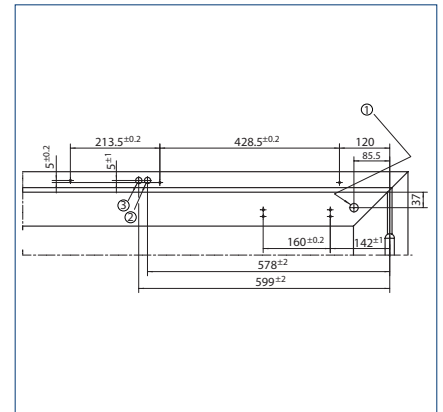
INSTALLATION WITH MOUNTING PLATE



Cross-section = installation with mounting plate



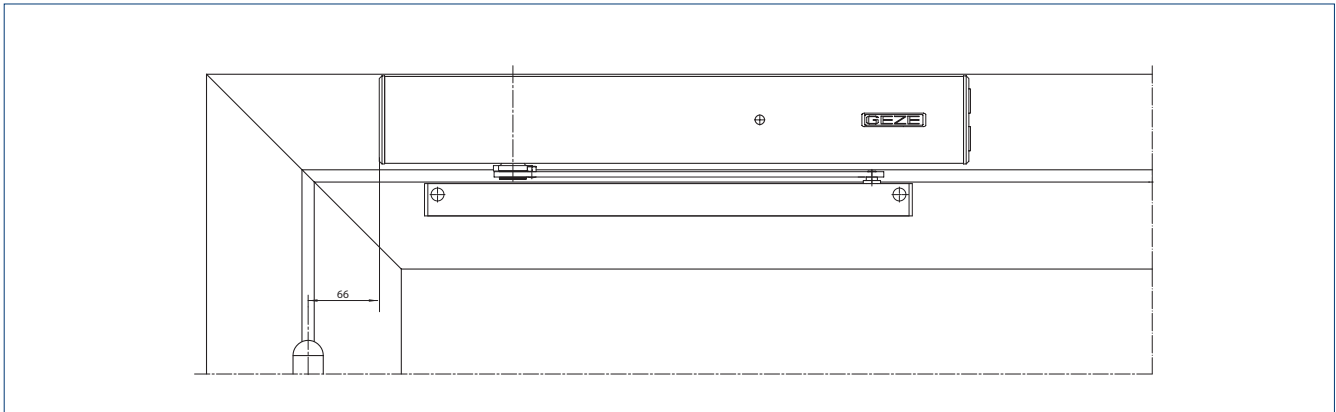
Fitting dimensions for left-hand door | 1 = with concealed line-feed 24 V | 2 = ø 15 230 V AC | 3 = ø 15 line-feed TS 5000 E Hy 24 V



Fitting dimensions for right-hand door | 1 = with concealed line-feed 24 V | 2 = ø 15 230 V AC | 3 = ø 15 line-feed TS 5000 E Hy 24 V

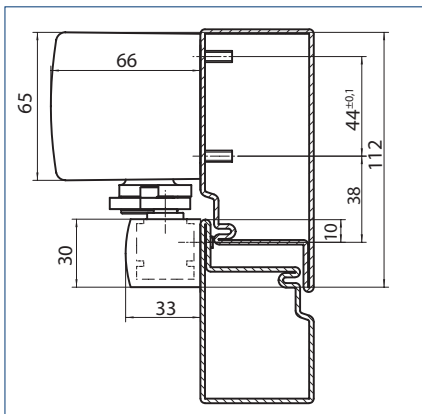
TRANSOM INSTALLATION/HINGE SIDE TS 5000 RFS 3-6

VIEW

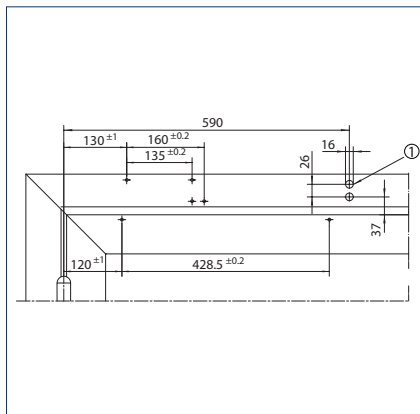


Installation example

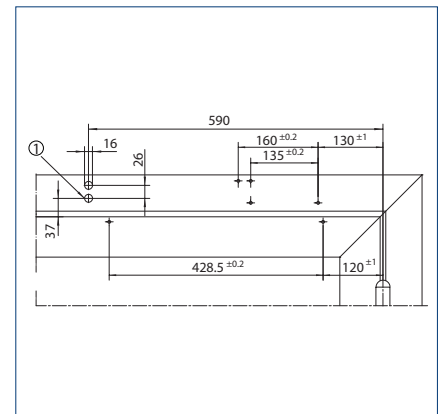
DIRECT INSTALLATION



Cross-section = direct installation



Fitting dimensions for left-hand door |
1 = line-feed 230 V



Fitting dimensions for right-hand door |
1 = line-feed 230 V

TS 5000 RFS 3-6 – ORDER INFORMATION

Designation	Version	ID no.
TS 5000 RFS 3-6 complete package door leaf installation Closing force EN 3-6, transom installation on the hinge side, with electric free swing function, with guide rail and lever with comfort hold-open function	silver-coloured	155481
	white RAL 9016	162086
	stainless steel optic ¹	162087
	acc. to RAL ²	155482
TS 5000 RFS 3-6 complete package transom installation Closing force EN 3-6, transom installation on the hinge side, with electric free swing function, integrated smoke switch control unit, guide rail and lever with comfort hold-open function	silver-coloured	155484
	acc. to RAL ²	155485
INSTALLATION MATERIAL		
Mounting plate guide rail For E guide rail	silver-coloured	123294
	acc. to RAL ²	123295
Mounting plate guide rail for R / RFS guide rail	silver-coloured	123296
	acc. to RAL ²	123297
Mounting plate door closer For TS 5000 RFS KM/TS 4000 R & R-IS with hole pattern according to DIN EN 1154 Supplement 1	black	058808
Mounting plate door closer For TS 5000 EFS / RFS / E Hy / TS 4000 E with hole pattern according to DIN EN 1154 Supplement 1	silver-coloured	059107
	acc. to RAL ²	100044
ACCESSORIES		
FA GC 170 wireless kit Set consisting of: 1 piece GC 171 wireless module for the wireless extension of GEZE hold-open systems		195524
GC 171 wireless module for the wireless connection of wireless components (GC 172 wireless smoke detector; GC 173 wireless thermal detector; GC 175 wireless input module) on GEZE hold-open systems	anthracite	163051
GC 172 wireless smoke detector for the wireless connection to GEZE hold-open systems, battery-operated with 8 years battery lifetime, with base, tested in accordance with EN 54-7 and EN 54-25, general construction technique permit for use with all GEZE hold-open systems	white RAL 9016	195522
GC 173 wireless thermal detector for the wireless connection to GEZE hold-open systems, battery-operated with 8 years battery lifetime, with base, tested in accordance with EN 54-7 and EN 54-25, general construction technique permit for use with all GEZE hold-open systems	white RAL 9016	195523
GC 175 wireless input module for wireless connection of manual trigger switches to the GEZE GC 171 wireless module, applicable for all GEZE hold-open systems	black	163068
Flexible opening restrictor For guide rail 1-leaf: TS 5000 E/R/RFS (door leaf installation), Boxer E; double leaf: all E/R/ISM variants TS 5000 and Boxer		145311
GC 152 smoke detector Complete with base, 24 V DC, 20 mA, tested in accordance with EN54-7, with general official building approval for use with all GEZE hold-open systems, integrated line monitoring, conform with DIN EN 14637	white	139850
GC 153 wireless thermal detector Complete with base, 24 V DC, 20 mA, tested in accordance with EN54-5, with general official building approval for use with all GEZE hold-open systems, integrated line monitoring, conform with DIN EN 14637	white	139881
AS 500 manual trigger switch for the manual release of electrically controlled hold-open devices including terminating resistor for line monitoring	alpine white/red	116266
AS 500 manual trigger switch (with glass pane and 5 interchangeable labels) for the manual release of electrically controlled hold-open devices	alpine white/red	120880
Surface-mounted box, single Matching the AS 500 switch programme	white	120503
Replacement glass pane for manual trigger switch 120880 and 120881		010994

¹ Only for dry rooms | ² Surcharge for RAL special colours, see General Notes in the Price List.



SWING DOOR

For double leaf doors

The correct and, even more so, reliable closing sequence of the door closer system is especially important for double leaf doors. So: When the door closes, the active leaf must remain in the waiting position until the passive leaf is closed – and until the active leaf is released by the closing sequence control. Our overhead door closers with guide rails offer you various specific setting options and make your door and gate systems safe, efficient and barrier-free. Learn about our door closer solutions.



TS 5000 ISM ECLine



Overhead door closer system with guide rail for barrier-free, easy-to-open double leaf doors up to 1250 mm leaf width in accordance with DIN 18040 with integrated closing sequence control

AREAS OF APPLICATION

- Fire and smoke protection doors system with two TS 5000 ECLine door closers and ISM guide rail
- Right and left double leaf single-action doors
- Symmetrical and asymmetrical division of door possible
- Single-action doors up to 2500 mm hinge clearance and 1250 mm leaf width
- Minimum hinge clearance 1300 mm, minimum width of passive leaf 400 mm
- Door leaf installation on hinge side
- Barrier-free access in accordance with DIN 18040 up to EN5

PRODUCT FEATURES

- System with two TS 5000 ECLine door closers and ISM guide rail
- Barrier-free access in accordance with DIN 18040 up to EN5 (1250 mm leaf width)
- Adjustable closing force of EN3-5 with variable adjustment
- Can be used for right and left hand doors without conversion
- Closing sequence control holds the active leaf in the waiting position until the passive leaf is closed
- Hydraulic latching action which accelerates the door shortly before the closed position
- Closing speed can be individually adjusted
- Integrated back check, slows down doors that are thrown open forcefully
- Visual closing force display for easy control of the setting
- All functions can be adjusted from the front and less installation time compared to standard systems

TECHNICAL DATA FOR DOOR CLOSER

	TS 5000 Ecline door closer	TS 5000 L Ecline door closer
PRODUCT FEATURES		
Closing force acc. to EN 1154	3 – 5	
Leaf width recommended up to	1250 mm	
Identical design DIN left and DIN right	●	●
Product tested in accordance with	Door closer tested acc. to EN 1154, DIN 18040 up to EN5 (1250 mm leaf width)	
Suitability for fire protection doors	●	●
Length	287 mm	
Overall depth	47 mm	
Height	60 mm	
FUNCTIONS		
Closing force adjustable	Yes, with variable adjustment	
Closing speed adjustable	●	●
Latching action adjustable	Yes, via valve	
Back check integrated	Yes, hydraulically adjustable	
Closing force adjustment position	Front	
Visual closing force display	●	●
Safety valve to prevent wilful damage	●	●
Thermo-constant valves	●	●

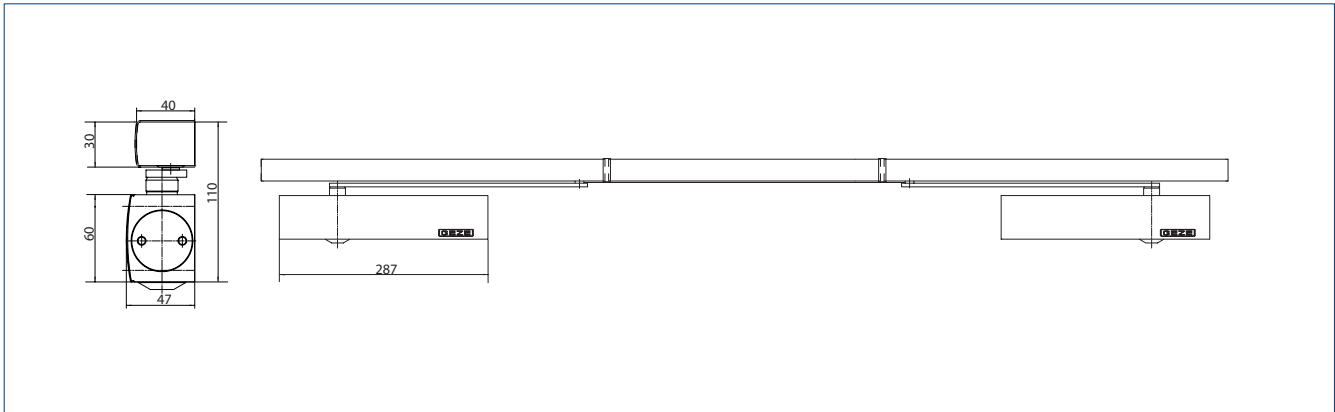
● = yes | ○ = optional

TECHNICAL DATA FOR GUIDE RAIL

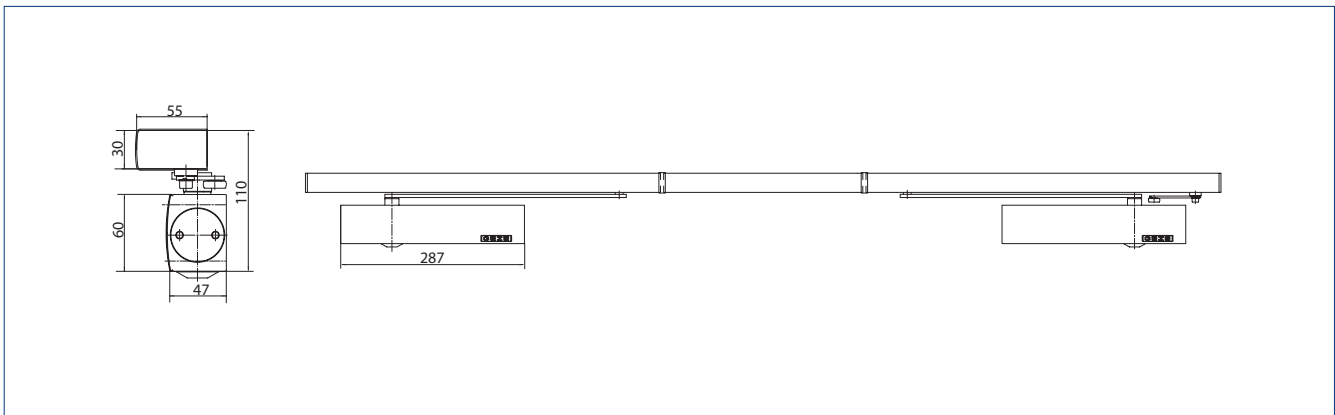
	ISM guide rail TS 5000	ISM guide rail BG TS 5000
PRODUCT FEATURES		
Product tested in accordance with	Closing sequence control tested acc. to EN 1158	
Length	2630 mm	2730 mm
Overall depth	40 mm	55 mm
Height	30 mm	
FUNCTIONS		
Flexible opening restrictor	●	●
Height correction possible	●	●
Closing sequence control integrated	●	●

● = yes | ○ = optional

PRODUCT SCALE DRAWING



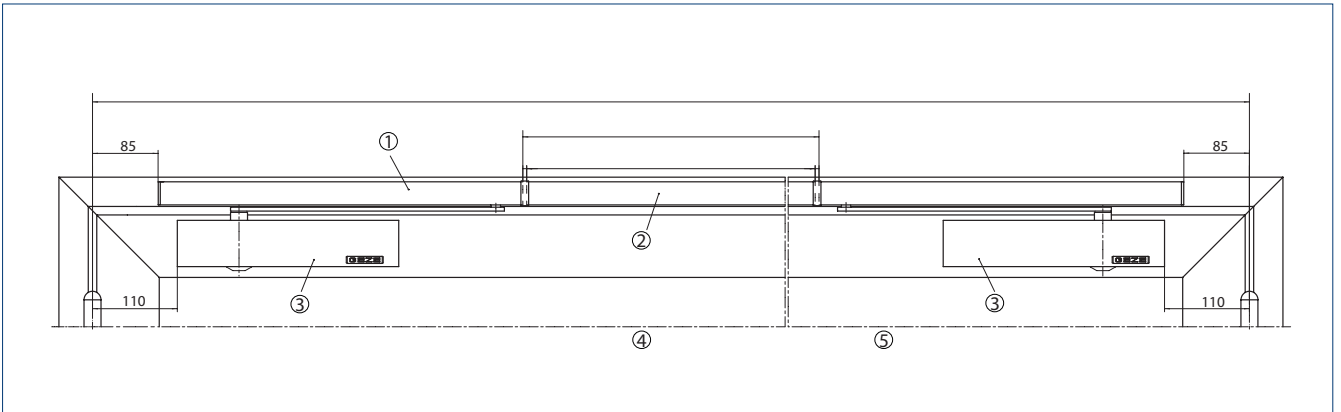
TS 5000 ISM EClíne



TS 5000 L-ISM EClíne

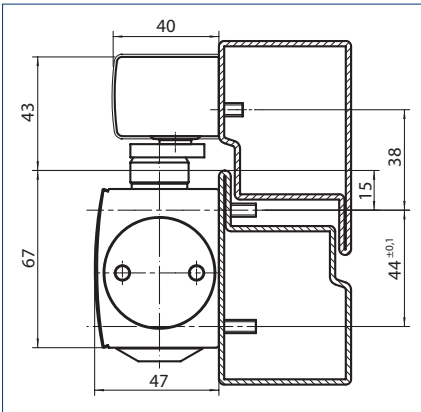
DOOR LEAF INSTALLATION/HINGE SIDE TS 5000 ISM ECLINE

VIEW

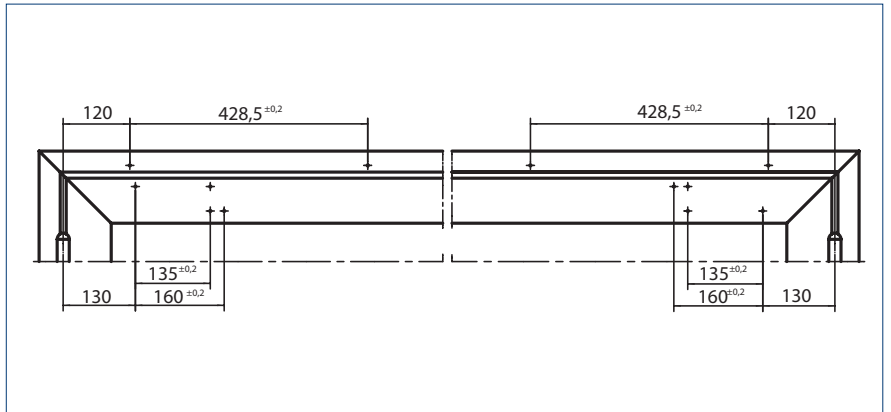


Installation example | 1 = ISM guide rail | 2 = middle section may be cut to size | 3 = TS 5000 ECLine | 4 = active leaf | 5 = passive leaf

DIRECT INSTALLATION

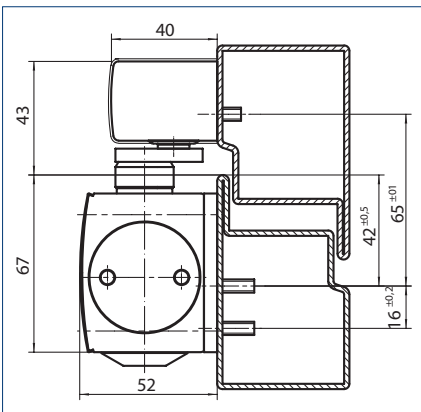


Cross-section = direct installation

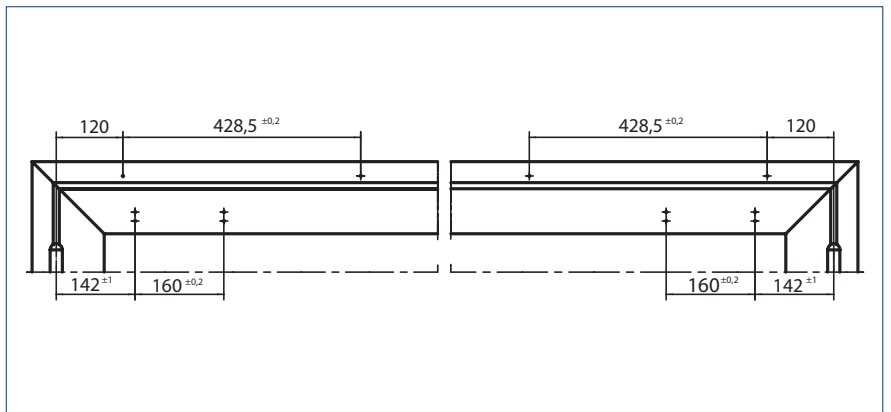


Fitting dimensions

INSTALLATION WITH MOUNTING PLATE



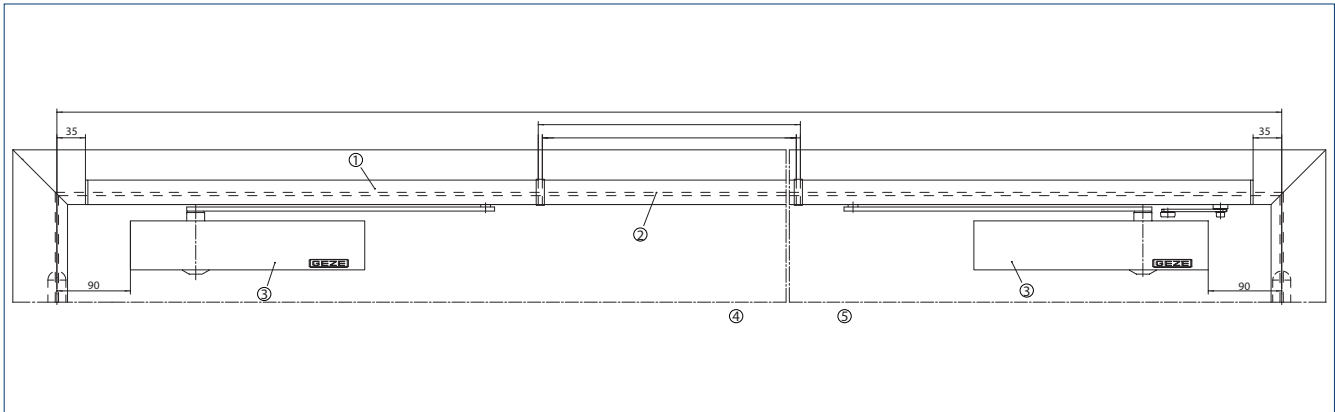
Cross-section = installation with mounting plate



Fitting dimensions

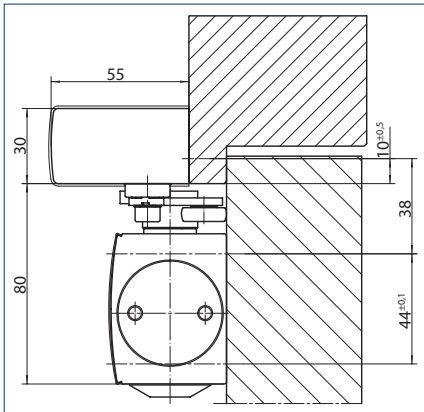
DOOR LEAF INSTALLATION/OPPOSITE HINGE SIDE TS 5000 L-ISM ECLINE

VIEW

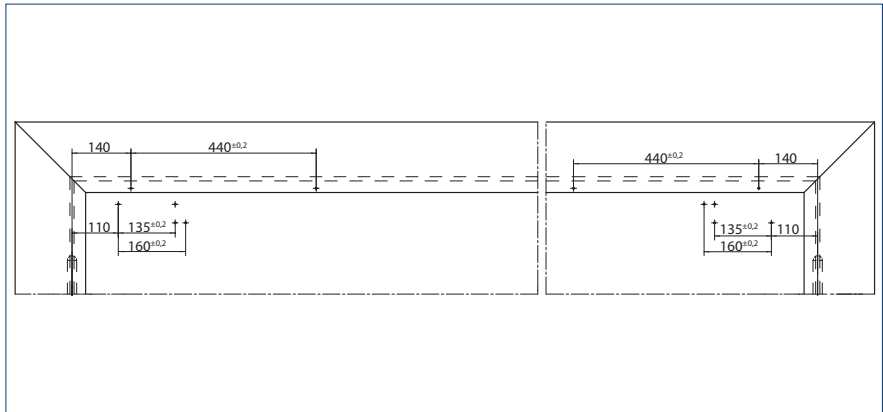


Installation example | 1 = ISM guide rail BG | 2 = middle section may be cut to size | 3 = TS 5000 L | 4 = active leaf | 5 = passive leaf

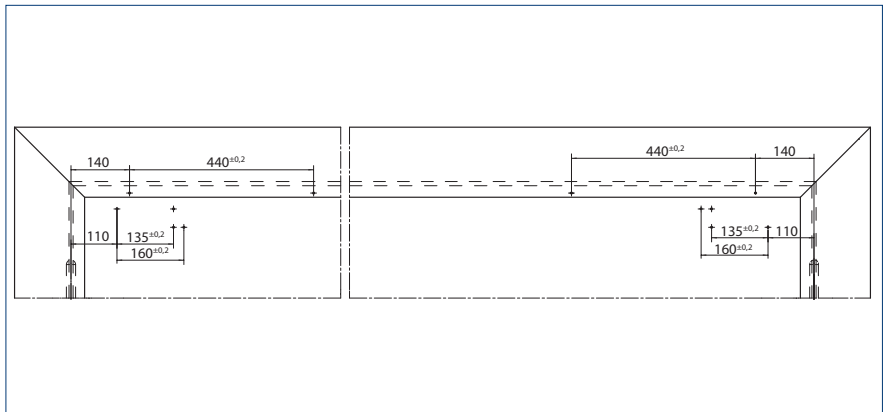
DIRECT INSTALLATION



Cross-section = direct installation

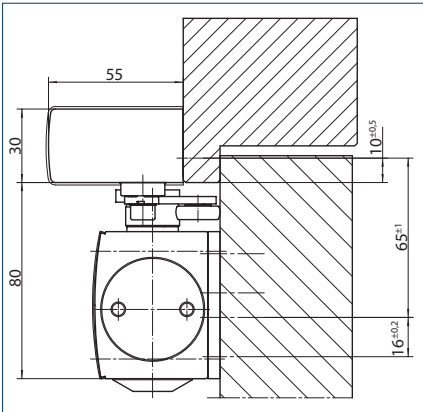


Fitting dimensions right-hand leaf = active leaf, left-hand leaf = passive leaf

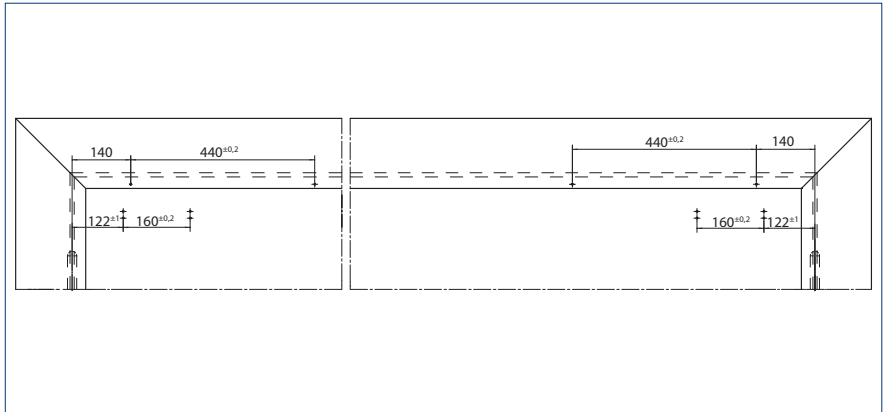


Fitting dimensions right-hand leaf = passive leaf, left-hand leaf = active leaf

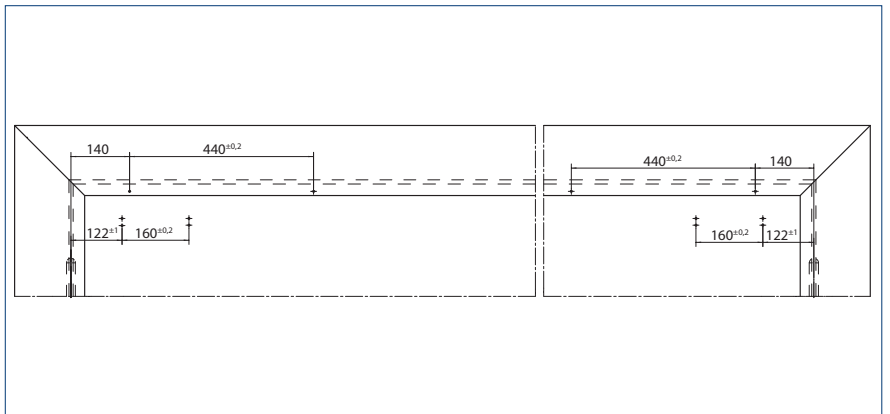
INSTALLATION WITH MOUNTING PLATE



Cross-section = installation with mounting plate



Fitting dimensions right-hand leaf = passive leaf, left-hand leaf = active leaf



Fitting dimensions right-hand leaf = active leaf, left-hand leaf = passive leaf

TS 5000 ISM ECLINE – ORDER INFORMATION

Designation	Version	ID no.
TS 5000 ECLine door closer Closing force EN 3-5, with back check (without guide rail and lever)	silver-coloured	143640
	white RAL 9016	143641
	stainless steel face plate	143642
	acc. to RAL ²	143643
TS 5000 L ECLine door closer Closing force EN 3-5, with back check (without guide rail and lever)	silver-coloured	143648
	white RAL 9016	143649
	stainless steel face plate	143650
	acc. to RAL ²	143651
ISM guide rail BG TS 5000 Continuous, with integrated closing sequence control and levers	silver-coloured	115594
	white RAL 9016	115595
	stainless steel optic ¹	115596
	black RAL 9005	198813
	acc. to RAL ²	115597
ISM guide rail TS 5000 Continuous, with integrated closing sequence control and levers	silver-coloured	115549
	white RAL 9016	115591
	stainless steel optic ¹	115592
	black RAL 9005	198813
	acc. to RAL ²	115593
INSTALLATION MATERIAL		
Mounting plate guide rail for ISM / E-ISM guide rail	silver-coloured	118702
	acc. to RAL ²	118703
Mounting plate guide rail BG For ISM / E-ISM / R-ISM guide rail BG & VP versions	silver-coloured	118704
	acc. to RAL ²	118705
Mounting plate door closer For TS 5000/TS 4000 with hole pattern according to DIN EN 1154 Supplement 1	silver-coloured	049185
	white RAL 9016	068627
	galvanised	057956
	stainless steel optic ¹	137725
	black RAL 9005	076508
	acc. to RAL ²	029176

TS 5000 ISM ECLINE – ORDER INFORMATION

Designation	Version	ID no.
ACCESSORIES		
Surface-mounted box, single Matching the AS 500 switch programme	alpine white	120503
CB flex For use on all double leaf rebated doors. Concealed length adjustment with variable adjustment up to 210 mm leaf protrusion, hinged mechanism not visible, profile can be shortened if necessary, with attachment material	silver-coloured	153602
	white RAL 9016	182652
	black RAL 9005	195798
	acc. to RAL ²	153728
Ramp up wedge For use with the GEZE CB flex carry bar	silver-coloured	199544
	white RAL 9016	199546
	acc. to RAL ²	199951
Magnetic counter plate for hold-open magnets Version with adjustable joint		115956
Magnetic counter plate for hold-open magnets Standard version, rubber support		115954
AS 500 manual trigger switch For the manual release of electrically controlled hold-open devices including terminating resistor for line monitoring	alpine white/red	116266
AS 500 manual trigger switch (with glass pane and 5 interchangeable labels) for the manual release of electrically controlled hold-open devices including terminating resistor for line monitoring	alpine white/red	120880
Mechanical hold-open unit For ISM guide rail / ISM BG guide rail with ECLINE ISM / ISM BG retrofit kit on the active leaf		154766
GC 152 smoke detector Complete with base, 24 V DC, 20 mA, tested in accordance with EN54-7, with general official building approval for use with all GEZE hold-open systems FA GC 150, integrated line monitoring, conform with DIN EN 14637	white	139850
GC 153 wireless thermal detector Complete with base, 24 V DC, 20 mA, tested in accordance with EN54-5, with general official building approval for use with all GEZE hold-open systems FA GC 150, integrated line monitoring, conform with DIN EN 14637	white	139881
Hold-open magnet 24 V DC – 490 N retention force, approved for all GEZE smoke switch control units, floor-mounted, with sturdy aluminium housing		115951
Hold-open magnet 24 V DC – 490 N retention force, approved for all GEZE smoke switch control units, basic model, without mounting plate, rear screw connection		115830
Hold-open magnet 24 V DC – 490 N retention force, approved for all GEZE smoke switch control units, wall/ceiling installation, standpipe 185 mm, easy to shorten, magnetic head bendable through 90°		115952
Hold-open magnet 24 V DC – 490 N retention force, approved for all GEZE smoke switch control units, wall/ceiling installation, standpipe 335 mm, easy to shorten, magnetic head bendable through 90°		115953
Hold-open magnet 24 V DC – 490 N retention force, approved for all GEZE smoke switch control units, wall installation surface-mounted installation or floor mounting with accessories base		155569
Hold-open magnet 24 V DC – 490 N retention force, approved for all GEZE smoke switch control units, flush-mounted wall installation		155567
Hold-open magnet 24 V DC – 490 N retention force, approved for all GEZE smoke switch control units, wall installation with base 65 mm		155573
Hold-open magnet 24 V DC – 490 N retention force, approved for all GEZE smoke switch control units, wall mounting, with base plate		115829
Retrofit kit ECLINE ISM/ISM BG Power storage for use on the active leaf in double leaf guide rails ISM and ISM BG, opening assistance for greater operating convenience		154767
Base for floor mounting for hold-open magnet Base for hold-open magnet surface mounted		155574

1 Only for dry rooms | 2 Surcharge for RAL special colours, see General Notes in the Price List.

TS 5000 ISM



Overhead door closer system with guide rail for double leaf doors with closing sequence control

AREAS OF APPLICATION

- Fire and smoke protection doors
- Double leaf single-action doors
- Symmetrical and asymmetrical division of door possible
- Single-action doors up to 2800 mm hinge clearance, 1400 mm leaf width and overlength up to 3200 mm
- Minimum hinge clearance 1300 mm, minimum width of passive leaf 400 mm
- Door leaf installation on hinge side

PRODUCT FEATURES

- System made of two TS 5000 door closers and an ISM guide rail
- Adjustable closing force of EN2-6
- Can be used for right and left hand doors without conversion
- Closing sequence control holds the active leaf in the waiting position until the passive leaf is closed
- Hydraulic latching action which accelerates the door shortly before the closed position
- Closing speed can be individually adjusted
- Integrated back check, slows down doors that are thrown open forcefully
- Visual closing force display for easy control of the setting
- All functions can be adjusted from the front

2 – 6 / L3 – 6

	TS 5000 ECLine / TS 5000 LECLine	TS 5000 / TS 5000 L	TS 5000 SoftClose
PRODUCT FEATURES			
Closing force acc. to EN 1154	3 – 5	2 – 6	2 – 6
Leaf width recommended up to	1250 mm	1400 mm	1400 mm
Identical design DIN left and DIN right	●	●	●
Product tested in accordance with	Door closer tested acc. to EN 1154		
Suitability for fire protection doors	●	●	●
Mounting plate with hole pattern in accordance with EN1154 Supplement	●	●	●
Length	287 mm		
Overall depth	47 mm		
Height	60 mm		
FUNCTIONS			
Closing force adjustable	Yes, with variable adjustment		
Closing speed adjustable	●	●	●
Latching action speed adjustable			Yes, via valve*
Latching action adjustable	Yes, via valve		
Back check integrated	Yes, hydraulically adjustable		
Closing force adjustment position	Front		
Visual closing force display	●	●	●
Safety valve to prevent wilful damage	●	●	●
Thermo-constant valves	●	●	●

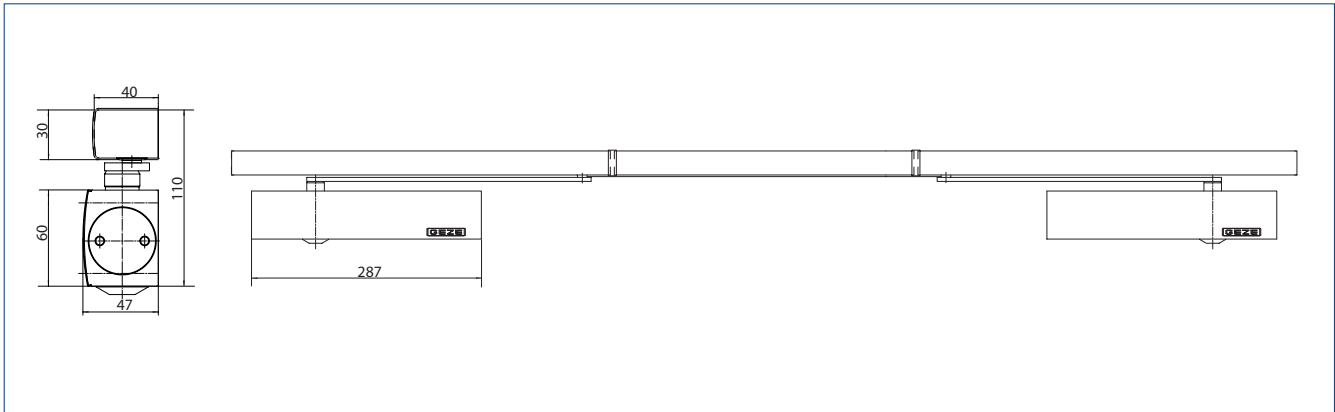
● = yes | ○ = optional | * = to decelerate or accelerate the door between 15° and 0°

TECHNICAL DATA FOR GUIDE RAIL

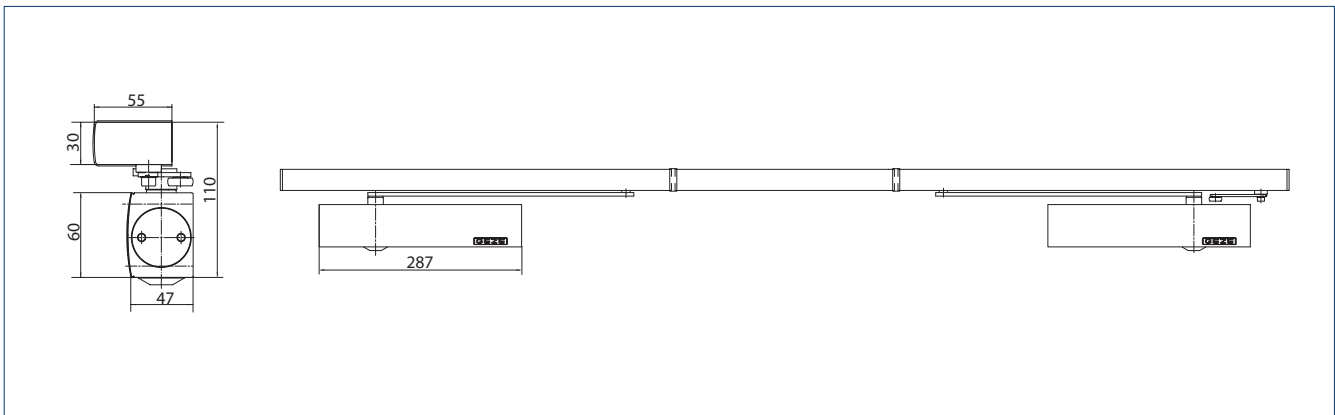
	ISM guide rail TS 5000	ISM guide rail BG TS 5000	ISM guide rail BG VPK TS 5000 complete package
PRODUCT FEATURES			
Minimum hinge clearance	1300 mm	1360 mm	1300 mm
Minimum passive leaf width	400 mm	380 mm	380 mm
Product tested in accordance with	Closing sequence control tested acc. to EN 1158	Closing sequence control tested acc. to EN 1158	Door closer tested acc. to EN 1154 Closing sequence control tested acc. to EN 1158
Length	2630 mm	2730 mm	2730 mm
Overall depth	40 mm	55 mm	55 mm
Height	30 mm		
FUNCTIONS			
Closing sequence control integrated	●	●	●
Hold-open unit hold-open magnet	○ / ○	○ / ○	○ / ○
Height correction possible	●	●	●
Flexible opening restrictor	○	○	○

● = yes | ○ = optional

PRODUCT SCALE DRAWING



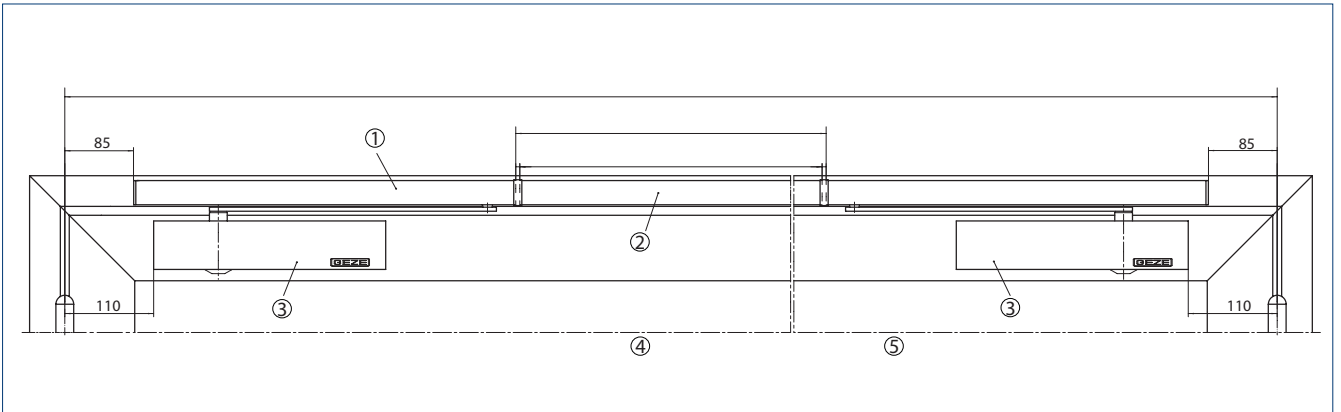
TS 5000 ISM



TS 5000 L-ISM / TS 5000 L-ISM VPK

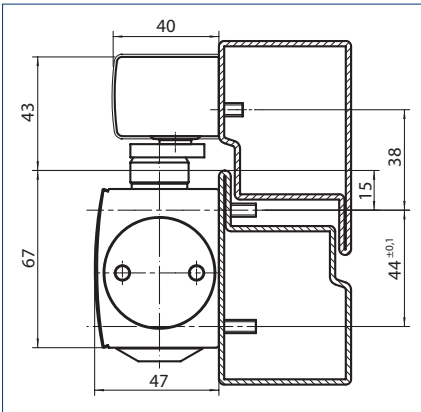
DOOR LEAF INSTALLATION/HINGE SIDE TS 5000 ISM

VIEW

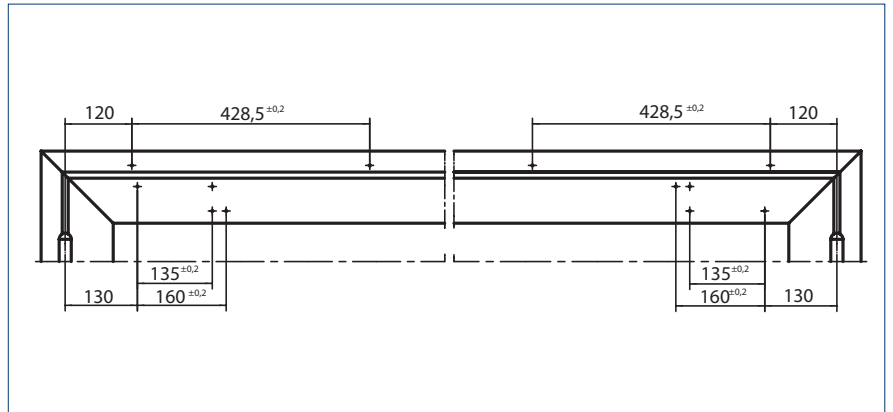


Installation example | 1 = ISM guide rail | 2 = middle section may be cut to size | 3 = TS 5000 | 4 = Active leaf | 5 = Passive leaf

DIRECT INSTALLATION

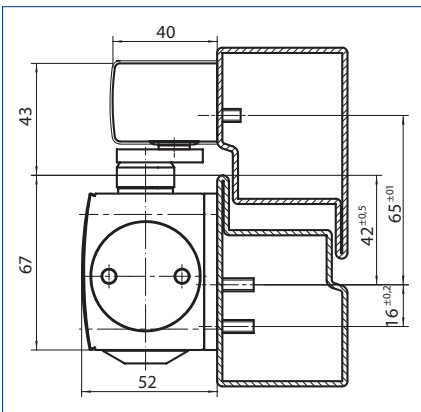


Cross-section = direct installation

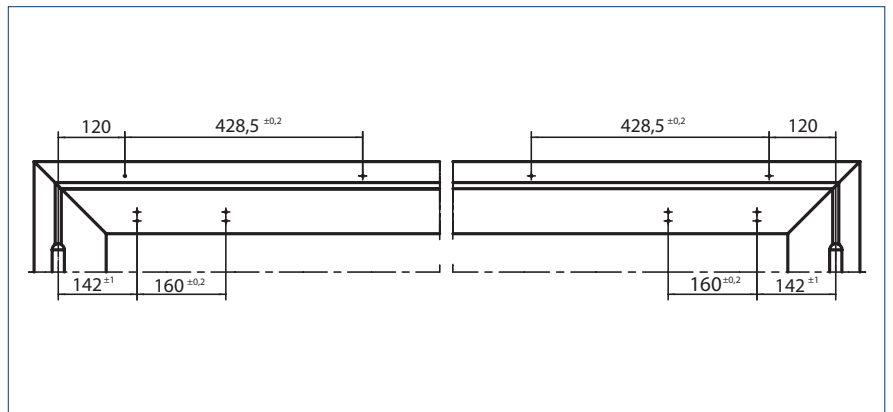


Fitting dimensions

INSTALLATION WITH MOUNTING PLATE



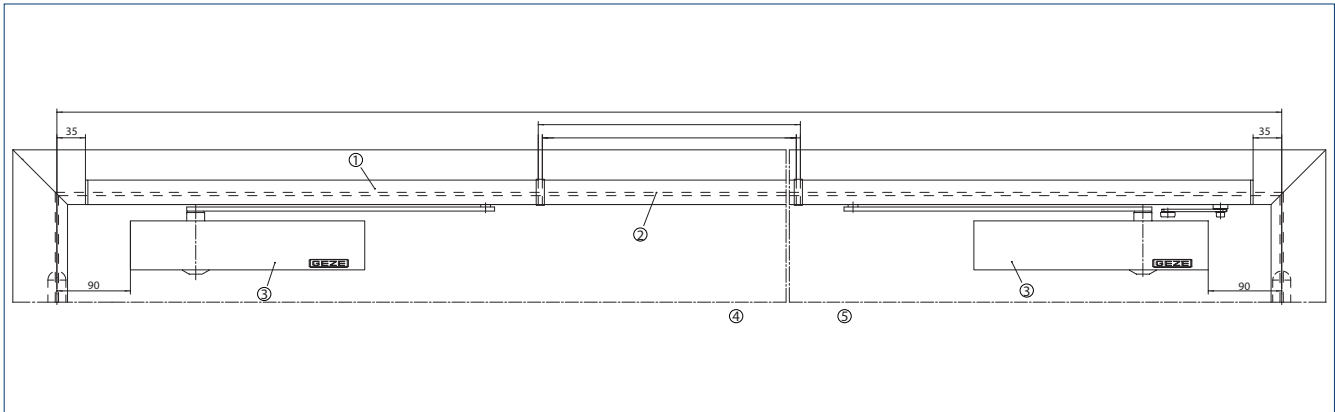
Cross-section = installation with mounting plate



Fitting dimensions

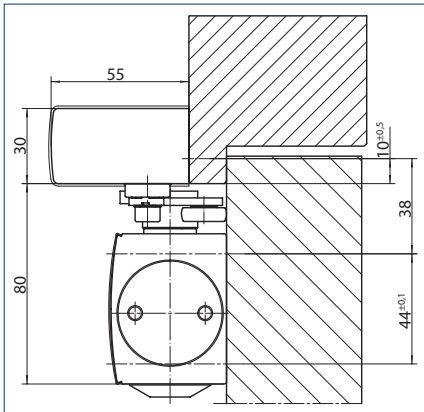
DOOR LEAF INSTALLATION/OPPOSITE HINGE SIDE TS 5000 L-ISM

VIEW

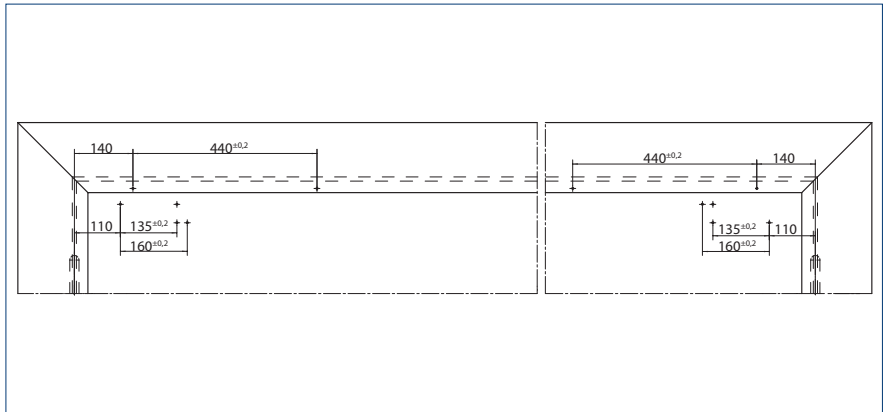


Installation example | 1 = ISM guide rail BG | 2 = middle section may be cut to size | 3 = TS 5000 L | 4 = active leaf | 5 = passive leaf

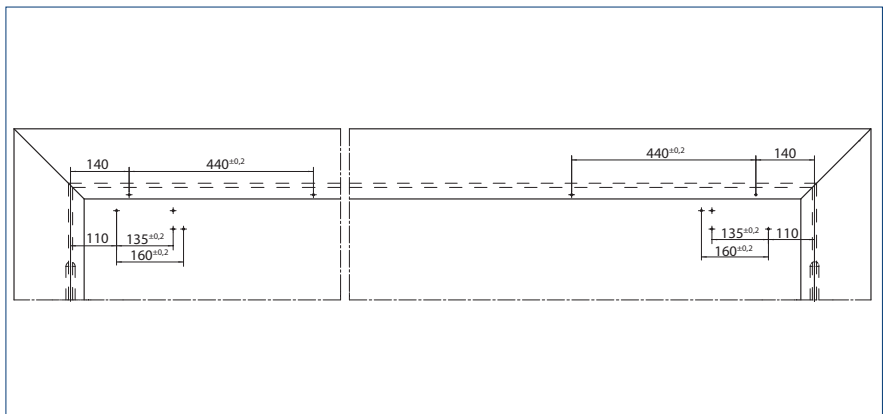
DIRECT INSTALLATION



Cross-section = direct installation

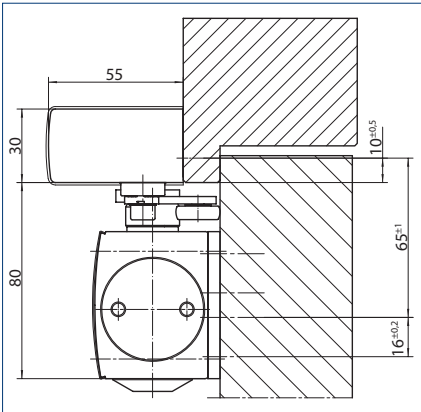


Fitting dimensions right-hand leaf = active leaf, left-hand leaf = passive leaf

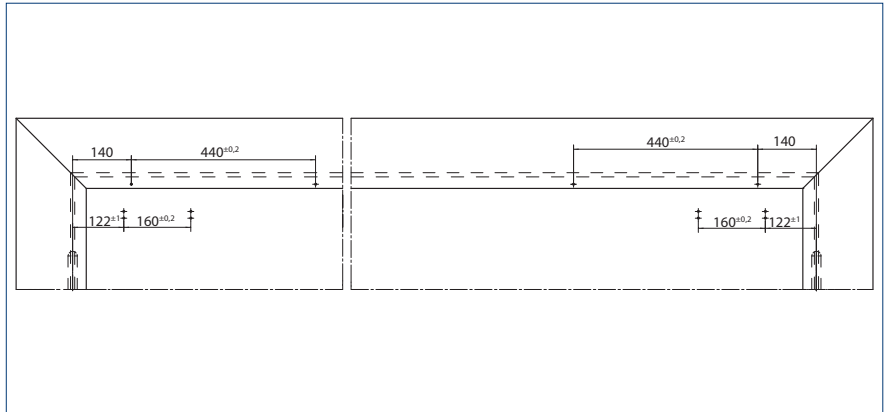


Fitting dimensions right-hand leaf = passive leaf, left-hand leaf = active leaf

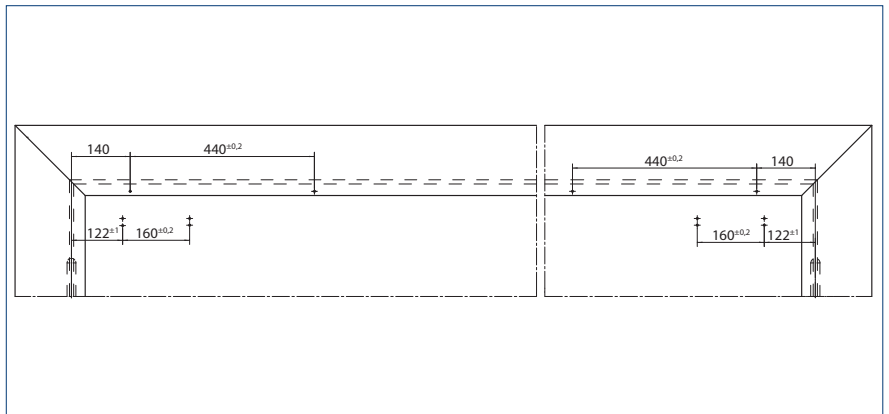
INSTALLATION WITH MOUNTING PLATE



Cross-section = installation with mounting plate



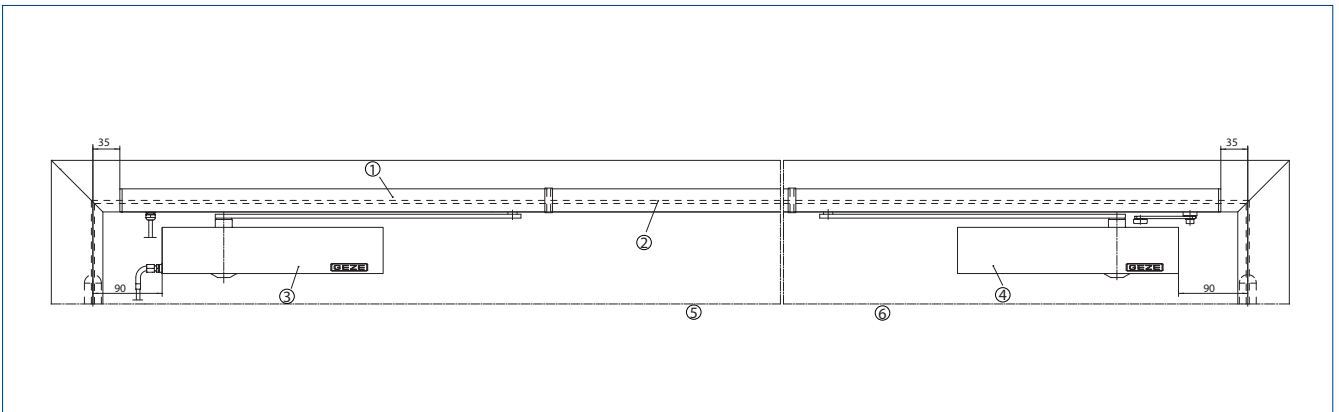
Fitting dimensions right-hand leaf = passive leaf, left-hand leaf = active leaf



Fitting dimensions right-hand leaf = active leaf, left-hand leaf = passive leaf

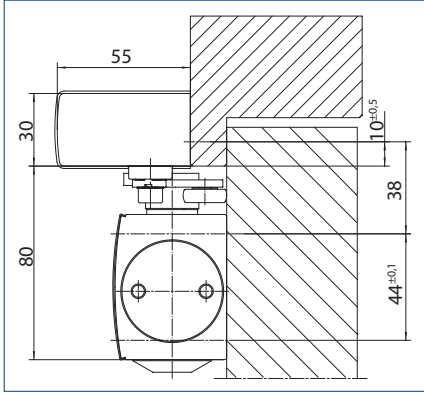
DOOR LEAF INSTALLATION/OPPOSITE HINGE SIDE TS 5000 L-ISM VPK

VIEW

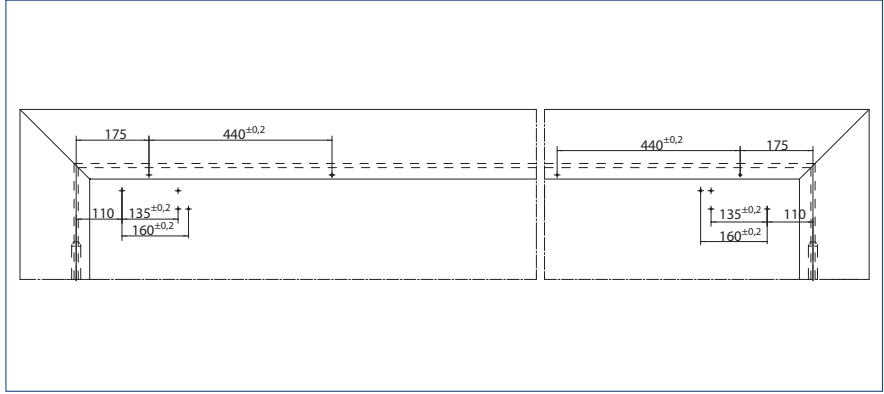


Installation example | 1 = ISM guide rail BG VPK | 2 = middle section may be cut to size | 3 = TS 5000 L-IS | 4 = TS 5000 L | 5 = active leaf | 6 = passive leaf

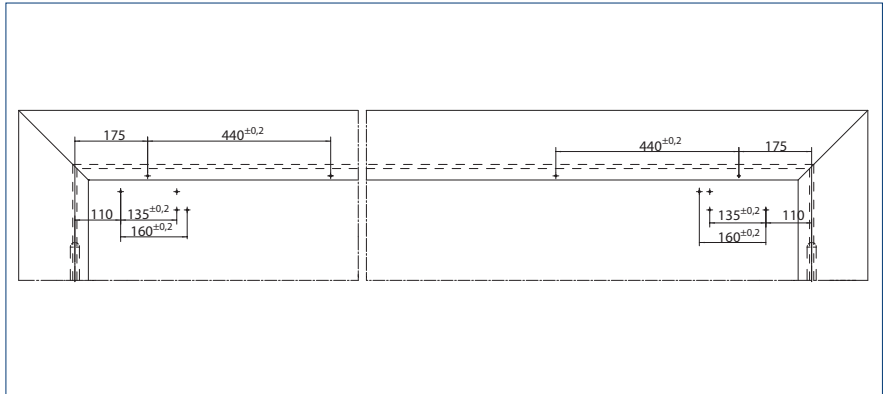
DIRECT INSTALLATION



Cross-section = direct installation

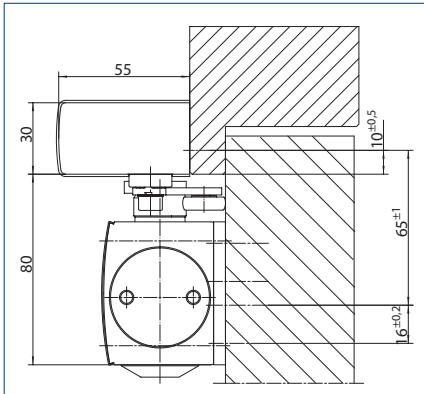


Fitting dimensions right-hand leaf = active leaf, left-hand leaf = passive leaf

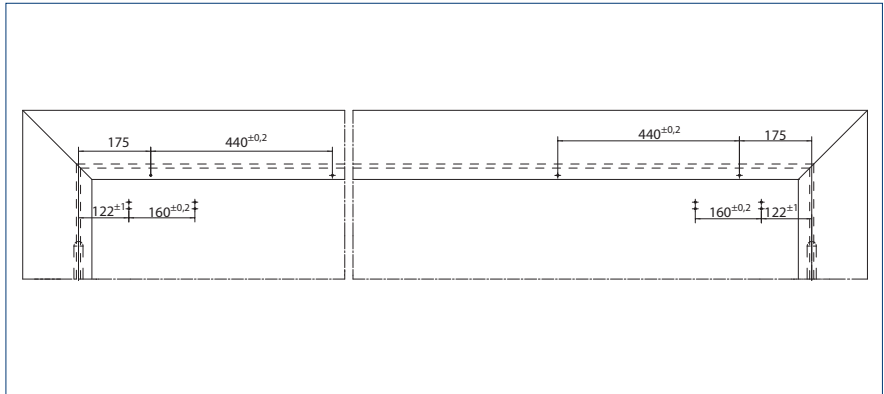


Fitting dimensions right-hand leaf = passive leaf, left-hand leaf = active leaf

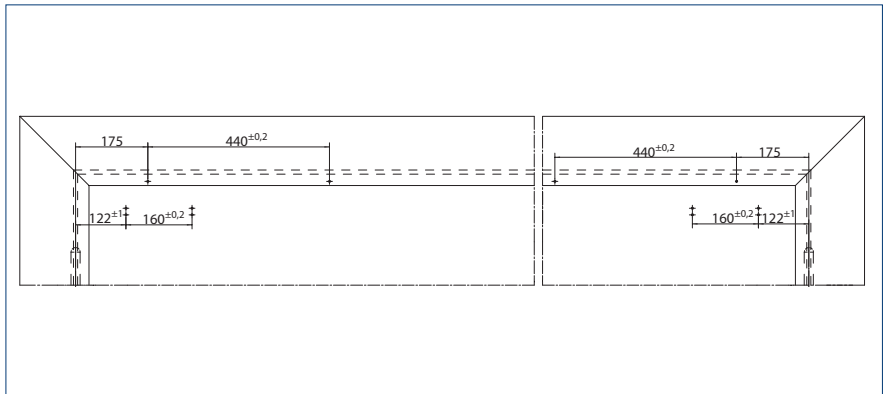
INSTALLATION WITH MOUNTING PLATE



Cross-section = installation with mounting plate



Fitting dimensions right-hand leaf = passive leaf, left-hand leaf = active leaf



Fitting dimensions right-hand leaf = active leaf, left-hand leaf = passive leaf

TS 5000 ISM – ORDER INFORMATION

Designation	Version	ID no.
TS 5000 ECLine door closer Closing force EN 3-5, with back check (without guide rail and lever)	silver-coloured	143640
	white RAL 9016	143641
	stainless steel face plate	143642
	acc. to RAL ²	143643
TS 5000 door closer Closing force EN 2-6, with back check (without guide rail and lever)	silver-coloured	027333
	white RAL 9016	027335
	stainless steel face plate	137721
	black RAL 9005	076489
acc. to RAL ²	027336	
TS 5000 SoftClose door closer Closing force EN 2-6, with back check and integrated latching action speed with variable adjustment, for door deceleration (without guide rail and lever)	silver-coloured	181792
	white RAL 9016	183430
	stainless steel face plate	183431
	acc. to RAL ²	181793
ISM guide rail TS 5000 Continuous, with integrated closing sequence control and levers	silver-coloured	115549
	white RAL 9016	115591
	stainless steel optic ¹	115592
	black RAL 9005	198813
	acc. to RAL ²	115593
ISM guide rail TS 5000 extra length Continuous, overlength up to 3200 mm, with integrated closing sequence control and levers	silver-coloured	115598
	acc. to RAL ²	115599
TS 5000 L door closer Closing force EN 2-6, with back check (without guide rail and lever)	silver-coloured	027351
	white RAL 9016	029400
	stainless steel face plate	137723
	acc. to RAL ²	027352
TS 5000 L ECLine door closer Closing force EN 3-5, with back check (without guide rail and lever)	silver-coloured	143648
	white RAL 9016	143649
	stainless steel face plate	143650
	acc. to RAL ²	143651
ISM guide rail BG TS 5000 Continuous, with integrated closing sequence control and levers	silver-coloured	115594
	white RAL 9016	115595
	stainless steel optic ¹	115596
	black RAL 9005	198814
	acc. to RAL ²	115597
ISM guide rail BG VPK TS 5000 complete package System solution for general use on full panic doors comprising 1 x TS 5000 L, 1 x TS 5000 L-IS, 1 x CB flex, 1 x ISM BG guide rail, continuous, with integrated release mechanism and levers	silver-coloured	182642
	white RAL 9016	182650
	black RAL 9005	195794
	acc. to RAL ²	182643
INSTALLATION MATERIAL		
Mounting plate guide rail For ISM- / E-ISM guide rails	silver-coloured	118702
	acc. to RAL ²	118703
Mounting plate door closer For TS 5000/TS 4000 with hole pattern according to DIN EN 1154 Supplement 1	silver-coloured	049185
	white RAL 9016	068627
	galvanised	057956
	stainless steel optic ¹	137725
	black RAL 9005	076508
acc. to RAL ²	029176	
Mounting plate guide rail BG For ISM / E-ISM / R-ISM guide rail BG & VP versions	silver-coloured	118704
	acc. to RAL ²	118705
Lintel casing bracket guide rail BG For ISM / E-ISM / R-ISM guide rail BG	silver-coloured	118706
	acc. to RAL ²	118707

TS 5000 ISM – ORDER INFORMATION

Designation	Version	ID no.
Mounting plate guide rail BG For ISM/E-ISM BG VPK guide rail	silver-coloured	139757
	acc. to RAL ²	139760
Lintel casing bracket guide rail BG For ISM/E-ISM BG VPK guide rail	silver-coloured	139710
	acc. to RAL ²	139763
ACCESSORIES		
Cover cap door closer For TS 5000/TS 5000 L/TS 4000, can only be used for door leaf installation	silver-coloured	067724
	white RAL 9016	067726
	stainless steel	072696
	brass	072698
	acc. to RAL ²	000756
Mechanical hold-open unit For ISM guide rail, retention force adjustable, can be overridden		118437
Flexible opening restrictor For single leaf guide rails: TS 5000 E/R/RFS (door leaf installation), Boxer E; double leaf: all E/R/ISM variants TS 5000 and Boxer		145311
CB flex For use on all double leaf rebated doors. Concealed length adjustment with variable adjustment up to 210 mm leaf protrusion, hinged mechanism not visible, profile can be shortened if necessary, with attachment material	silver-coloured	153602
	white RAL 9016	182652
	black RAL 9005	195798
	acc. to RAL ²	153728
Ramp up wedge For use with the GEZE CB flex carry bar	silver-coloured	199544
	white RAL 9016	199546
	acc. to RAL ²	199951
Hold-open magnet 24 V DC – 490 N retention force, approved for all smoke switch control units, Wall installation surface-mounted installation or floor mounting with accessories base		155569
Hold-open magnet 24 V DC – 490 N retention force, approved for all GEZE smoke switch control units Flush-mounted wall installation		155567
Magnetic counter plate for hold-open magnets Version with adjustable joint		115956

1 Only for dry rooms | 2 Surcharge for RAL special colours, see General Notes in the Price List.

TS 5000 E-ISM



Overhead door closer system with guide rail for double leaf doors with closing sequence control and electric hold-open device

AREAS OF APPLICATION

- Fire and smoke protection doors
- Double leaf single-action doors
- Symmetrical and asymmetrical division of door possible
- Single-action doors up to 2800 mm hinge clearance, 1400 mm leaf width and overlength up to 3200 mm
- Door leaf installation on hinge side
- Hold-open systems with integrated hold-open unit

PRODUCT FEATURES

- System with two TS 5000 door closers and an E-ISM guide rail
- Adjustable closing force of EN2-6
- Operating voltage 24 V DC
- Can be used for right and left hand doors without conversion
- Electric hold-open device in the guide rail with hold-open area of 80°-130°
- Closing sequence control holds the active leaf in the waiting position until the passive leaf is closed
- Hydraulic latching action which accelerates the door shortly before the closed position
- Closing speed can be individually adjusted
- Integrated back check, slows down doors that are thrown open forcefully
- Visual closing force display for easy control of the setting
- All functions can be adjusted from the front

TECHNICAL DATA FOR DOOR CLOSER

	TS 5000 ECLine / TS 5000 L ECLine	TS 5000 / TS 5000 L	TS 5000 SoftClose
PRODUCT FEATURES			
Closing force acc. to EN 1154	3 – 5	2 – 6	2 – 6
Leaf width recommended up to	1250 mm	1400 mm	1400 mm
Identical design DIN left and DIN right	●	●	●
Product tested in accordance with	Door closer tested acc. to EN 1154		
Suitability for fire protection doors	●	●	●
Mounting plate with hole pattern in accordance with EN1154 Supplement	●	●	●
Length	287 mm		
Overall depth	47 mm		
Height	60 mm		
FUNCTIONS			
Closing force adjustable	Yes, with variable adjustment		
Closing speed adjustable	●	●	●
Latching action speed adjustable	Yes, via valve*		
Latching action adjustable	Yes, via valve		
Back check integrated	Yes, hydraulically adjustable		
Closing force adjustment position	Front		
Visual closing force display	●	●	●
Safety valve to prevent wilful damage	●	●	●
Thermo-constant valves	●	●	●

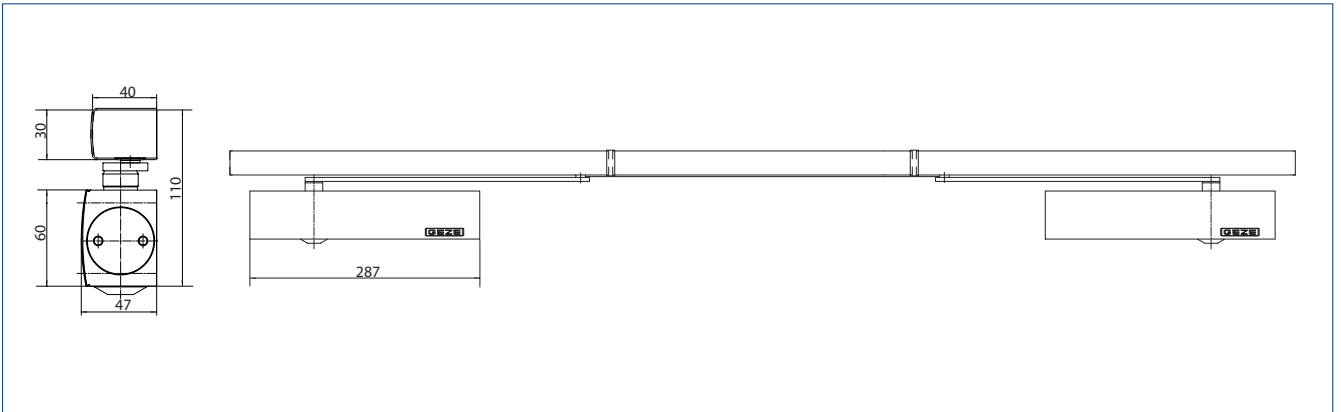
● = yes | ○ = optional | * = to decelerate or accelerate the door between 15° and 0°

TECHNICAL DATA FOR GUIDE RAIL

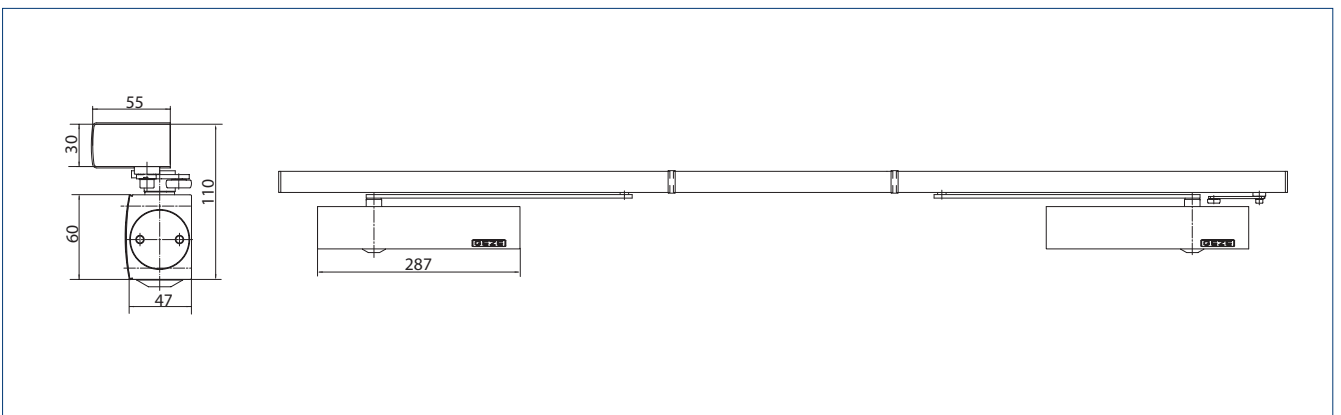
	E-ISM TS 5000	E-ISM/S TS 5000 / E-ISM/G TS 5000	E-ISM BG TS 5000 / E-ISM BG VPK TS 5000
PRODUCT FEATURES			
Minimum hinge clearance	1300 mm	1300 mm	1360 mm
Minimum passive leaf width	400 mm	400 mm	380 mm
Supply voltage	24 V DC		
Electrical power consumption	4.1 W	2.04 W	4.1 W
Duty rating	100 %		
Residual ripple	20 %		
IP rating	IP43		
Product tested in accordance with	Hold-open device tested acc. to EN 1155 Closing sequence control tested acc. to EN 1158		
Length	2630 mm	2630 mm	2730 mm
Overall depth	40 mm	40 mm	55 mm
Height	30 mm		
FUNCTIONS			
Closing sequence control integrated	●	●	●
Hold-open unit integrated	Electrical		
Hold-open unit on active leaf / passive leaf	○ / ○	○ / ○	● / ●
Hold-open unit can be overridden	●	●	●
Hold-open angle	80 – 130°	80 – 130°	above 80°
Height correction possible	●	●	●
Flexible opening restrictor	○	○	○

● = yes | ○ = optional

PRODUCT SCALE DRAWING



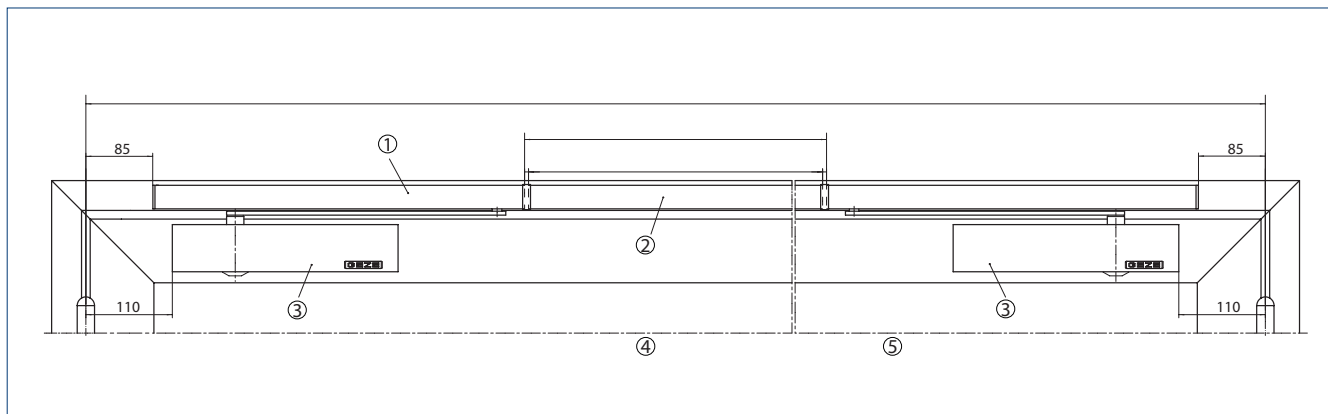
TS 5000 E-ISM | TS 5000 E-ISM/S | TS 5000 E-ISM/G



TS 5000 L-E-ISM | TS 5000 L-E-ISM VPK

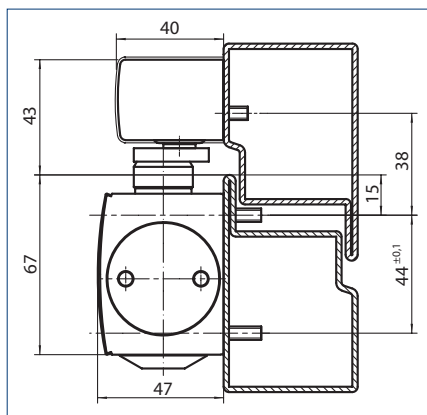
DOOR LEAF INSTALLATION/HINGE SIDE TS 5000 E-ISM / E-ISM/S / E-ISM/G

VIEW

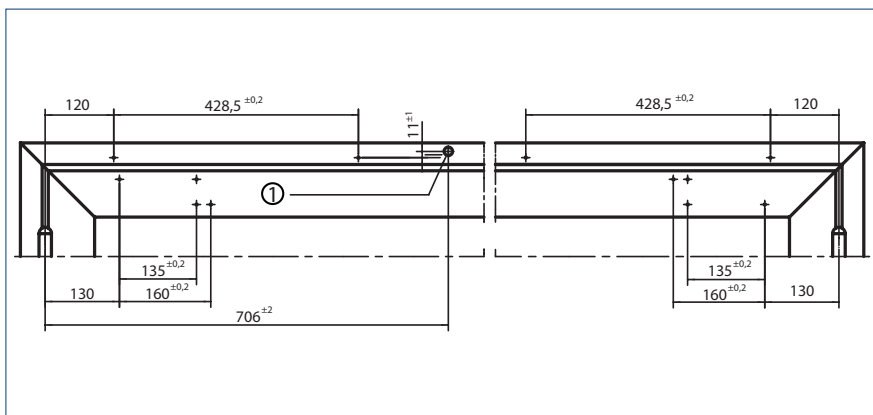


Installation example | 1 = E-ISM guide rail | 2 = middle section may be cut to size | 3 = TS 5000 | 4 = active leaf | 5 = passive leaf

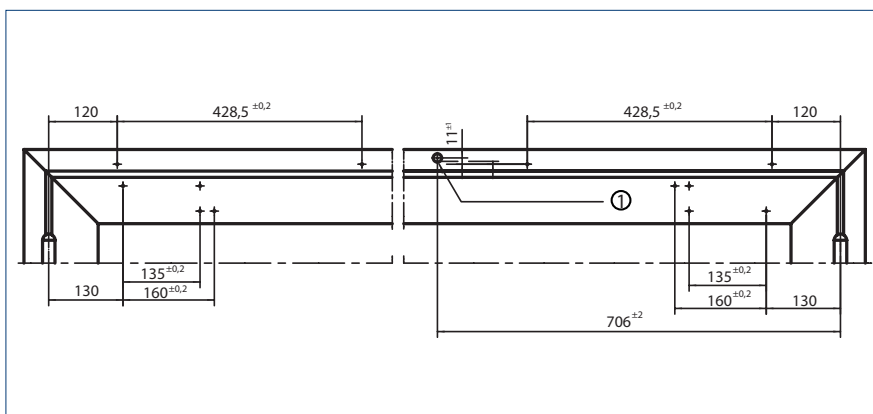
DIRECT INSTALLATION



Cross-section = direct installation

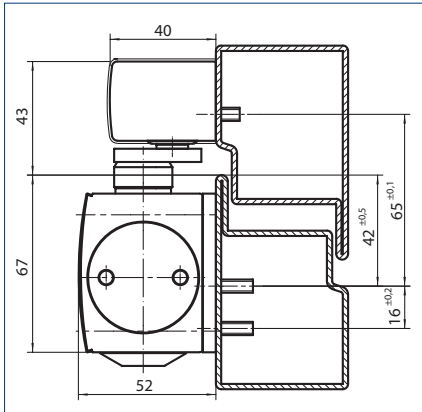


Fitting dimensions left-hand leaf = active leaf, right-hand leaf = passive leaf | 1 = \varnothing 15 line-feed 24 V

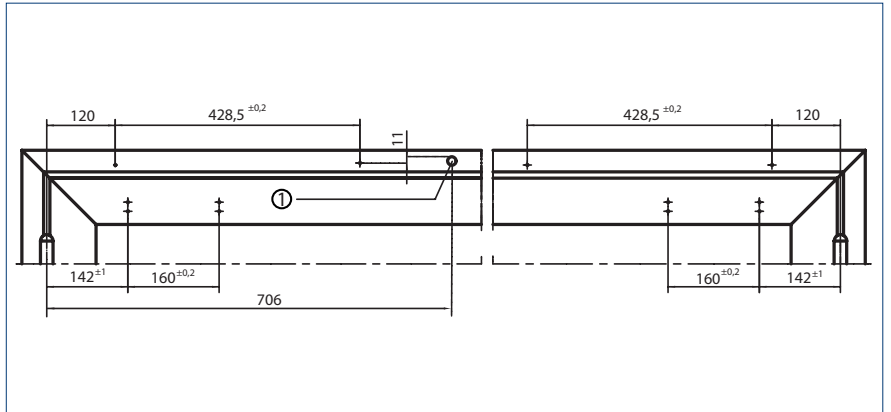


Fitting dimensions right-hand leaf = active leaf, left-hand leaf = passive leaf | 1 = \varnothing 15 line-feed 24 V

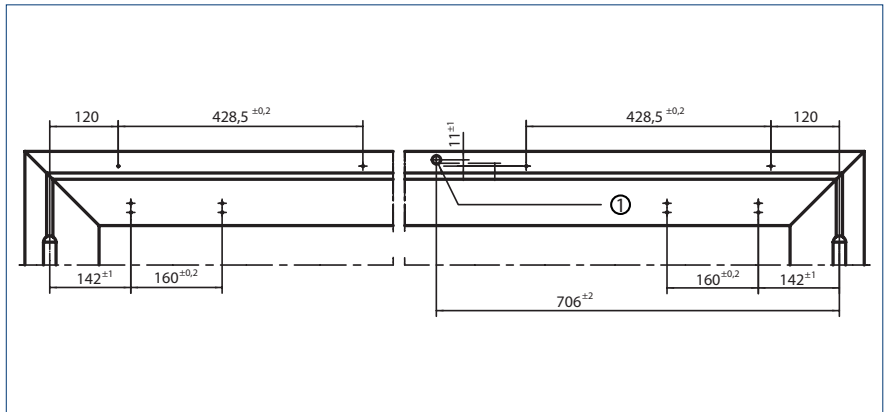
INSTALLATION WITH MOUNTING PLATE



Cross-section = installation with mounting plate



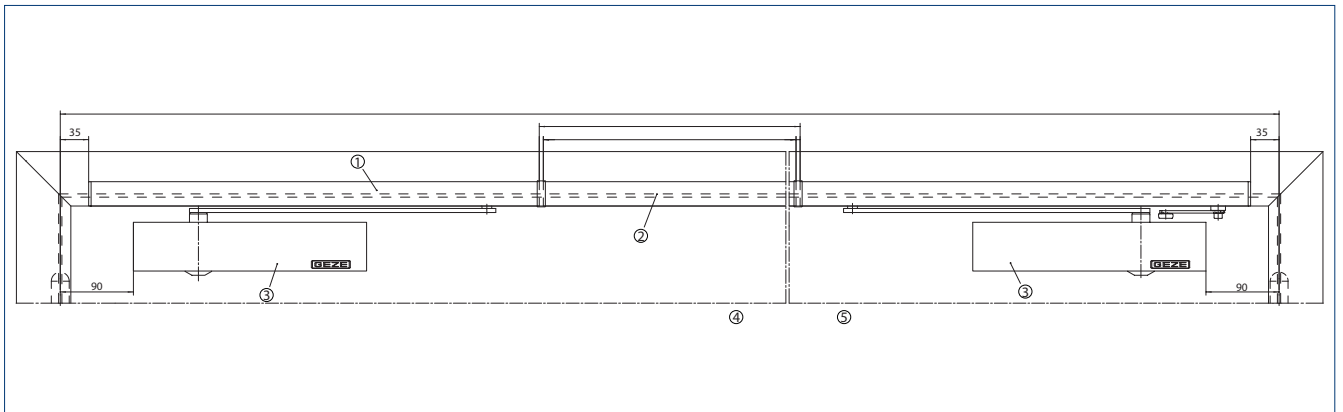
Fitting dimensions left-hand leaf = active leaf, right-hand leaf = passive leaf | 1 = ø 15 line-feed 24 V



Fitting dimensions right-hand leaf = active leaf, left-hand leaf = passive leaf | 1 = ø 15 line-feed 24 V

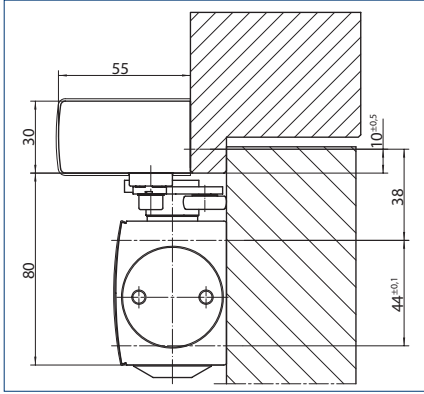
DOOR LEAF INSTALLATION/OPPOSITE HINGE SIDE TS 5000 L-E-ISM

VIEW

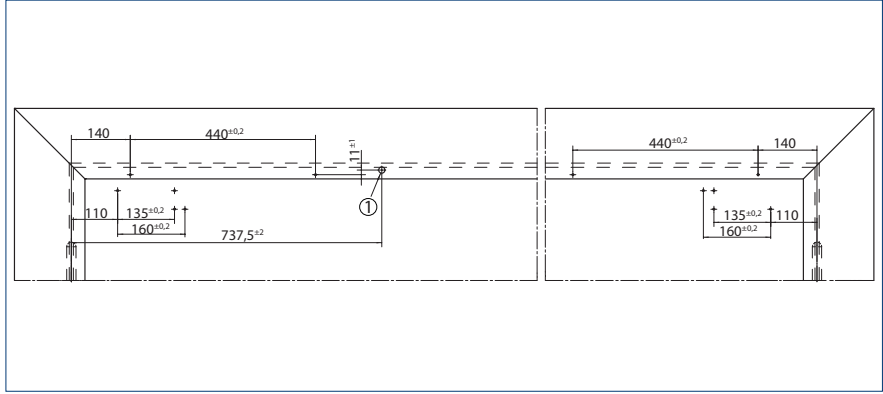


Installation example | 1 = E-ISM guide rail BG | 2 = middle section may be cut to size | 3 = TS 5000 L | 4 = active leaf | 5 = passive leaf

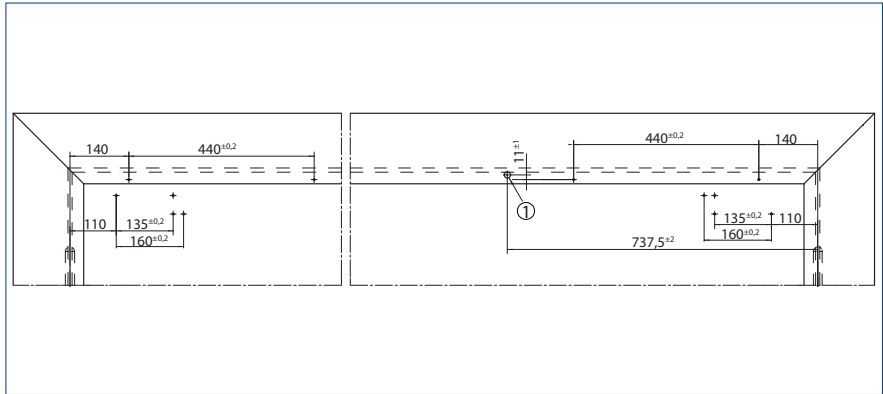
DIRECT INSTALLATION



Cross-section = direct installation

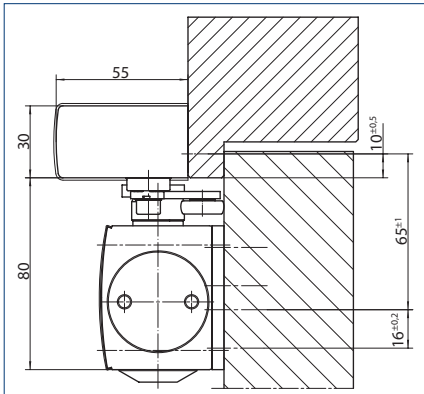


Fitting dimensions right-hand leaf = active leaf, left-hand leaf = passive leaf | 1 = ø 15 line-feed 24 V

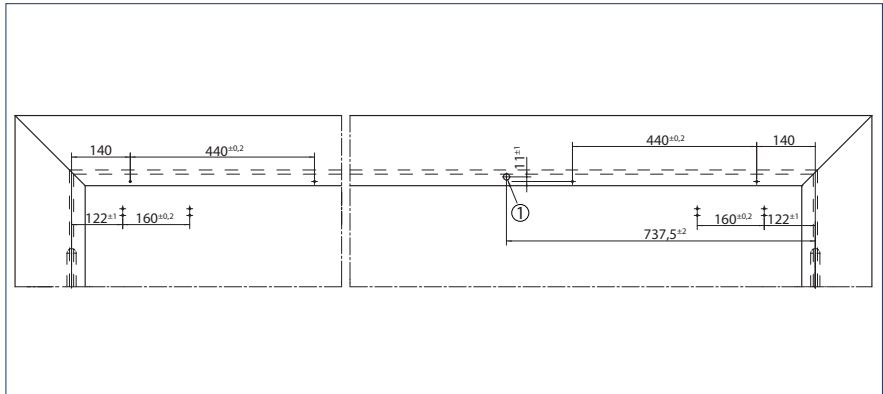


Fitting dimensions right-hand leaf = passive leaf, left-hand leaf = active leaf | 1 = ø 15 line-feed 24 V

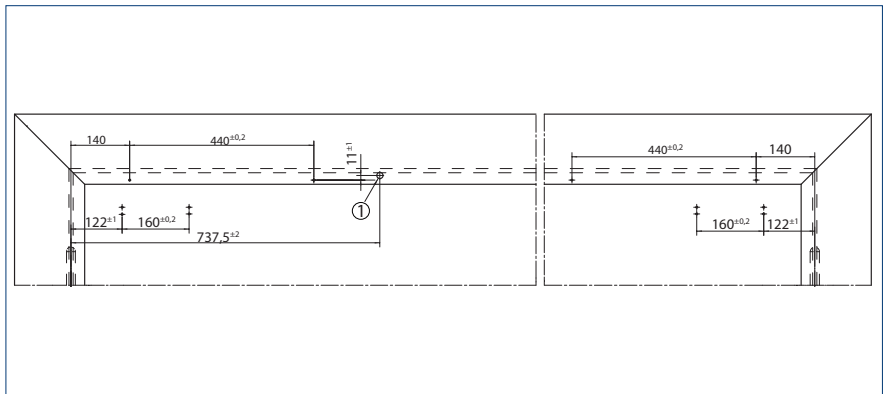
INSTALLATION WITH MOUNTING PLATE



Cross-section = installation with mounting plate



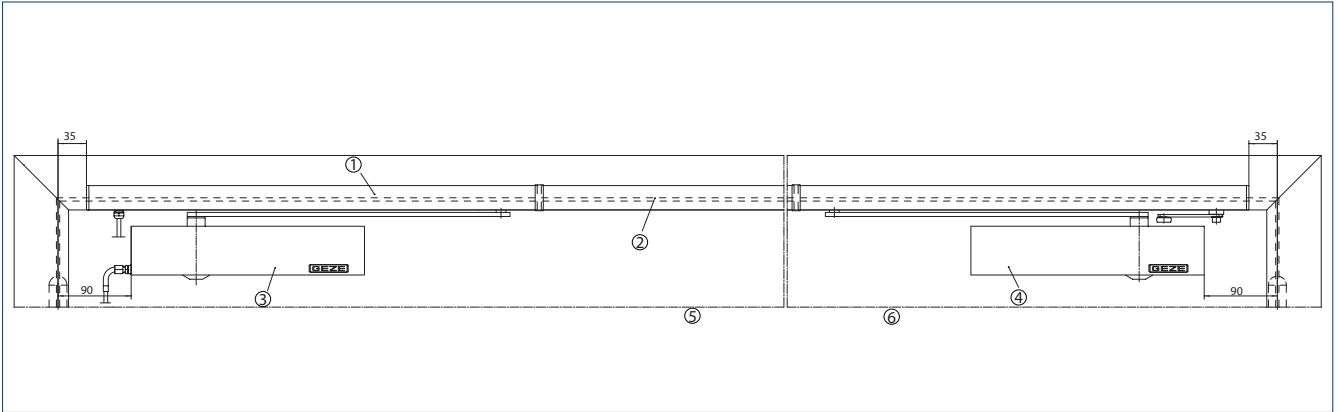
Fitting dimensions right-hand leaf = passive leaf, left-hand leaf = active leaf | 1 = ø 15 line-feed 24 V



Fitting dimensions right-hand leaf = active leaf, left-hand leaf = passive leaf | 1 = ø 15 line-feed 24 V

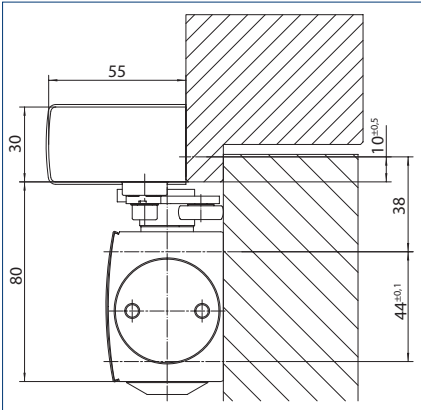
DOOR LEAF INSTALLATION/OPPOSITE HINGE SIDE TS 5000 L-E-ISM VPK

VIEW

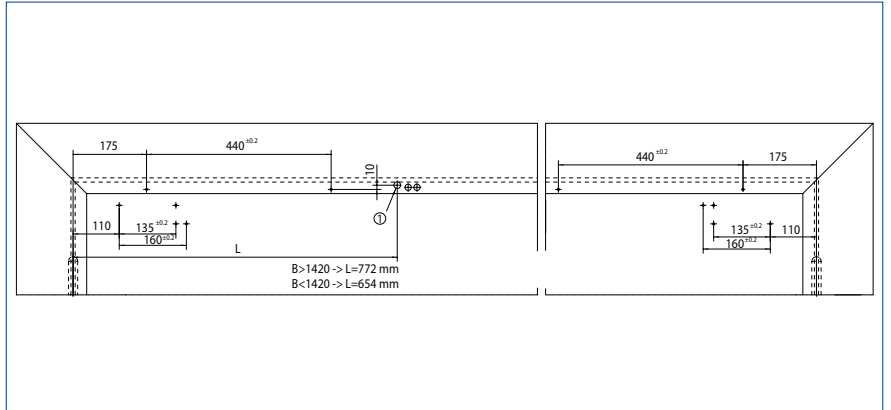


Installation example | 1 = E-ISM guide rail BG VPK | 2 = middle section may be cut to size | 3 = TS 5000 L-IS | 4 = TS 5000 L | 5 = active leaf | 6 = passive leaf

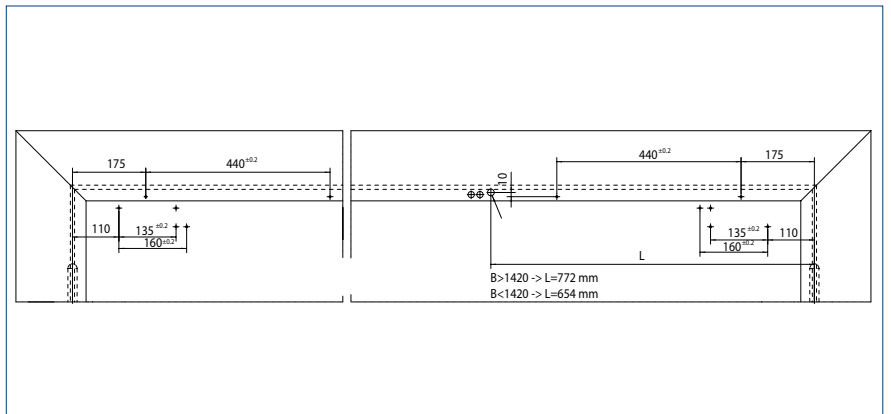
DIRECT INSTALLATION



Cross-section = direct installation

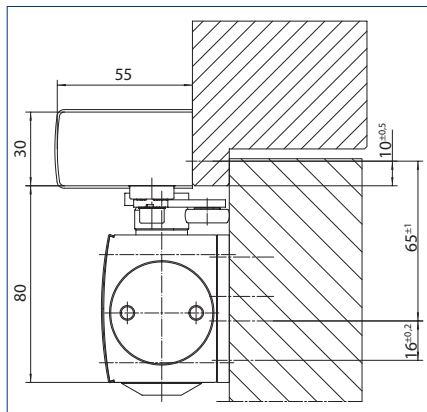


Fitting dimensions right-hand leaf = active leaf, left-hand leaf = passive leaf | 1 = ø 16 line-feed 24 V | W = door width | L = length

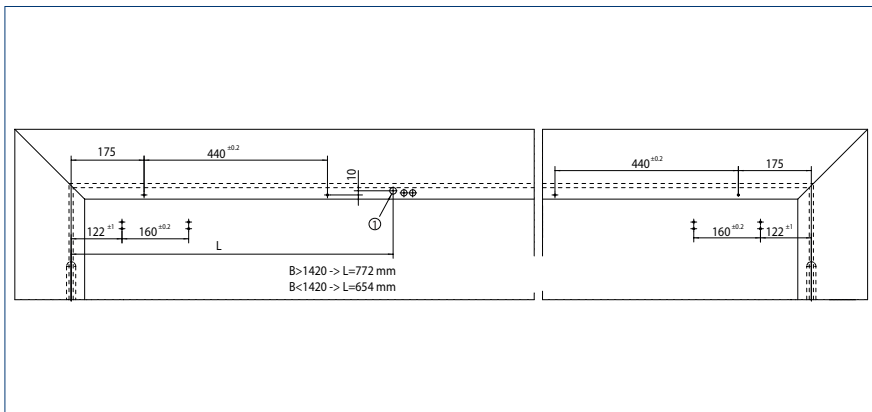


Fitting dimensions right-hand leaf = passive leaf, left-hand leaf = active leaf | 1 = ø 16 line-feed 24 V | W = door width | L = length

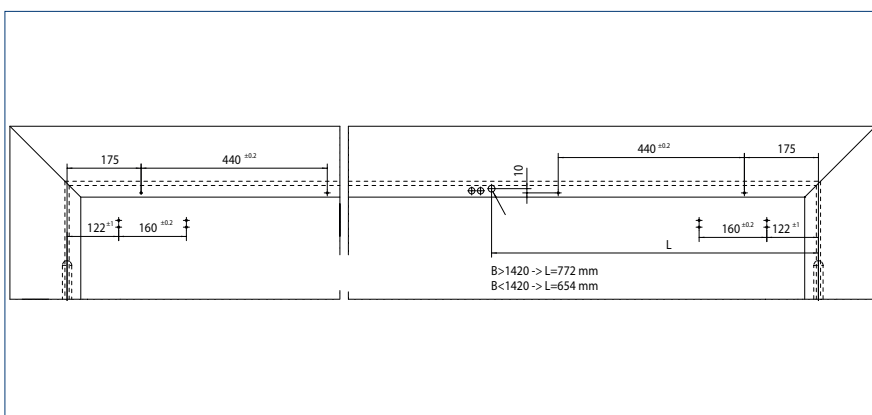
INSTALLATION WITH MOUNTING PLATE



Cross-section = installation with mounting plate



Fitting dimensions right-hand leaf = active leaf, left-hand leaf = passive leaf | 1 = ø 16 line-feed 24 V | W = door width | L = length



Fitting dimensions right-hand leaf = passive leaf, left-hand leaf = active leaf | 1 = ø 16 line-feed 24 V | W = door width | L = length

TS 5000 E-ISM – ORDER INFORMATION

Designation

TS 5000 Ecline door closer
Closing force EN 3-5, with back check (without guide rail and lever)

Version

ID no.

silver-coloured 143640
white RAL 9016 143641
stainless steel face plate 143642

acc. to RAL² 143643

TS 5000 door closer
Closing force EN 2-6, with back check (without guide rail and lever)

silver-coloured 027333
white RAL 9016 027335
stainless steel face plate 137721
black RAL 9005 076489
acc. to RAL² 027336

TS 5000 SoftClose door closer
Closing force EN 2-6, with back check and integrated latching action speed with variable adjustment, for door deceleration (without guide rail and lever)

silver-coloured 181792
white RAL 9016 183430
stainless steel face plate 183431
acc. to RAL² 181793

E-ISM guide rail TS 5000
Continuous, with integrated closing sequence control, electric hold-open device on both leaves and levers

silver-coloured 115600
white RAL 9016 115602
stainless steel optic¹ 115603
acc. to RAL² 115604

E-ISM guide rail TS 5000 extra length
Continuous, overlength up to 3200 mm, with integrated closing sequence control, electric hold-open device on both leaves, and levers

silver-coloured 115612
acc. to RAL² 115613

TS 5000 E-ISM – ORDER INFORMATION

Designation	Version	ID no.
E-ISM/G guide rail TS 5000 Continuous, with integrated closing sequence control, electric hold-open device on the active leaf, and levers	silver-coloured	115605
	stainless steel optic ¹	115606
	acc. to RAL ²	115607
E-ISM/S guide rail TS 5000 Continuous, with integrated closing sequence control, electric hold-open device on the passive leaf and levers	silver-coloured	160547
	stainless steel optic ¹	162088
	acc. to RAL ²	160548
TS 5000 L door closer Closing force EN 2-6, with back check (without guide rail and lever)	silver-coloured	027351
	white RAL 9016	029400
	stainless steel face plate	137723
	black RAL 9005	119579
	acc. to RAL ²	027352
TS 5000 L Ecline door closer Closing force EN 3-5, with back check (without guide rail and lever)	silver-coloured	143648
	white RAL 9016	143649
	stainless steel face plate	143650
	acc. to RAL ²	143651
E-ISM guide rail BG TS 5000 Continuous, with integrated closing sequence control, electric hold-open device on both leaves and levers	silver-coloured	115608
	white RAL 9016	115609
	stainless steel optic ¹	115610
	acc. to RAL ²	115611
E-ISM guide rail BG VPK TS 5000 complete package System solution for general use on full panic doors comprising 1 x TS 5000 L, 1 x TS 5000 L-IS, 1 x CB flex, 1 x E-ISM BG guide rail with electric hold-open device on both leaves, continuous, with integrated release mechanism and levers	silver-coloured	182644
	black RAL 9005	195795
	acc. to RAL ²	182645
INSTALLATION MATERIAL		
Mounting plate guide rail For ISM- / E-ISM guide rails	silver-coloured	118702
	acc. to RAL ²	118703
Mounting plate door closer For TS 5000/TS 4000 with hole pattern according to DIN EN 1154 Supplement 1	silver-coloured	049185
	white RAL 9016	068627
	galvanised	057956
	stainless steel optic ¹	137725
	black RAL 9005	076508
	acc. to RAL ²	029176
Mounting plate guide rail BG for ISM / E-ISM / R-ISM guide rail BG & VP versions	silver-coloured	118704
	acc. to RAL ²	118705
Lintel casing bracket guide rail BG for ISM / E-ISM / R-ISM guide rail BG	silver-coloured	118706
	acc. to RAL ²	118707
Mounting plate guide rail BG for ISM/E-ISM BG VPK guide rail	silver-coloured	139757
	acc. to RAL ²	139760
Lintel casing bracket guide rail BG for ISM/E-ISM BG VPK guide rail	silver-coloured	139710
	acc. to RAL ²	139763
ACCESSORIES		
Cover cap door closer For TS 5000/TS 5000 L/TS 4000, can only be used for door leaf installation	silver-coloured	067724
	white RAL 9016	067726
	stainless steel	072696
	brass	072698
	acc. to RAL ²	000756
Flexible opening restrictor For single leaf guide rails: TS 5000 E/R/RFS (door leaf installation), Boxer E; double leaf: all E/R/ISM variants TS 5000 and Boxer		145311

TS 5000 E-ISM – ORDER INFORMATION

Designation	Version	ID no.
CB flex For use on all double leaf rebated doors. Concealed length adjustment with variable adjustment up to 210 mm leaf protrusion, hinged mechanism not visible, profile can be shortened if required, with attachment material	silver-coloured	153602
	white RAL 9016	182652
	black RAL 9005	195798
	acc. to RAL ²	153728
Ramp up wedge For use with the GEZE CB flex carry bar	silver-coloured	199544
	white RAL 9016	199546
	acc. to RAL ²	199951
RSZ 7 smoke switch control unit Smoke switch and power supply for all GEZE hold-open devices	silver-coloured	181025
	white RAL 9016	185195
	stainless steel optic ¹	184196
	acc. to RAL ²	185231
FA GC 170 wireless kit Set consisting of: 1 piece GC 171 wireless module for the wireless extension of GEZE hold-open systems		195524
GC 171 wireless module for the wireless connection of wireless components (GC 172 wireless smoke detector; GC 173 wireless thermal detector; GC 175 wireless input module) on GEZE hold-open systems	anthracite	163051
GC 172 wireless smoke detector for the wireless connection to GEZE hold-open systems, battery-operated with 8 years battery lifetime, with base, tested in accordance with EN 54-7 and EN 54-25, general construction technique permit for use with all GEZE hold-open systems	white RAL 9016	195522
GC 173 wireless thermal detector for the wireless connection to GEZE hold-open systems, battery-operated with 8 years battery lifetime, with base, tested in accordance with EN 54-7 and EN 54-25, general construction technique permit for use with all GEZE hold-open systems	white RAL 9016	195523
GC 175 wireless input module for wireless connection of manual trigger switches to the GEZE GC 171 wireless module, applicable for all GEZE hold-open systems	black	163068
GC 152 smoke detector Complete with base, 24 V DC, 20 mA, tested in accordance with EN54-7, with general official building approval for use with all GEZE hold-open systems, integrated line monitoring, conform with DIN EN 14637	white	139850
GC 153 wireless thermal detector Complete with base, 24 V DC, 20 mA, tested in accordance with EN54-5, with general official building approval for use with all GEZE hold-open systems, integrated line monitoring, conform with DIN EN 14637	white	139881
AS 500 manual trigger switch for the manual release of electrically controlled hold-open devices including terminating resistor for line monitoring	alpine white/red	116266
AS 500 manual trigger switch (with glass pane and 5 interchangeable labels) for the manual release of electrically controlled hold-open devices	alpine white/red	120880
Surface-mounted box, single Matching the AS 500 switch programme	white	120503
Replacement glass pane for manual trigger switch 120880 and 120881		010994
Hold-open magnet 24 V DC – 490 N retention force, approved for all GEZE smoke switch control units Wall installation surface-mounted installation or floor mounting with accessories base		155569
Hold-open magnet 24 V DC – 490 N retention force, approved for all GEZE smoke switch control units Flush-mounted wall installation		155567
Hold-open magnet 24 V DC – 490 N retention force, approved for all GEZE smoke switch control units Wall installation with base 65 mm		155573
Magnetic counter plate for hold-open magnets Version with adjustable joint		115956
Mechanical hold-open unit For ISM guide rail, retention force adjustable, can be overridden		118437

¹ Only for dry rooms | ² Surcharge for RAL special colours, see General Notes in the Price List.

TS 5000 R-ISM



Overhead door closer system with guide rail for double leaf doors with closing sequence control and smoke switch

AREAS OF APPLICATION

- Fire and smoke protection doors
- Double leaf single-action doors
- Symmetrical and asymmetrical division of door possible
- Single-action doors up to 2800 mm hinge clearance, 1400 mm leaf width and overlength up to 3200 mm
- Minimum hinge clearance 1500 mm, minimum width of the active leaf 875 mm and of the passive leaf 400 mm
- Door leaf installation on hinge side

PRODUCT FEATURES

- System with two TS 5000 door closers and a R-ISM guide rail
- Adjustable closing force of EN2-6
- Operating voltage 230 V AC
- Can be used for right and left hand doors without conversion
- Closing sequence control holds the active leaf in the waiting position until the passive leaf is closed
- Integrated smoke switch control unit, with a signal that closes the door automatically in the event of a fire
- Smoke switch with contamination indicator and adaption of the alarm threshold
- Additional smoke detectors can be fitted
- Electric hold-open device in the guide rail with hold-open area of 80°-130°
- Hydraulic latching action which accelerates the door shortly before the closed position
- Closing speed can be individually adjusted
- Integrated back check, slows down doors that are thrown open forcefully
- Visual closing force display for easy control of the setting
- All functions can be adjusted from the front

TECHNICAL DATA FOR DOOR CLOSER

	TS 5000 ECline / TS 5000 L ECline	TS 5000 / TS 5000 L	TS 5000 SoftClose
PRODUCT FEATURES			
Closing force acc. to EN 1154	3 – 5	2 – 6	2 – 6
Leaf width recommended up to	1250 mm	1400 mm	1400 mm
Identical design DIN left and DIN right	●	●	●
Product tested in accordance with	Door closer tested acc. to EN 1154		
Suitability for fire protection doors	●	●	●
Mounting plate with hole pattern in accordance with EN1154 Supplement	●	●	●
Length	287 mm		
Overall depth	47 mm		
Height	60 mm		
FUNCTIONS			
Closing force adjustable	Yes, with variable adjustment		
Closing speed adjustable	●	●	●
Latching action speed adjustable			Yes, via valve*
Latching action adjustable	Yes, via valve		
Back check integrated	Yes, hydraulically adjustable		
Closing force adjustment position	Front		
Visual closing force display	●	●	●
Safety valve to prevent wilful damage	●	●	●
Thermo-constant valves	●	●	●

● = yes | ○ = optional | * = to decelerate or accelerate the door between 15° and 0°

TECHNICAL DATA FOR GUIDE RAIL

	R-ISM TS 5000 / R-ISM/S TS 5000 / R-ISM/O TS 5000 / R-ISM/G TS 5000	R-ISM BG TS 5000	R-ISM BG VP TS 5000
PRODUCT FEATURES			
Minimum hinge clearance	1500 mm	1560 mm	1645 mm
Minimum passive leaf width	400 mm	380 mm	380 mm
Supply voltage	230 V 50 Hz		
Duty rating	100%		
IP rating	IP20		
Ambient temperature	0 – 50° C		
Product tested in accordance with	Hold-open device tested acc. to EN 1155 closing sequence control tested acc. to EN 1158 General official building approval from DIBt as a hold-open system		
Length	2740 mm	2730 mm	2645 mm
Overall depth	55 mm		
Height	30 mm		

R-ISM TS 5000 /
R-ISM/S TS 5000 /
R-ISM/O TS 5000 /
R-ISM/G TS 5000

R-ISM BG TS 5000

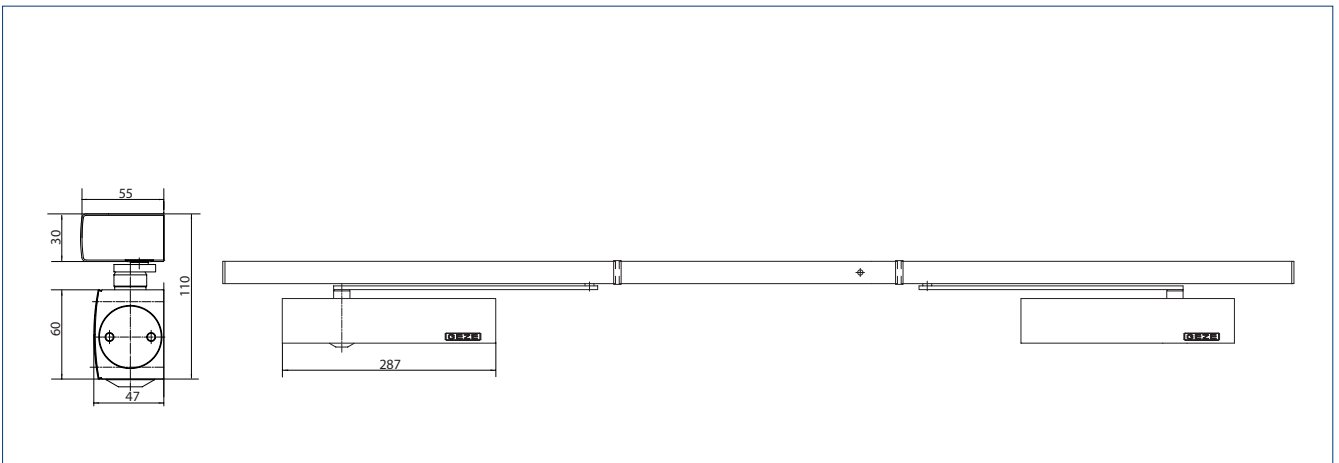
R-ISM BG VP TS 5000

FUNCTIONS

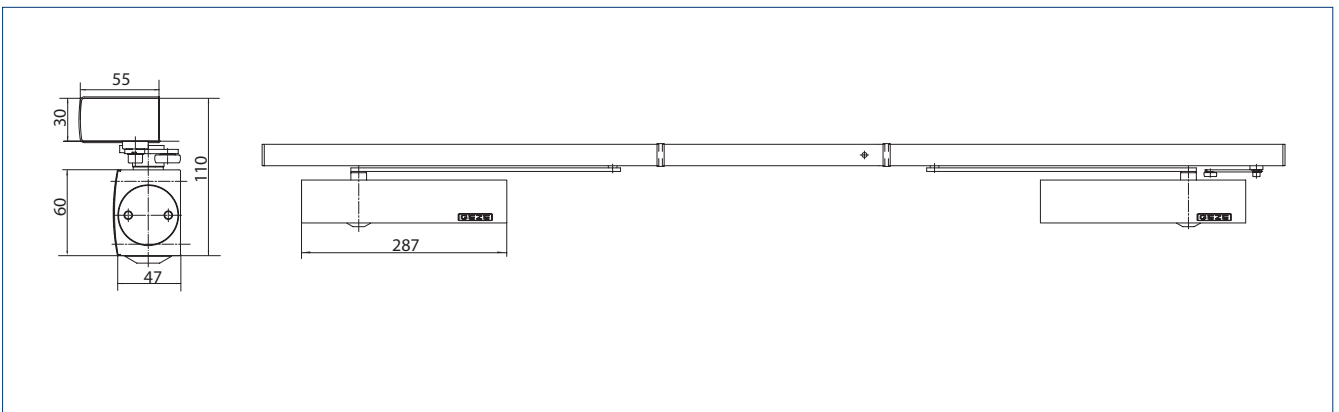
Closing sequence control integrated	●	●	●
Hold-open unit integrated		Electrical	
Hold-open unit on active leaf / passive leaf	○ / ○	● / ●	● / ●
Hold-open unit can be overridden	●	●	●
Hold-open angle	80 – 130°	above 80°	above 80°
Integrated smoke switch	●	●	●
with visual operating state display	●	●	●
with contamination indicator	●	●	●
with adaption of the alarm threshold	●	●	●
Power supply integrated	●	●	●
Height correction possible	●	●	●
Flexible opening restrictor	○	○1)	○1)

● = yes | ○ = optional | 1 can only be used to a limited extent, depending on X dimension

PRODUCT SCALE DRAWING



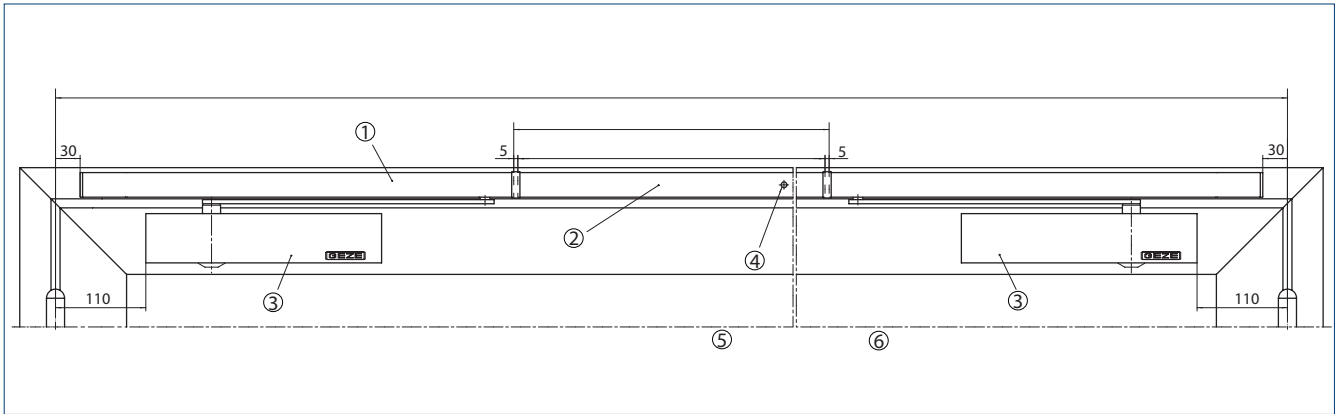
TS 5000 R-ISM | TS 5000 R-ISM/G | TS 5000 R-ISM/S | TS 5000 R-ISM/O



TS 5000 L-R-ISM / TS 5000 L-R-ISM VP

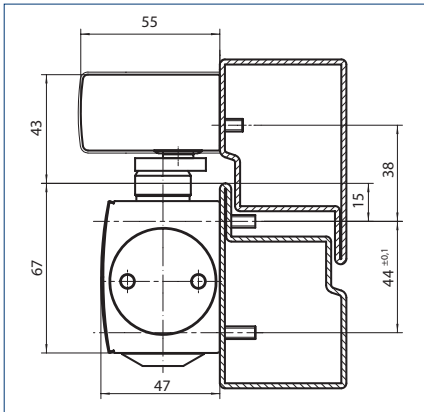
DOOR LEAF INSTALLATION/HINGE SIDE TS 5000 R-ISM / R-ISM/G / R-ISM/S / R-ISM/O

VIEW

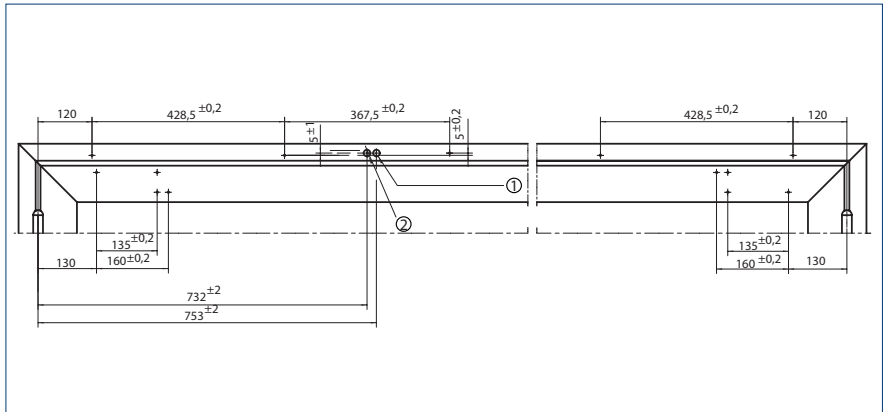


Installation example | 1 = R-ISM guide rail | 2 = middle section may be cut to size | 3 = TS 5000 | 4 = smoke switch control unit | 5 = active leaf | 6 = passive leaf

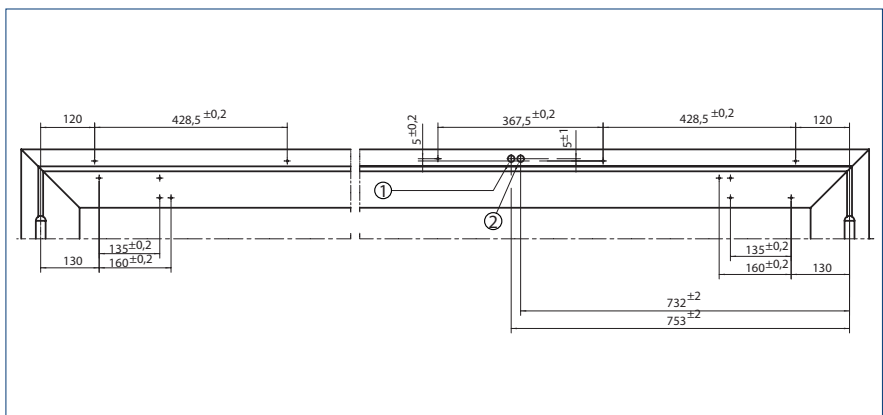
DIRECT INSTALLATION



Cross-section = direct installation

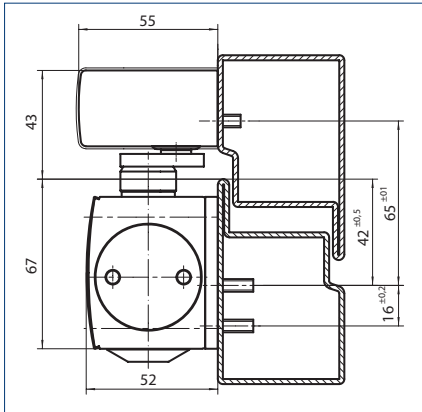


Fitting dimensions left-hand leaf = active leaf, right-hand leaf = passive leaf | 1 = ø 15 additional cable | 2 = ø 15 230 V AC

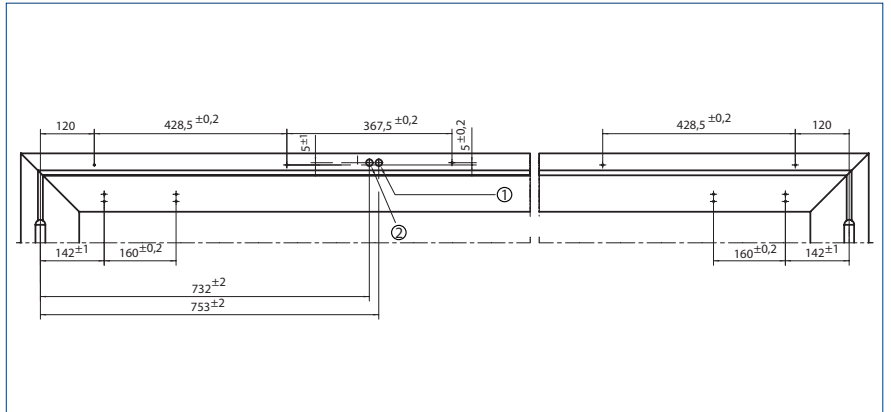


Fitting dimensions right-hand leaf = active leaf, left-hand leaf = passive leaf | 1 = ø 15 additional cable | 2 = ø 15 230 V AC

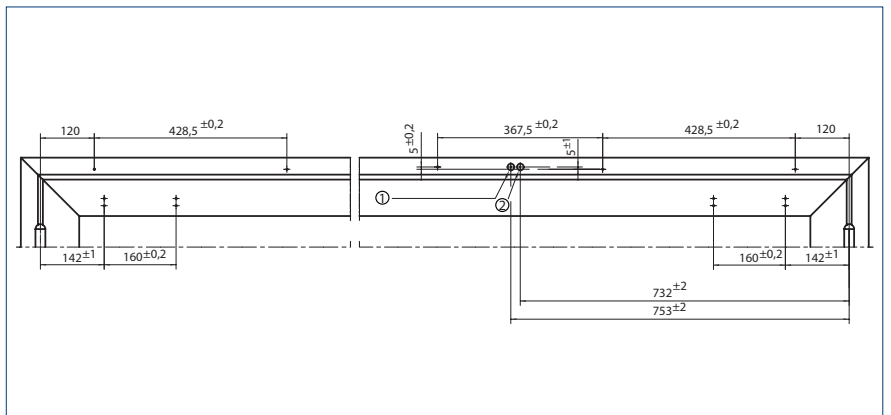
INSTALLATION WITH MOUNTING PLATE



Cross-section = installation with mounting plate



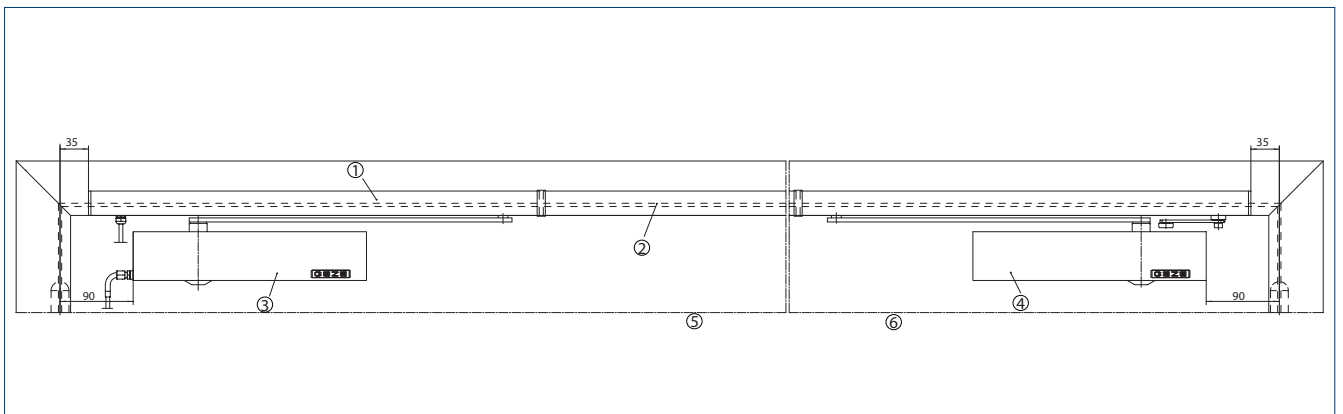
Fitting dimensions left-hand leaf = active leaf, right-hand leaf = passive leaf | 1 = ø 15 additional cable | 2 = ø 15 230 V AC



Fitting dimensions right-hand leaf = active leaf, left-hand leaf = passive leaf | 1 = ø 15 additional cable | 2 = ø 15 230 V AC

DOOR LEAF INSTALLATION/OPPOSITE HINGE SIDE TS 5000 L-R-ISM

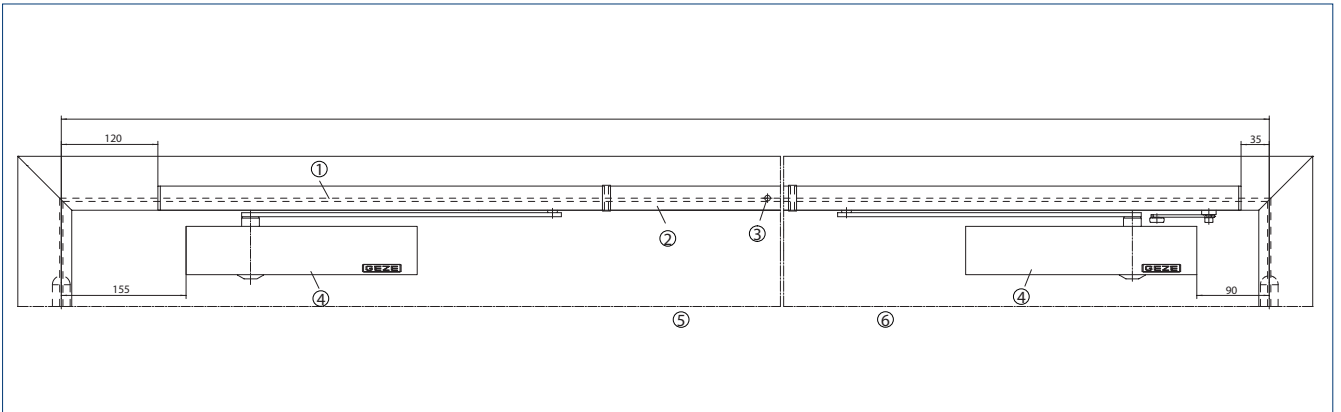
VIEW



Installation example | 1 = R-ISM guide rail BG | 2 = middle section may be cut to size | 3 = TS 5000 L | 4 = smoke switch control unit | 5 = active leaf | 6 = passive leaf

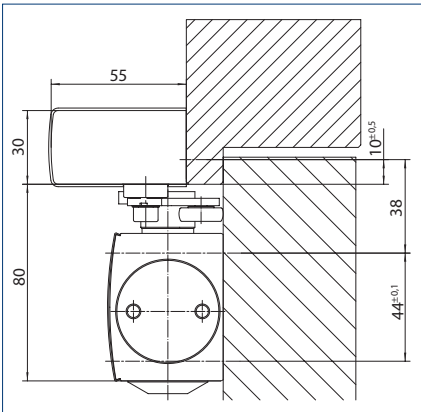
DOOR LEAF INSTALLATION/OPPOSITE HINGE SIDE TS 5000 L-R-ISM VP

VIEW

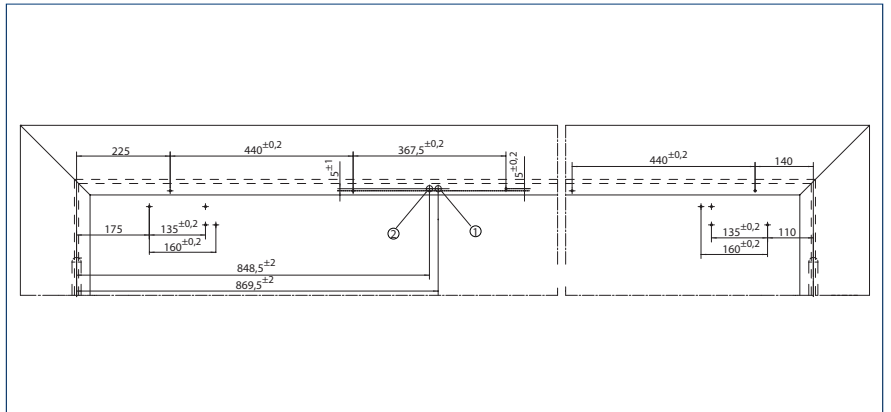


Installation example | 1 = R-ISM guide rail BG VP | 2 = middle section may be cut to size | 3 = smoke switch control unit | 4 = TS 5000 L | 5 = active leaf | 6 = passive leaf

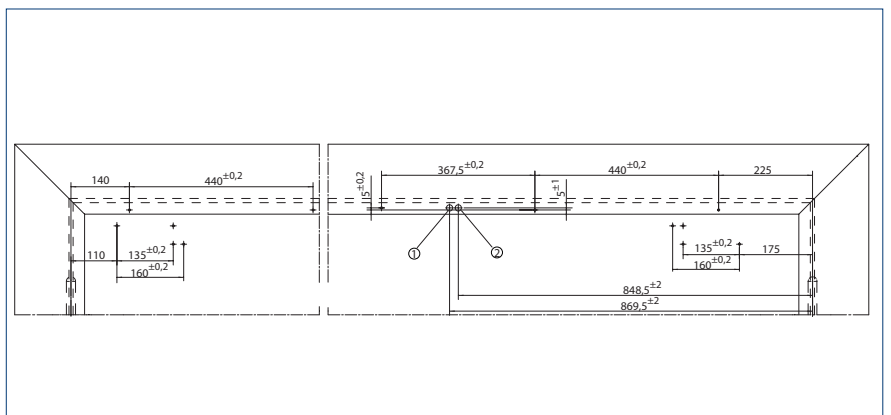
DIRECT INSTALLATION



Cross-section = direct installation

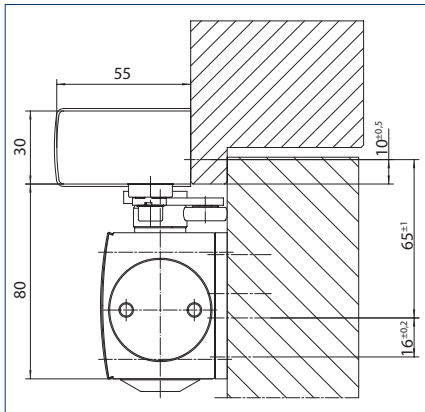


Fitting dimensions right-hand leaf = active leaf, left-hand leaf = passive leaf | 1 = ø 15 additional cable | 2 = ø 15 230 V AC

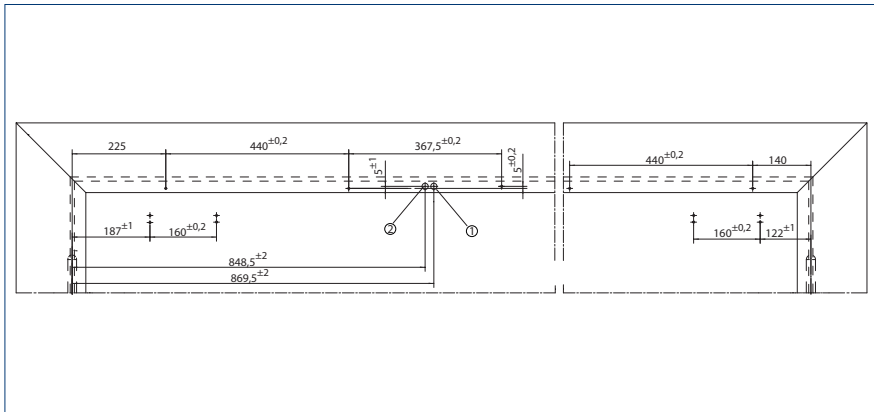


Fitting dimensions right-hand leaf = passive leaf, left-hand leaf = active leaf | 1 = ø 15 additional cable | 2 = ø 15 230 V AC

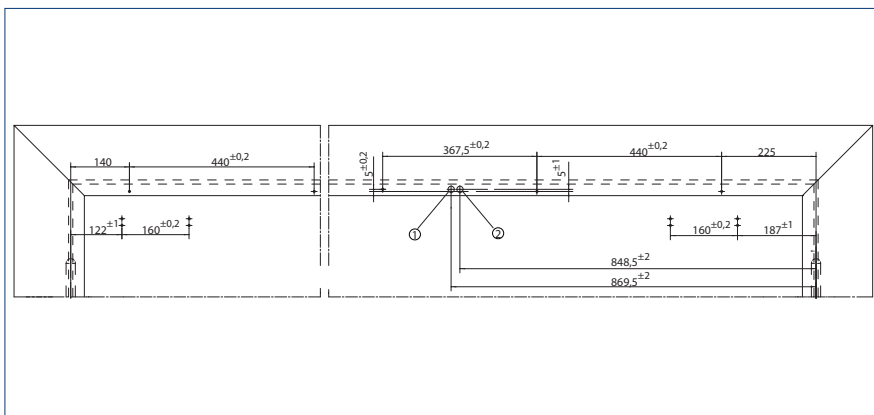
INSTALLATION WITH MOUNTING PLATE



Cross-section = installation with mounting plate



Fitting dimensions right-hand leaf = active leaf, left-hand leaf = passive leaf | 1 = ø 15 additional cable | 2 = ø 15 230 V AC



Fitting dimensions right-hand leaf = passive leaf, left-hand leaf = active leaf | 1 = ø 15 additional cable | 2 = ø 15 230 V AC

TS 5000 R-ISM – ORDER INFORMATION

Designation	Version	ID no.
TS 5000 ECLine door closer Closing force EN 3-5, with back check (without guide rail and lever)	silver-coloured	143640
	white RAL 9016	143641
	stainless steel face plate	143642
	acc. to RAL ²	143643
TS 5000 door closer Closing force EN 2-6, with back check (without guide rail and lever)	silver-coloured	027333
	white RAL 9016	027335
	stainless steel face plate	137721
	black RAL 9005	076489
acc. to RAL ²	027336	
TS 5000 SoftClose door closer Closing force EN 2-6, with back check and integrated latching action speed with variable adjustment, for door deceleration (without guide rail and lever)	silver-coloured	181792
	white RAL 9016	183430
	stainless steel face plate	183431
	acc. to RAL ²	181793
R-ISM guide rail TS 5000 Continuous, with integrated closing sequence control, electric hold-open device on both leaves, smoke switch control unit and levers	silver-coloured	115614
	white RAL 9016	115616
	stainless steel optic ¹	115617
	acc. to RAL ²	115618
R-ISM guide rail TS 5000 extra length Continuous, overlength up to 3200 mm, with integrated closing sequence control, electric hold-open device on both leaves, smoke switch control unit and levers	silver-coloured	115626
	acc. to RAL ²	115627
R-ISM/G guide rail TS 5000 Continuous, with integrated closing sequence control, electric hold-open device on the active leaf, smoke switch control unit and levers	silver-coloured	115619
	stainless steel optic ¹	115620
	acc. to RAL ²	115621
R-ISM/S guide rail TS 5000 Continuous, with integrated closing sequence control, electric hold-open device on the passive leaf, smoke switch control unit and levers	silver-coloured	160545
	stainless steel optic ¹	162089
	acc. to RAL ²	160546
R-ISM/O guide rail TS 5000 Continuous, with integrated closing sequence control, smoke switch control unit and levers, without electric hold-open device	silver-coloured	160543
	stainless steel optic ¹	162090
	acc. to RAL ²	160544
TS 5000 L door closer Closing force EN 2-6, with back check (without guide rail and lever)	silver-coloured	027351
	white RAL 9016	029400
	stainless steel face plate	137723
	black RAL 9005	119579
acc. to RAL ²	027352	
TS 5000 L ECLine door closer Closing force EN 3-5, with back check (without guide rail and lever)	silver-coloured	143648
	white RAL 9016	143649
	stainless steel face plate	143650
	acc. to RAL ²	143651
R-ISM guide rail BG TS 5000 Continuous, with integrated closing sequence control, electric hold-open device on both leaves, smoke switch control unit and levers	silver-coloured	115622
	white RAL 9016	115623
	stainless steel optic ¹	115624
	acc. to RAL ²	115625
R-ISM guide rail BG VP TS 5000 Continuous, with integrated closing sequence control, electric hold-open device on both leaves, smoke switch control unit and levers, especially for full panic doors. Caution: maximum X dimension (centre of hinge – contact area of guide rail) 100 mm including mounting plate	silver-coloured	133711
	white RAL 9016	133712
	stainless steel optic ¹	133713
	acc. to RAL ²	133714

TS 5000 R-ISM – ORDER INFORMATION

Designation	Version	ID no.
INSTALLATION MATERIAL		
Mounting plate guide rail For R-ISM guide rail	silver-coloured	118690
	acc. to RAL ²	118701
Mounting plate door closer For TS 5000/TS 4000 with hole pattern according to DIN EN 1154 Supplement 1	silver-coloured	049185
	white RAL 9016	068627
	galvanised	057956
	stainless steel optic ¹	137725
	black RAL 9005	076508
	acc. to RAL ²	029176
Mounting plate guide rail BG For ISM / E-ISM / R-ISM guide rail BG & VP versions	silver-coloured	118704
	acc. to RAL ²	118705
Lintel casing bracket guide rail BG For ISM / E-ISM / R-ISM guide rail BG	silver-coloured	118706
	acc. to RAL ²	118707
Lintel casing bracket guide rail BG For ISM / E-ISM / R-ISM guide rail VP	silver-coloured	134816
	acc. to RAL ²	134817
ACCESSORIES		
FA GC 170 wireless KIT Set consisting of: 1 piece GC 171 wireless module for the wireless extension of GEZE hold-open systems		195524
GC 171 wireless module for the wireless connection of wireless components (GC 172 wireless smoke detector; GC 173 wireless thermal detector; GC 175 wireless input module) on GEZE hold-open systems	anthracite	163051
GC 172 wireless smoke detector for the wireless connection to GEZE hold-open systems, battery-operated with 8 years battery lifetime, with base, tested in accordance with EN 54-7 and EN 54-25, general construction technique permit for use with all GEZE hold-open systems	white RAL 9016	195522
GC 173 wireless thermal detector for the wireless connection to GEZE hold-open systems, battery-operated with 8 years battery lifetime, with base, tested in accordance with EN 54-7 and EN 54-25, general construction technique permit for use with all GEZE hold-open systems	white RAL 9016	195523
GC 175 wireless input module for wireless connection of manual trigger switches to the GEZE GC 171 wireless module, applicable for all GEZE hold-open systems	black	163068
Cover cap door closer For TS 5000/TS 5000 L/TS 4000, can only be used for door leaf installation	silver-coloured	067724
	white RAL 9016	067726
	stainless steel	072696
	brass	072698
	acc. to RAL ²	000756
Flexible opening restrictor For single leaf guide rails: TS 5000 E/R/RFS (door leaf installation), Boxer E; double leaf: all E/R/ISM variants TS 5000 and Boxer		145311
CB flex For use on all double leaf rebated doors. Concealed length adjustment with variable adjustment up to 210 mm leaf protrusion, hinged mechanism not visible, profile can be shortened if necessary, with attachment material	silver-coloured	153602
	white RAL 9016	182652
	black RAL 9005	195798
	acc. to RAL ²	153728
Ramp up wedge For use with the GEZE CB flex carry bar	silver-coloured	199544
	white RAL 9016	199546
	acc. to RAL ²	199951
GC 152 smoke detector Complete with base, 24 V DC, 20 mA, tested in accordance with EN54-7, with general official building approval for use with all GEZE hold-open systems, integrated line monitoring, conform with DIN EN 14637	white	139850
GC 153 wireless thermal detector Complete with base, 24 V DC, 20 mA, tested in accordance with EN54-5, with general official building approval for use with all GEZE hold-open systems, integrated line monitoring, conform with DIN EN 14637	white	139881
AS 500 manual trigger switch for the manual release of electrically controlled hold-open devices including terminating resistor for line monitoring	alpine white/red	116266

TS 5000 R-ISM – ORDER INFORMATION

Designation	Version	ID no.
AS 500 manual trigger switch for the manual release of electrically controlled hold-open devices including terminating resistor for line monitoring	alpine white/red	120880
Surface-mounted box, single Matching the AS 500 switch programme	white	120503
Replacement glass pane For manual trigger switch 120880 and 120881		010994
Hold-open magnet 24 V DC – 490 N retention force, approved for all GEZE smoke switch control units, wall installation surface-mounted installation or floor mounting with accessories base		155569
Hold-open magnet 24 V DC – 490 N retention force, approved for all GEZE smoke switch control units, flush-mounted wall installation		155567
Hold-open magnet 24 V DC – 490 N retention force, approved for all GEZE smoke switch control units Wall installation with base 65 mm		155573
Magnetic counter plate for hold-open magnets Version with adjustable joint		115956

1 Only for dry rooms | 2 Surcharge for RAL special colours, see General Notes in the Price List.



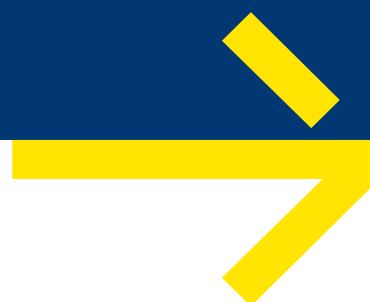
TS 5000 R-ISM overhead door closer with guide rail, Olga Hospital Stuttgart, Germany (Photo: Jürgen Pollak / GEZE GmbH)



SWING DOOR

For double leaf doors with free swing function

Whether in hospitals, care homes, department stores or gyms – in many buildings, double leaf doors must remain open in order to provide enough space for people or transport. GEZE overhead door closers with guide rails, free swing and comfort hold-open function can be used perfectly here. Because you can open the door system without effort, hold it open permanently if needed and yet be reassured that the door will close safely and reliably in the event of danger.



TS 5000 ISM/E-ISM/R-ISM with free swing function



Overhead door closer system with guide rail for double leaf doors up to 2800 mm hinge clearance with integrated closing sequence control and free swing function on the active leaf

AREAS OF APPLICATION

- Fire and smoke protection doors
- Right and left double leaf single-action doors
- Symmetrical and asymmetrical division of door possible
- Single-action doors up to 2800 mm hinge clearance and 1400 mm leaf width
- Minimum hinge clearance 1300 mm, minimum width of passive leaf 400 mm
- Door leaf installation on hinge side

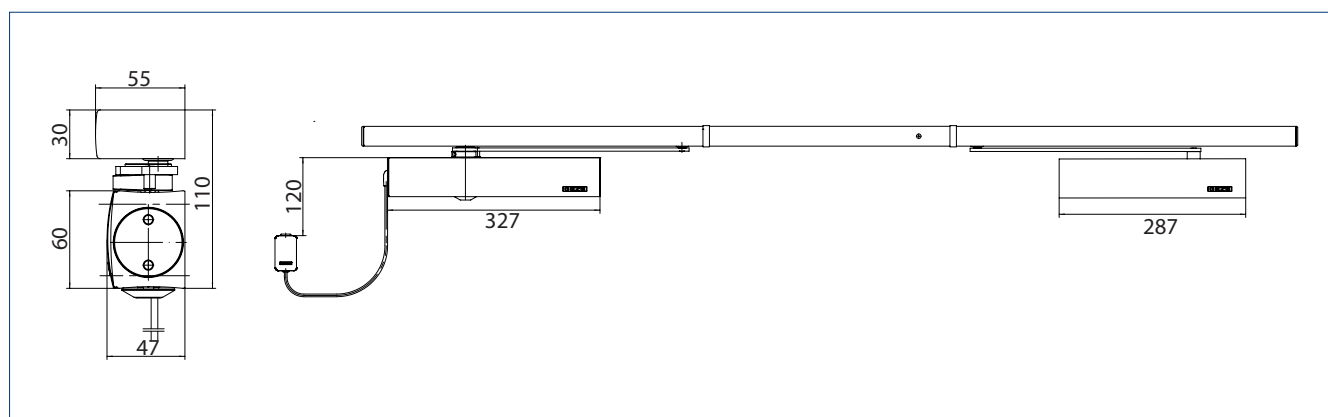
PRODUCT FEATURES

- System comprising TS 5000 E Hy 3-6 and TS 5000 and ISM guide rail
- Passive leaf with TS 5000 with closing force EN2-6 or TS 5000 Ecline with closing force EN3-5
- Active leaf with TS 5000 E Hy (24 V) and adjustable closing force EN3-6
- Can be used for right and left hand doors without conversion
- Closing sequence control holds the active leaf in the waiting position until the passive leaf is closed
- Comfort hold-open function on the active leaf to lock the door at the maximum opening angle
- Hydraulic latching action which accelerates the door shortly before the closed position
- Integrated back check, slows down doors that are thrown open forcefully
- Visual closing force display for easy control of the setting
- All functions can be adjusted from the front

TECHNICAL DATA FOR DOOR CLOSER

	TS 5000 ECLine / TS 5000 LECLine	TS 5000 / TS 5000 L	TS 5000 SoftClose	TS 5000 E Hy
PRODUCT FEATURES				
Closing force acc. to EN 1154	3 – 5	2 – 6	2 – 6	3 – 6
Leaf width recommended up to	1250 mm	1400 mm	1400 mm	1400 mm
Identical design DIN left and DIN right	●	●	●	●
Product tested in accordance with	Door closer tested acc. to EN 1154			
Suitability for fire protection doors	●	●	●	●
Mounting plate with hole pattern in accordance with EN1154 Supplement	●	●	●	●
Length	287 mm	287 mm	287 mm	327 mm
Overall depth	47 mm	47 mm	47 mm	46 mm
Height	60 mm			
FUNCTIONS				
Free swing function				●
Free swing area				85° – 170°
Closing force adjustable	Yes, with variable adjustment			
Closing speed adjustable	●	●	●	●
Latching action speed adjustable			Yes, via valve*	
Latching action adjustable	Yes, via valve			
Back check integrated	Yes, hydraulically adjustable			
Closing force adjustment position	Front			
Visual closing force display	●	●	●	●
Safety valve to prevent wilful damage	●	●	●	●
Thermo-constant valves	●	●	●	●

● = yes | ○ = optional | * = to decelerate or accelerate the door between 15° and 0°

PRODUCT SCALE DRAWING


TS 5000 ISM | TS 5000 E-ISM/S | TS 5000 R-ISM/S | TS 5000 R-ISM/O

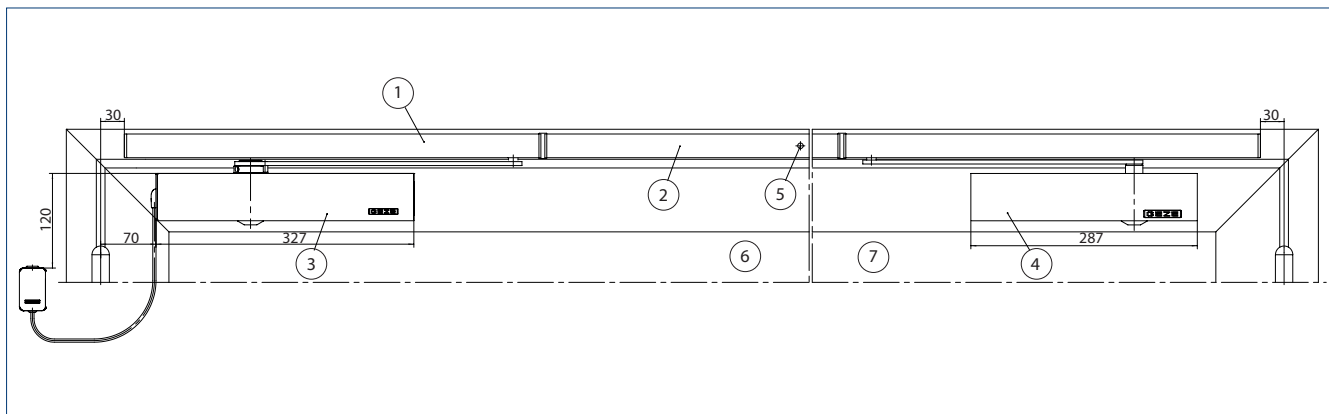
TECHNICAL DATA FOR GUIDE RAIL

	ISM TS 5000	E-ISM/S TS 5000	R-ISM/S TS 5000 R-ISM/O TS 5000
PRODUCT FEATURES			
Minimum hinge clearance	1300 mm	1300 mm	1500 mm
Minimum passive leaf width		400 mm	
Supply voltage	24 V DC	24 V DC	230 V 50 Hz
Duty rating		100 %	
IP rating	–	IP43	IP20
Ambient temperature		0 – 50° C	
Product tested in accordance with	Tested acc. to EN 1158	Tested acc. to EN 1155 / EN 1158	Tested acc. to EN 1155 / EN 1158
Length	2630 mm	2630 mm	2740 mm
Overall depth	40 mm	40 mm	55 mm
Height		30 mm	
FUNCTIONS			
Free swing function on the active leaf	○	○	○
Free swing area		85° – 170°	
Closing sequence control integrated	●	●	●
Hold-open unit integrated		Electrical	
Hold-open unit on active leaf / passive leaf	- / -	- / ●	- / ○
Hold-open unit can be overridden	-	●	●
Hold-open angle	-	80° – 130°	80° – 130°
Integrated smoke switch	-	-	●
with visual operating state display	-	-	●
with contamination indicator	-	-	●
with adaption of the alarm threshold	-	-	●
Power supply integrated	-	-	●
Height correction possible	●	●	●
Flexible opening restrictor	○	○	○

● = yes | ○ = optional

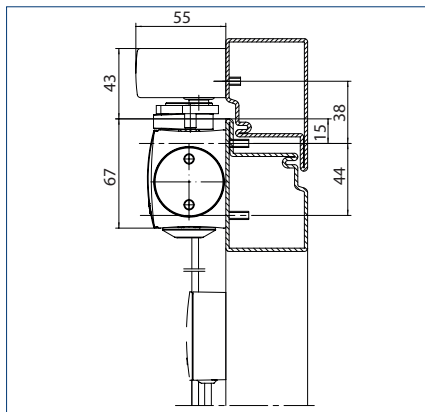
DOOR LEAF INSTALLATION/HINGE SIDE TS 5000 ISM / E-ISM / R-ISM

VIEW

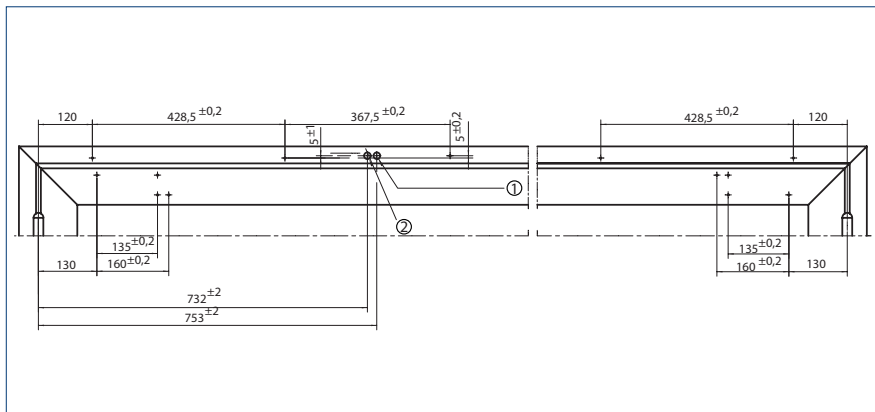


Installation example | 1 = ISM / E-ISM / R-ISM guide rail | 2 = middle section may be cut to size | 3 = TS 5000 E Hy | 4 = TS 5000 | 5 = smoke switch control unit | 6 = active leaf | 7 = passive leaf

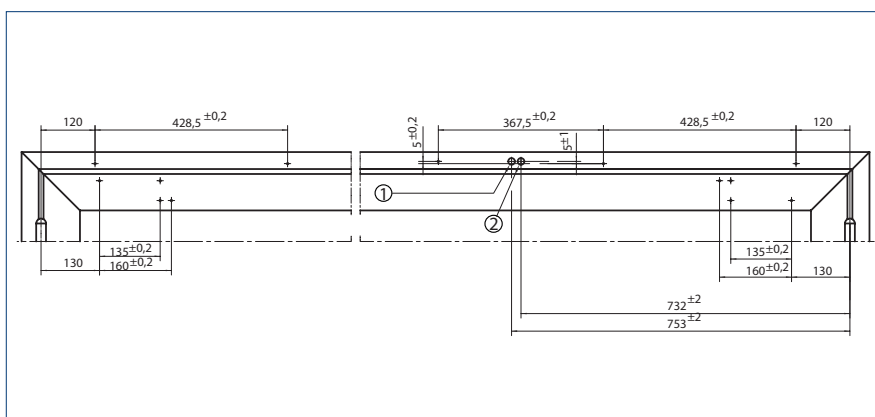
DIRECT INSTALLATION



Cross-section = direct installation

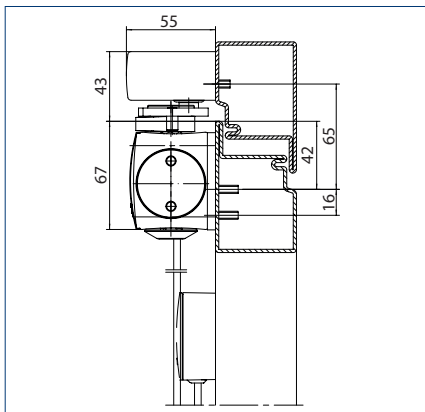


Fitting dimensions right-hand leaf = passive leaf, left-hand leaf = active leaf | 1 = \varnothing 15 additional cable (E-ISM / R-ISM) | 2 = \varnothing 15 230 V AC (R-ISM)

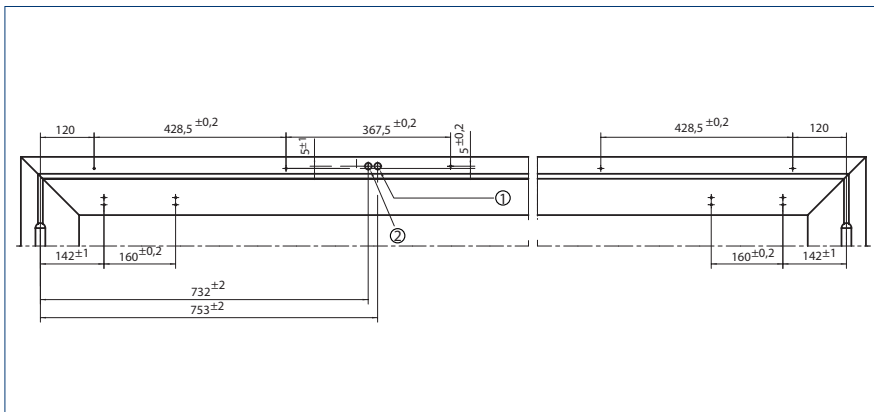


Fitting dimensions right-hand leaf = active leaf, left-hand leaf = passive leaf | 1 = \varnothing 15 additional cable (E-ISM / R-ISM) | 2 = \varnothing 15 230 V AC (R-ISM)

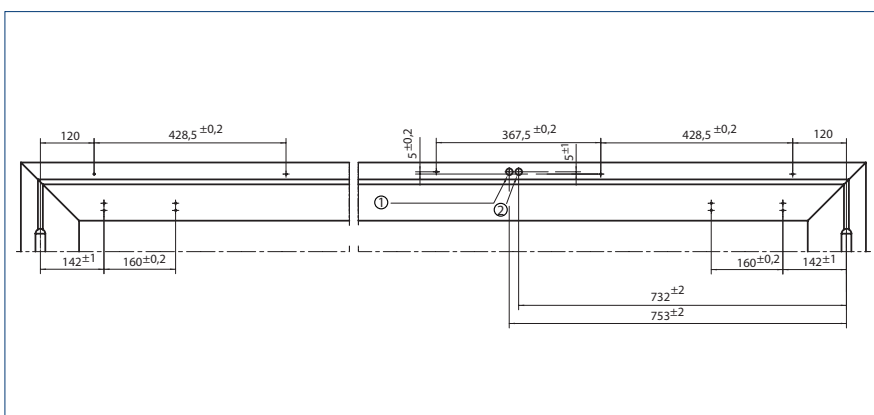
INSTALLATION WITH MOUNTING PLATE



Cross-section = installation with mounting plate



Fitting dimensions right-hand leaf = passive leaf, left-hand leaf = active leaf | 1 = ø 15 additional cable (E-ISM / R-ISM) | 2 = ø 15 230 V AC (R-ISM)



Fitting dimensions right-hand leaf = active leaf, left-hand leaf = passive leaf | 1 = ø 15 additional cable (E-ISM / R-ISM) | 2 = ø 15 230 V AC (R-ISM)

TS 5000 ISM/E-ISM/R-ISM WITH FREE SWING FUNCTION – ORDER INFORMATION

Designation	Version	ID no.
TS 5000 ECLine door closer Closing force EN 3-5, with back check (without guide rail and lever)	silver-coloured	143640
	white RAL 9016	143641
	stainless steel face plate	143642
	acc. to RAL ²	143643
TS 5000 door closer Closing force EN 2-6, with back check (without guide rail and lever)	silver-coloured	027333
	white RAL 9016	027335
	stainless steel face plate	137721
	black RAL 9005	076489
acc. to RAL ²	027336	
TS 5000 SoftClose door closer Closing force EN 2-6, with back check and integrated latching action speed with variable adjustment, for door deceleration (without guide rail and lever)	silver-coloured	181792
	white RAL 9016	183430
	stainless steel face plate	183431
	acc. to RAL ²	181793
TS 5000 E Hy door closer Closing force EN 3-6, door leaf installation on the hinge side, with electric hold-open device for free swing function (without guide rail, with lever)	silver-coloured	155475
	white RAL 9016	160328
	stainless steel optic ¹	162082
	acc. to RAL ²	155476
ISM guide rail TS 5000 Continuous, with integrated closing sequence control and levers	silver-coloured	115549
	white RAL 9016	115591
	stainless steel optic ¹	115592
	black RAL 9005	198813
acc. to RAL ²	115593	
E-ISM/S guide rail TS 5000 Continuous, with integrated closing sequence control, electric hold-open device on the passive leaf and levers	silver-coloured	160547
	stainless steel optic ¹	162088
	acc. to RAL ²	160548
R-ISM/S guide rail TS 5000 Continuous, with integrated closing sequence control, electric hold-open device on the passive leaf, smoke switch control unit and levers	silver-coloured	160545
	stainless steel optic ¹	162089
	acc. to RAL ²	160546
R-ISM/O guide rail TS 5000 Continuous, with integrated closing sequence control, smoke switch control unit and levers, without electric hold-open device	silver-coloured	160543
	stainless steel optic ¹	162090
	acc. to RAL ²	160544
INSTALLATION MATERIAL		
Mounting plate guide rail For ISM / E-ISM guide rail	silver-coloured	118702
	acc. to RAL ²	118703
Mounting plate guide rail For R-ISM- guide rail	silver-coloured	118690
	acc. to RAL ²	118701
Mounting plate door closer For TS 5000 EFS / RFS / E Hy / TS 4000 E with hole pattern according to DIN EN 1154 Supplement 1	silver-coloured	059107
	acc. to RAL ²	100044
Mounting plate door closer For TS 5000/TS 4000 with hole pattern according to DIN EN 1154 Supplement 1	silver-coloured	049185
	white RAL 9016	068627
	galvanised	057956
	stainless steel optic ¹	137725
	black RAL 9005	076508
acc. to RAL ²	029176	

TS 5000 ISM/E-ISM/R-ISM WITH FREE SWING FUNCTION – ORDER INFORMATION

Designation	Version	ID no.
ACCESSORIES		
FA GC 170 wireless kit Set consisting of: 1 piece GC 171 wireless module for the wireless extension of GEZE hold-open systems		195524
GC 171 wireless module For the wireless connection of wireless components (GC 172 wireless smoke detector; GC 173 wireless thermal detector; GC 175 wireless input module) on GEZE hold-open systems	anthracite	163051
GC 172 wireless smoke detector for the wireless connection to GEZE hold-open systems, battery-operated with 8 years battery lifetime, with base, tested in accordance with EN 54-7 and EN 54-25, general construction technique permit for use with all GEZE hold-open systems	white RAL 9016	195522
GC 173 wireless thermal detector for the wireless connection to GEZE hold-open systems, battery-operated with 8 years battery lifetime, with base, tested in accordance with EN 54-7 and EN 54-25, general construction technique permit for use with all GEZE hold-open systems	white RAL 9016	195523
GC 175 wireless input module For wireless connection of manual trigger switches to the GEZE GC 171 wireless module, applicable for all GEZE hold-open systems	black	163068
Flexible opening restrictor For single leaf guide rails: TS 5000 E/R/RFS (door leaf installation), Boxer E; double leaf: all E/R/ISM variants TS 5000 and Boxer		145311
CB flex For use on all double leaf rebated doors. Concealed length adjustment with variable adjustment up to 210 mm leaf protrusion, hinged mechanism not visible, profile can be shortened if required, with attachment material	silver-coloured	153602
	white RAL 9016	182652
	acc. to RAL ²	153728
RSZ 7 smoke switch control unit Smoke switch and power supply for all GEZE hold-open devices	silver-coloured	181025
	white RAL 9016	185195
	stainless steel optic ¹	184196
	acc. to RAL ²	185231
GC 152 smoke detector Complete with base, 24 V DC, 20 mA, tested in accordance with EN54-7, with general official building approval for use with all GEZE hold-open systems, integrated line monitoring, conform with DIN EN 14637	white	139850
GC 153 wireless thermal detector Complete with base, 24 V DC, 20 mA, tested in accordance with EN54-5, with general official building approval for use with all GEZE hold-open systems, integrated line monitoring, conform with DIN EN 14637	white	139881
AS 500 manual trigger switch For the manual release of electrically controlled hold-open devices including terminating resistor for line monitoring	alpine white/red	116266
AS 500 manual trigger switch (with glass pane and 5 interchangeable labels) for the manual release of electrically controlled hold-open devices	alpine white/red	120880
Hold-open magnet 24 V DC – 490 N retention force, approved for all GEZE smoke switch control units Wall installation surface-mounted installation or floor mounting with accessories base		155569
Hold-open magnet 24 V DC – 490 N retention force, approved for all GEZE smoke switch control units Flush-mounted wall installation		155567
Hold-open magnet 24 V DC – 490 N retention force, approved for all GEZE smoke switch control units Wall installation with base 65 mm		155573
Magnetic counter plate for hold-open magnets Version with adjustable joint		115956

1 Only for dry rooms | 2 Surcharge for RAL special colours, see General Notes in the Price List.



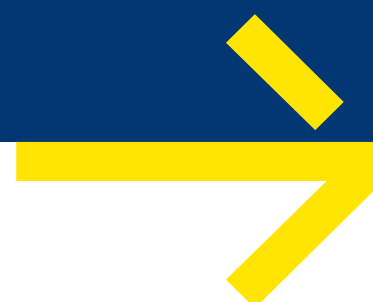
Door closer system TS 5000 R-ISM hold-open system, Olga Hospital Stuttgart, Germany (Photo: Jürgen Pollak / GEZE GmbH)



SWING DOOR

Opening restriction

No more slamming doors or marks on walls or furniture. Solutions with GEZE door dampers make this possible. The principle is almost the same as modern drawers: doors are closed and opened in a controlled, damped manner. As a result, you can enter your rooms more quietly than ever – without a door stopper as a stumbling block. Clever solutions not only ensure more safety, they also make it easier to keep floors clean.



T-stop guide rail

OPENING RESTRICTOR FOR DOORS

T-STOP GUIDE RAIL TS 5000/TS 3000



AREAS OF APPLICATION

- Single leaf doors
- Installation on hinge side
- Right and left single-action doors
- For opening restriction without door stopper

PRODUCT FEATURES

- Easy to replace with the standard guide rail
- Saves time as no floor mounted door stopper needs to be installed
- With screwed sliding block

T-STOP GUIDE RAIL WITH PIVOT BEARING



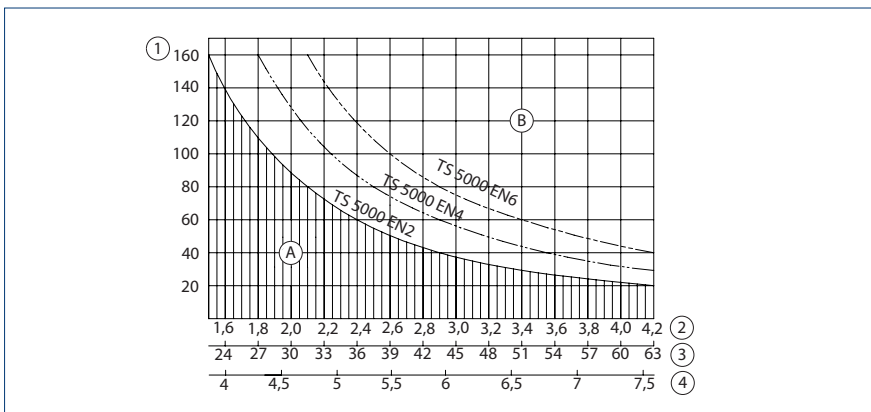
AREAS OF APPLICATION

- Right and left single-action doors
- Opening restrictor for single-action doors without door closer
- Door systems without smoke and fire protection needs
- For combining an automatic swing door drive with a TS 5000 on double leaf door systems

PRODUCT FEATURES

- Holds doors without door closer open, not self-locking
- Can be used for right and left hand doors without conversion
- The door opening angle is limited and a door stopper is usually no longer required
- Doing without door stoppers enhances the appearance of the door area, stumbling hazards and dirty corners disappear
- Crushing between door leaf and floor mounted door stopper is avoided

When do you have to use a door stopper?

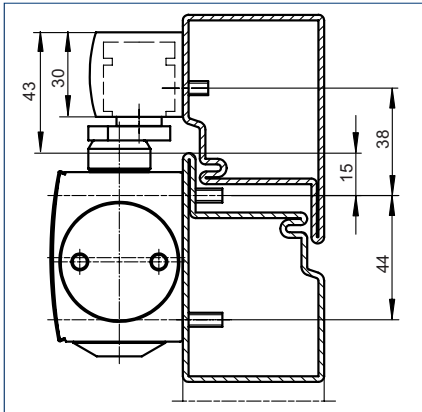


Door size (W x H): 1000 x 2200 mm

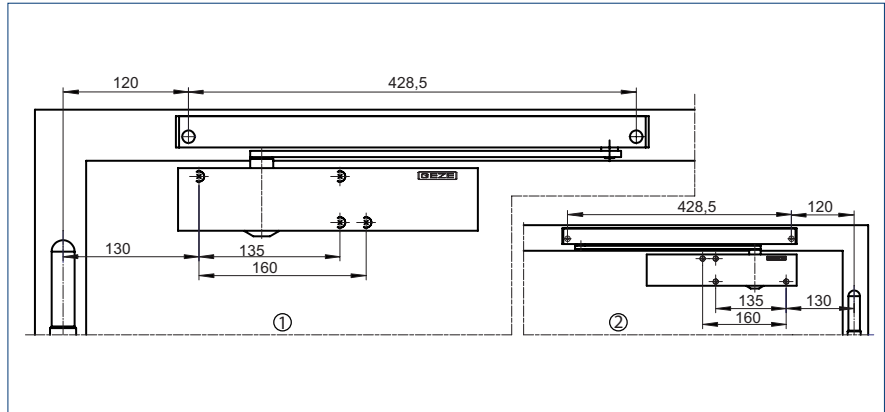
1 = door weight kg | 2 = opening speed (m/s) | 3 = wind speed (km/h) |
 4 = wind force (Bft) | A = installation without door stopper | B = installation with door stopper

**TS 5000 DIRECT INSTALLATION DOOR LEAF INSTALLATION/
HINGE SIDE WITH T-STOP GUIDE RAIL**

DIRECT INSTALLATION



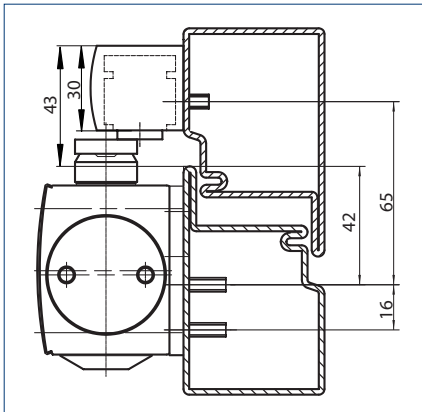
Cross-section = direct installation



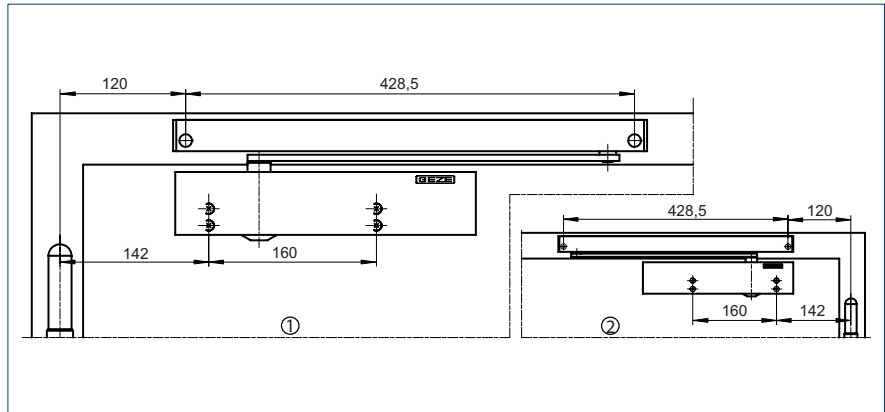
1 = Fitting dimensions DIN left | 2 = DIN right

**TS 5000 INSTALLATION WITH MOUNTING PLATE DOOR LEAF INSTALLATION/
HINGE SIDE WITH T-STOP GUIDE RAIL**

INSTALLATION WITH MOUNTING PLATE



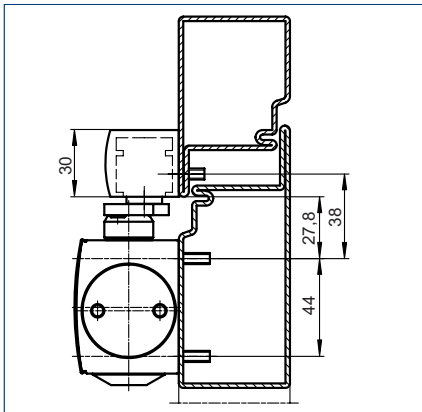
Cross-section = installation with mounting plate



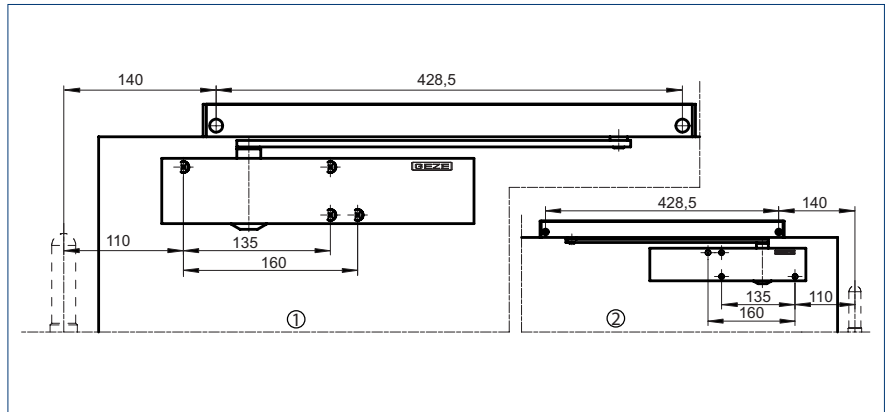
1 = Fitting dimensions DIN left | 2 = DIN right

**TS 5000 L DIRECT INSTALLATION DOOR LEAF INSTALLATION/
OPPOSITE HINGE SIDE WITH T-STOP GUIDE RAIL BG**

DIRECT INSTALLATION



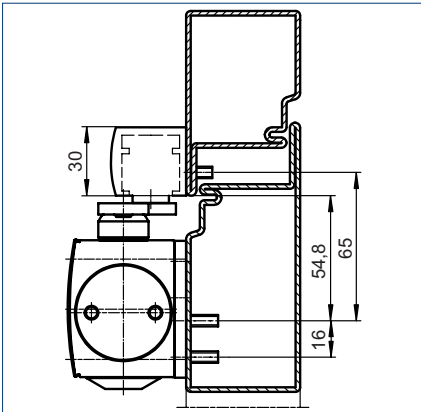
Cross-section = direct installation



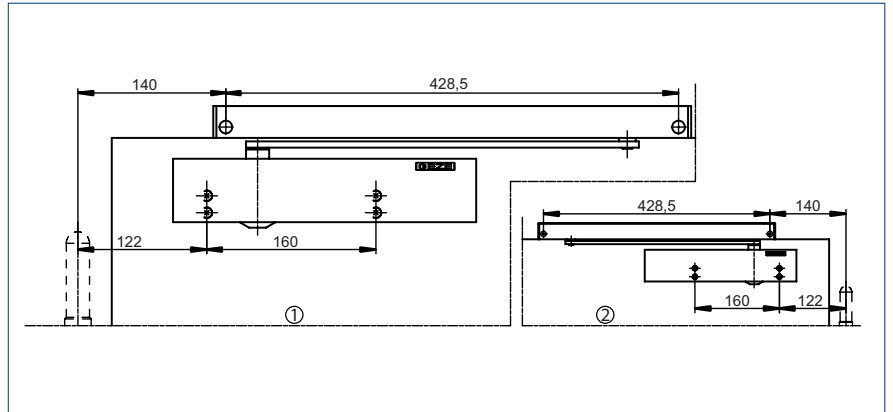
1 = Fitting dimensions DIN right | 2 = DIN left

**TS 5000 L INSTALLATION WITH MOUNTING PLATE DOOR LEAF INSTALLATION/
OPPOSITE HINGE SIDE WITH T-STOP GUIDE RAIL BG**

INSTALLATION WITH MOUNTING PLATE



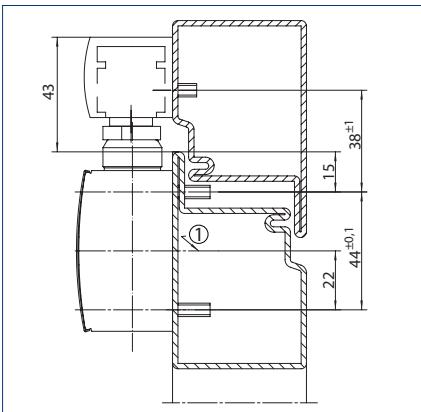
Cross-section = installation with mounting plate



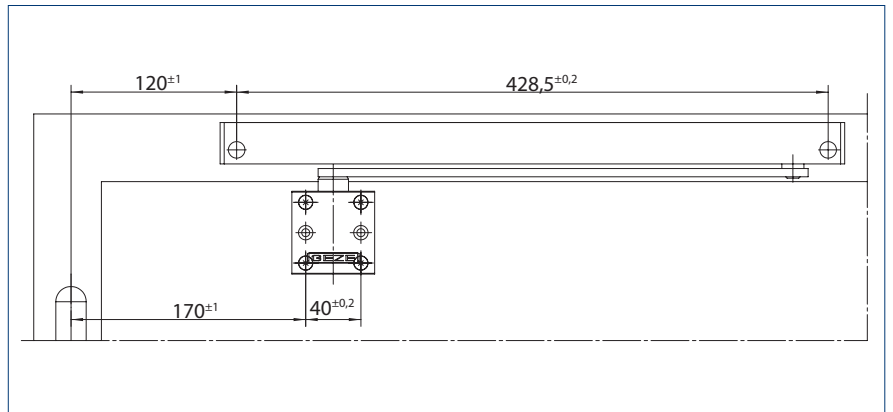
1 = Fitting dimensions DIN right | 2 = DIN left

**DOOR LEAF INSTALLATION/
HINGE SIDE T-STOP GUIDE RAIL WITH PIVOT BEARING**

DIRECT INSTALLATION

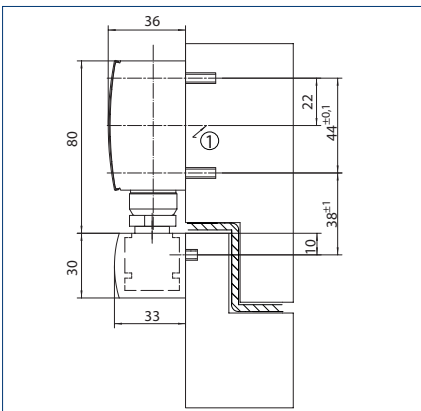


Cross-section = direct installation | 1 = optional

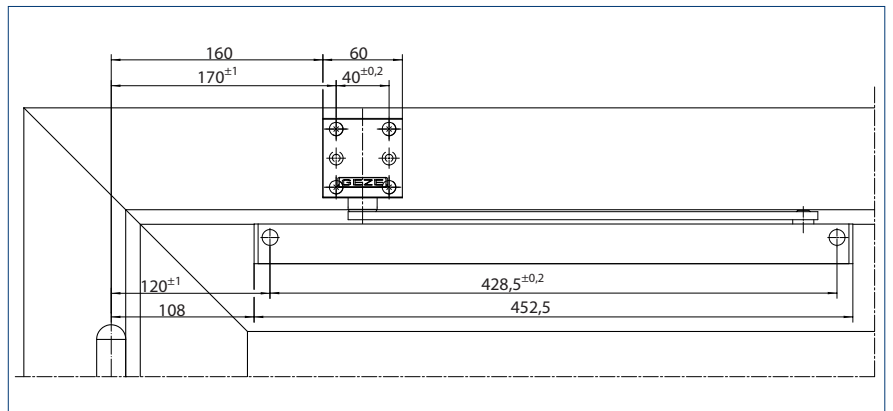


**TRANSOM INSTALLATION/
HINGE SIDE T-STOP GUIDE RAIL WITH PIVOT BEARING**

DIRECT INSTALLATION

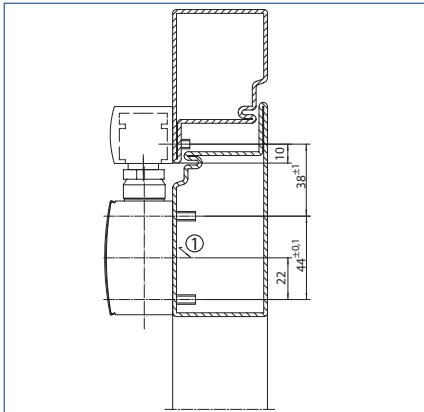


Cross-section = direct installation | 1 = optional

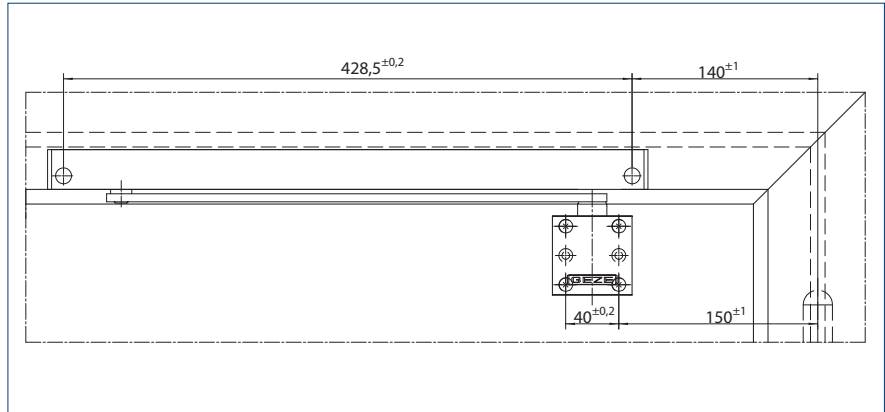


**DOOR LEAF INSTALLATION/
OPPOSITE HINGE SIDE T-STOP GUIDE RAIL BG WITH PIVOT BEARING**

DIRECT INSTALLATION

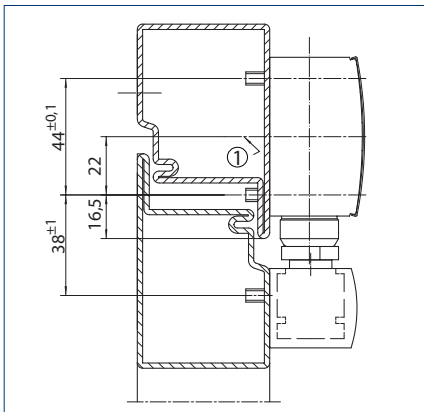


Cross-section = direct installation | 1 = optional

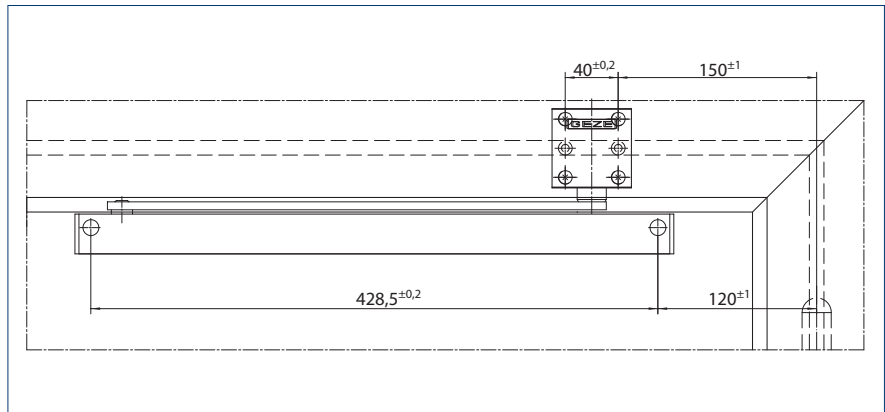


**TRANSOM INSTALLATION/
OPPOSITE HINGE SIDE T-STOP GUIDE RAIL BG WITH PIVOT BEARING**

DIRECT INSTALLATION



Cross-section = direct installation | 1 = optional



T-STOP GUIDE RAIL WITH PIVOT BEARING – ORDER INFORMATION

Designation	Version	ID no.
T-Stop guide rail TS 5000/TS 3000 With integrated opening restrictor and lever	silver-coloured	102363
	white RAL 9016	108481
	stainless steel optic ¹	102364
	acc. to RAL ²	102365
T-Stop guide rail opposite hinge side BG TS 5000/TS 3000 With integrated opening restrictor and lever, use with door closer on leaf installation opposite hinge side or with pivot bearing in leaf and transom installation opposite hinge side	silver-coloured	102366
	white RAL 9016	108482
	stainless steel optic ¹	102367
	acc. to RAL ²	102368
Pivot bearing for T-Stop guide rails Surface-mounted	silver-coloured	112688
	white RAL 9016	112689
	acc. to RAL ²	112690
INSTALLATION MATERIAL		
Mounting plate guide rail BG For standard / Ecline / T-Stop / EFS guide rail	silver-coloured	124683
	acc. to RAL ²	124684
Mounting plate guide rail For standard / Ecline / T-Stop / EFS guide rail	silver-coloured	001512
	white RAL 9016	129252
	acc. to RAL ²	104515
Lintel casing bracket guide rail BG For Ecline and T-Stop guide rail	silver-coloured	115006
	acc. to RAL ²	115007

¹ Only for dry rooms | ² Surcharge for RAL special colours, see General Notes in the Price List.



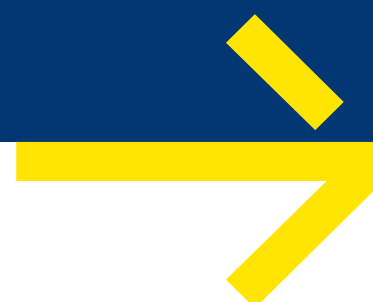
TS 5000 with T-Stop guide rail, Catholic Church Administration Building, Stuttgart, Germany (photo: Dirk Wilhelmy)



SWING DOOR

Accessories

To make your hold-open devices even safer in an emergency, we have a wide range of accessories in our product range. For example, you can opt for a GEZE smoke switch control unit. Manual or wireless – we have numerous versions on offer for you. We are more than happy to answer any questions you may have about your safe door.



RSZ 7 smoke switch control unit



Extendable smoke switch control unit
for all GEZE hold-open devices



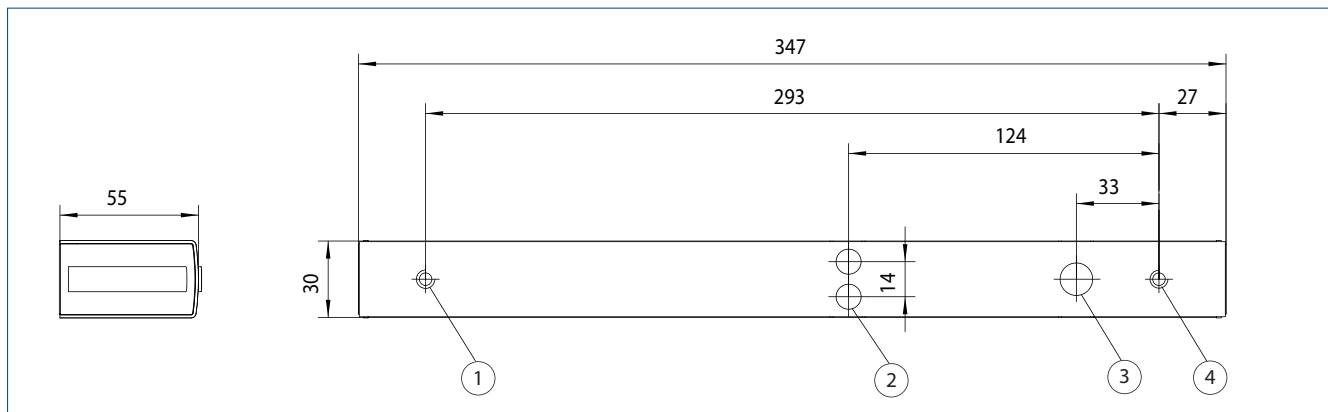
AREAS OF APPLICATION

- Approved for all GEZE hold-open devices for the early detection of fire and smoke
- Difficult lintel situations, for example with too little space above the smoke chamber
- Installation above the active leaf on the vertical wall
- Installation possible with surface-mounted line-feed

PRODUCT FEATURES

- Telescopic function for bridging overhangs of up to 30 mm
- Connection to 230 V power supply and 24 V DC supply of the hold-open device
- Power supply of the hold-open system is interrupted in the case of an alarm and the doors close
- Integrated smoke switch with automatic adaptation of the alarm threshold
- Compensates for light contamination of the smoke chamber and thus increases the service life
- Visual display of the current control panel status
- Additional smoke switches can be connected
- Surface-mounted line-feed possible

PRODUCT SCALE DRAWING



1 = threaded hole M5 | 2 = opening for additional connections | 3 = power supply (230 V) | 4 = threaded hole M5

ORDER INFORMATION

Designation	Version	ID no.
RSZ 7 smoke switch control unit Smoke switch control unit for all GEZE hold-open devices	silver-coloured	181025
	white RAL 9016	184195
	stainless steel optic ¹	184196
	acc. to RAL ²	185231

ACCESSORIES

FA GC 170 wireless kit Set consisting of: 1 piece GC 171 wireless module for the wireless extension of GEZE hold-open systems		195524
GC 171 wireless module For the wireless connection of wireless components (GC 172 wireless smoke detector; GC 173 wireless thermal detector; GC 175 wireless input module) on GEZE hold-open systems	anthracite	163051
GC 172 wireless smoke detector for the wireless connection to GEZE hold-open systems, battery-operated with 8 years battery lifetime, with base, tested in accordance with EN 54-7 and EN 54-25, general construction technique permit for use with all GEZE hold-open systems	white RAL 9016	195522
GC 173 wireless thermal detector for the wireless connection to GEZE hold-open systems, battery-operated with 8 years battery lifetime, with base, tested in accordance with EN 54-7 and EN 54-25, general construction technique permit for use with all GEZE hold-open systems	white RAL 9016	195523
GC 175 wireless input module For wireless connection of manual trigger switches to the GEZE GC 171 wireless module, applicable for all GEZE hold-open systems	black	163068
GC 152 smoke detector Complete with base, 24 V DC, 20 mA, tested in accordance with EN54-7, with general official building approval for use with all GEZE hold-open systems, integrated line monitoring, conform with DIN EN 14637	white	139850
	acc. to RAL	170523
GC 153 wireless thermal detector Complete with base, 24 V DC, 20 mA, tested in accordance with EN54-5, with general official building approval for use with all GEZE hold-open systems, integrated line monitoring, conform with DIN EN 14637	white	139881
	acc. to RAL	170524
Manual trigger switch For the manual release of electrically controlled hold-open devices including terminating resistor for line monitoring	alpine white/red	116266
Surface-mounted box, single Suitable for the AS 500 switch programme		120503
Manual trigger switch with glass pane and 5 interchangeable labels For the manual release of electrically controlled hold-open devices	alpine white/red	120880
Replacement glass pane For manual trigger switch 120880 and 120881		010994

1 Only for dry rooms | 2 Surcharge for RAL special colours, see General Notes in the price list.



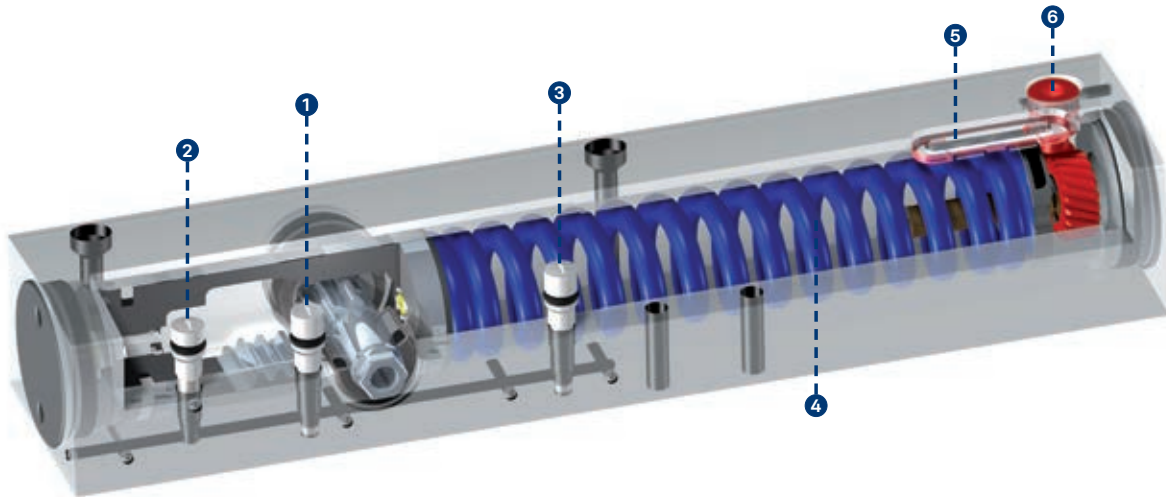
SWING DOOR

Further information

With overhead door closers with guide rails, your swing doors are always closed when they shouldn't be open. As they do not have to be manually closed, they also provide safety in the event of a fire. Tightened legal regulations make overhead door closers with guide rails essential for many doors. For every self-locking door and all other needs, GEZE always offers the matching solution. Use our many versions with a wide variety of technical and visual options.

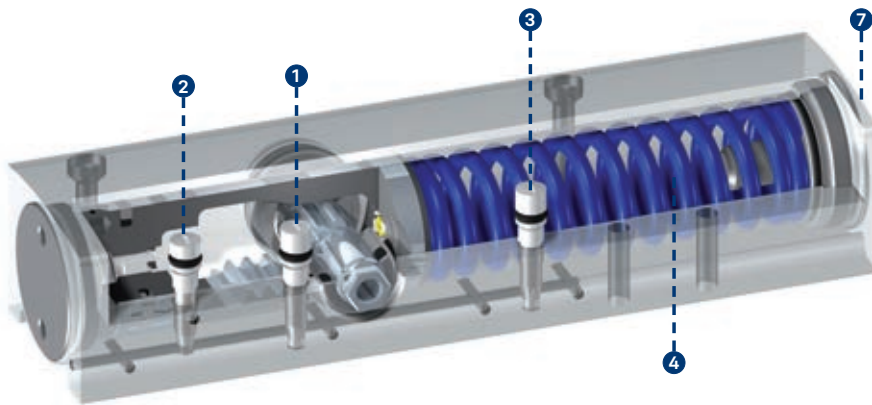


TECHNOLOGY – TS 5000 OVERHEAD DOOR CLOSER



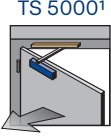
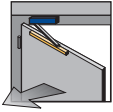




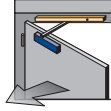

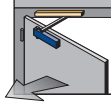

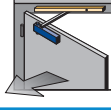

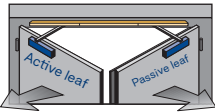
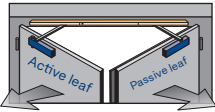
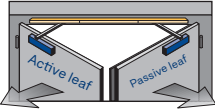
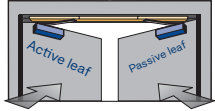
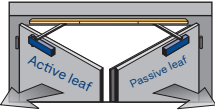
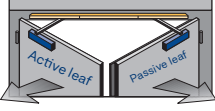
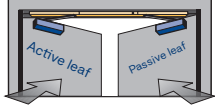
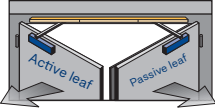
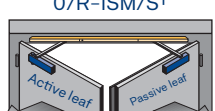
1 = Closing speed setting | 2 = Latching action setting | 3 = Back check setting | 4 = Opening assistance | 5 = Closing force display | 6 = Setting closing force from the front

TECHNOLOGY – TS 3000 V OVERHEAD DOOR CLOSER



1 = Closing speed setting | 2 = Latching action setting | 3 = Back check setting | 4 = Opening assistance | 7 = Setting closing force from the side

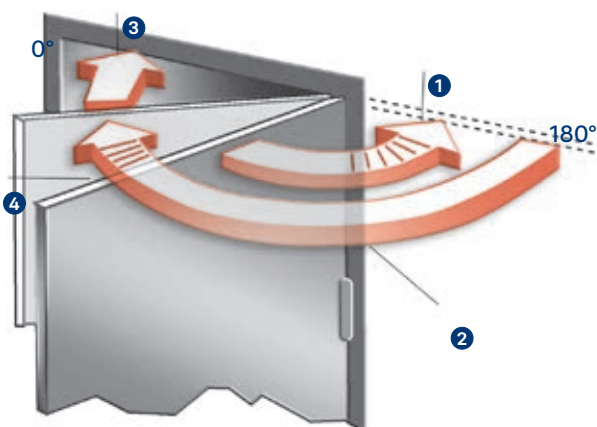
SYSTEM TS 5000 – INSTALLATION POSSIBILITIES

		Installation of door closer on hinge side		Installation of door closer on opposite hinge side	
		Door leaf installation	Transom installation	Door leaf installation	Transom installation
single leaf	Standard design / with delayed closing	TS 5000 ¹ 	TS 5000 L ² 	TS 5000 L ² 	TS 5000 ¹ 
	Electromechanical hold-open unit	TS 5000 E ¹ 		TS 5000 L-E ² 	
	Electromechanical hold-open unit and integrated smoke switch	TS 5000 R ¹ 		TS 5000 L-R ² 	
	Electric free swing function	TS 5000 EFS 3-6 	TS 5000 EFS 3-6 KM 		
	Electric free swing function with integrated smoke switch	TS 5000 RFS 3-6 	TS 5000 RFS 3-6 KM 		
	Integrated closing sequence control	TS 5000 ISM ¹ 		TS 5000 L-ISM ² / L-ISM VPK ³ 	
Integrated closing sequence control with electromechanical hold-open unit on both leaves	TS 5000 E-ISM ¹ 		TS 5000 L-E-ISM ² / L-E-ISM VPK ³ 		
double leaf	Integrated closing sequence control, optional for free swing function on the active leaf with electromechanical hold-open function only on the active leaf	TS 5000 ISM/E-ISM/S ¹ 			
	Integrated closing sequence control with electromechanical hold-open function on active leaf	TS 5000 E-ISM/G ¹ 		TS 5000 L-R ISM 	
	Integrated closing sequence control with electromechanical hold-open function on both leaves or on the active leaf and the smoke switch	TS 5000 R-ISM/ R-ISM/G ¹ 			
	Integrated closing sequence control with smoke switch, optional for free swing function on the active leaf with electromechanical hold-open function only on the passive leaf	TS 5000 R-ISM/ O/R-ISM/S ¹ 			

1 can also be implemented with the design variants of the TS 5000 closer body | 2 can also be implemented with the design variants of the TS 5000 L closer body | 3 for double leaf full panic doors

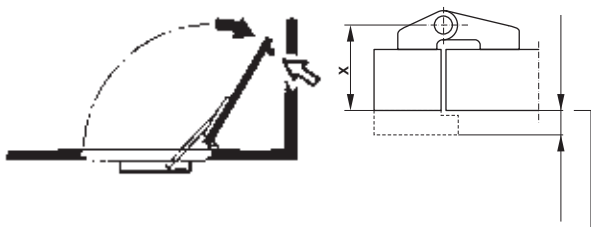
GENERAL PRODUCT FUNCTIONS AND INFORMATION

DOOR CLOSER WITH GUIDE RAIL



1 = Back check: reduces the speed of a forcefully pushed open door at approximately 90° door opening. However, it must not be used as a substitute for separate measures designed to limit the opening angle (such as a door stopper or other structural methods), e.g. in the case of doors that open outwards or are liable to be exposed to the wind. | 2 = Closing speed: The speed at which a door closes can be set on an individual basis. | 3 = Latching action: When the door is just a few degrees away from reaching the closed position, this function increases the door speed in order to overcome any closing resistance (e.g. in the form of air resistance) | 4 = Delayed closing: This function reduces the closing speed of a door or stops the door so that people have enough time to get through it.

SPECIALLY FOR OPPOSITE HINGE SIDE INSTALLATION



To prevent damage to the door system, the maximum door opening angle must be limited (door stopper or T-Stop guide rail).

X dimension = distance dimension of pivot point to contact area of guide rail

DOOR CLOSER WITH ADJUSTABLE CLOSING FORCE

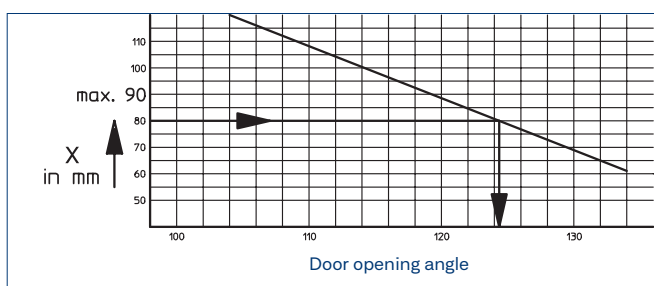
The relevant standards stipulate that the closing force (closing force of the closer) must be selected in accordance with the door leaf width. Where necessitated by the structural (door height, door weight) or local conditions (wind), the next closing force up must be set.

TS 3000 V, TS 5000 and related versions offer several closing forces in one housing. The desired closing force can be selected by means of an adjustment screw. The TS 5000 features a visual display so you can see which closing force is currently selected.

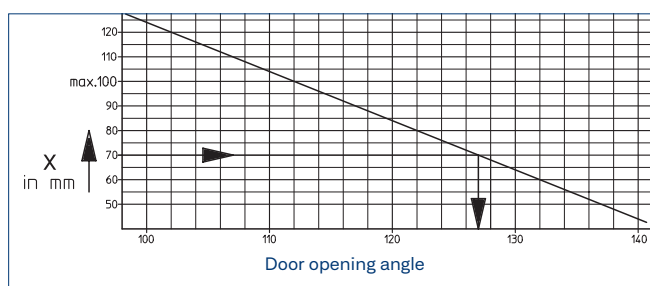
Door closing force acc. to EN standard	Door leaf width (mm)
Closing force 1	up to 750
Closing force 2	over 750 up to 850
Closing force 3	over 850 up to 950
Closing force 4	over 950 up to 1100
Closing force 5	over 1100 up to 1250
Closing force 6	over 1250 up to 1400

Door closer with mechanical hold-open device: Installation of the hold-open device into the corresponding guide rail enables variable adjustment of the door hold-open function between 80° and 130°. The retention force of the hold-open function can be adjusted. The hold-open function can therefore be switched off too.

SINGLE LEAF SYSTEMS



DOUBLE LEAF SYSTEMS (EXCEPT TS 5000 L-R-ISM VP)



PRODUCT INFORMATION FOR DOOR CLOSERS

Due to the liability the manufacturer has for its products under the German product liability law (§ 4 Prod-HaftG), the following information regarding door closers for swing leaf doors must be observed. Failure to comply releases the manufacturer from his statutory liability.

1) PRODUCT INFORMATION AND USE AS INTENDED

Within this context, door closers are to be defined as products for closing swing leaf doors after they have been opened manually. The closing action is dampened using a hydraulically adjustable feature.

The level of closing force required for specific leaf widths is defined in EN 1154. In the case of non-standard applications, the details provided by the manufacturer are to be regarded as definitive. Door closers are used on installed swing leaf doors made from metal, timber or plastic and combinations thereof. When used on smoke and fire protection doors or other standardised self-locking doors, they are subject to strict requirements in terms of the type of installation and their position. Any deviation from these requirements constitutes improper use.

Proper use of door closers (use as intended) relies on doors being installed perpendicular and their being able to move smoothly; it is also dependent on the door closers being properly secured. The products must be installed and adjusted professionally in accordance with the manufacturer's specifications.

Where local conditions are particularly unfavourable (wind), door closers with higher torques must be used.

It is particularly important to use door closers with a back check function on swing leaf doors that are exposed to wind when opening outwards. The back check function helps protect people, door elements, nearby walls and objects, without restricting the door opening angle. If the structural conditions of the door are such that there is a risk of the door leaf hitting the frame in the vicinity of the door's axis of rotation, a buffer must be installed to limit the door's maximum opening angle. If swing leaf doors are to be fixed in the open position, this may only be achieved using special additional fittings or integrated constructional elements. When used on smoke and fire protection doors, the devices must be officially approved by Deutsches Institut für Bautechnik (German Centre of Competence for Construction) (door suitability certificates must be heeded).

Door closers are not suitable for installation on swing leaf doors in the case of exposed exterior installation or for installation in environments where the air contains aggressive, corrosive substances or in extremely high or low temperatures.

Following installation, enclosures for floor springs must be protected against soiling. If floor springs are exposed to penetrating water such as wet rooms or exterior doors with no protection from the rain, the area between the cement box and the floor spring cover must be sealed with a suitable sealing compound.

Compliance with mandatory statutory provisions must be ensured, where applicable, before door closers (including any additional devices) are installed and commissioned.

2) MISUSE

Misuse (i.e. improper use of door closer products for swing leaf doors) includes, in particular:

- the presence of obstacles in the closing area, scraping doors, sticking seals, wooden wedges, etc. that hinder the door's closing action.
- if incorrect or improper mounting and/or adjustment occurs,
- if reaching into the area between the door frame and leaf (risk of injury),

- if the warranted properties are likely to trigger proper functioning, e.g. in case of storms or unusual levels of overpressure or underpressure acting on the door,
- if door closers are used for any purpose other than closing doors,
- if the selected closing force does not tally with the manufacturer's recommendations

3) PRODUCT PERFORMANCE

Where catalogues, brochures, manuals, etc. do not contain specific details of product performance, special requirements must be discussed and agreed with the manufacturer.

The EN 1154 standards serve as a guideline. These standards stipulate the vast majority of basic and additional requirements. Amongst other things, the usability of door closers depends on how often they are operated, how they are operated, environmental influences and how they are cared for. Door closers must be replaced as soon as the door's closing action can no longer be guaranteed to be fault-free and reliable.

4) PRODUCT MAINTENANCE

Safety-related components of door closers must be checked regularly for tightness and signs of wear (depending on what the requirements are). Fixing screws must be re-tightened and defective components replaced. In addition, the following maintenance work must be carried out at least once a year (depending on the swing leaf door type and extent of use).

- Grease all moving parts on the link arm.
- In the case of door closers with special functions (hold-open devices and hold-open systems), ensure compliance with statutory inspections, monitoring requirements and suggested maintenance intervals.
- Check the door closer settings e.g. the closing speed.
- Check that the door is able to move easily.

Do not use any cleaning agents that contain corrosive or damaging ingredients.

5) DUTIES TO INFORM AND INSTRUCT

The following resources are available to help planners, specialist suppliers, installation companies, builders and users fulfil their duties of information and instruction:

- Catalogues, brochures, leaflets,
- Tender texts and bidding documents,
- Attachment instructions, installation drawings, operating instructions, standards
- Advice from field staff.

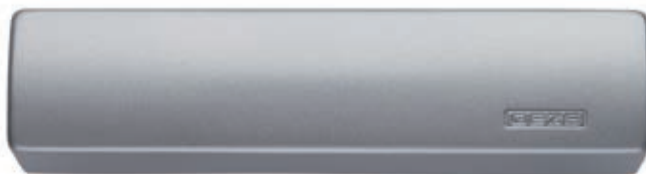
To ensure correct use of door closers on swing doors, guarantee their function and make sure they are maintained and cared for appropriately:

- Architects and planners are advised to order and observe the necessary product information,
- Specialist suppliers are advised to observe the product information and advice in the price lists and, in particular, to order all relevant instructions, which are to be passed on to the installation engineer,
- fabrication companies are advised to observe all the product information and to pass it on to the client and user.

COVER CAPS FOR GEZE DOOR CLOSERS

The following cover caps are available for the TS 3000 V and TS 5000 overhead door closers:

→ silver-coloured



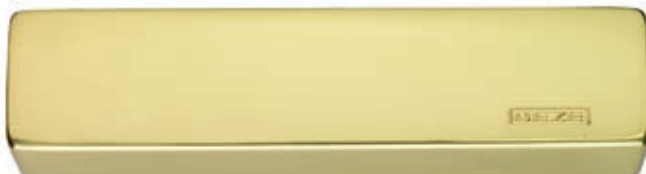
→ dark bronze



→ white RAL 9016



→ polished brass



→ stainless steel



Further RAL colours on request.



ÖAMTC headquarters / Mobility Centre in Vienna, Austria (photo: Sigrid Rauchdobler / GEZE GmbH)



Stadion Miejski Wrocław, built for Euro 2012, Poland (photo: Lukasz Janicki / GEZE GmbH)

We are GEZE.

For liveable buildings

GEZE stands for innovation, high quality and comprehensive support of building technologies. From the initial idea, planning and operational implementation with standard products to customised system solutions and individual service and maintenance plans. We offer an extensive product range of door, window and safety technology products and are a major driving force behind the digital networking of building automation.

GEZE GmbH

Reinhold-Vöster-Strasse 21 – 29

71229 Leonberg

Germany

Telephone: +49 7152 203 0

Fax: +49 7152 203 310

Email: info.de@geze.com

www.geze.com