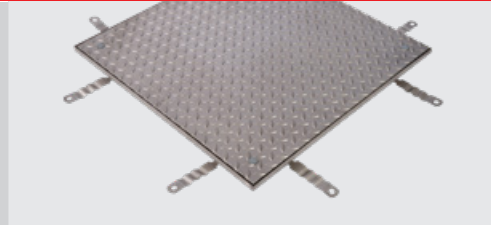
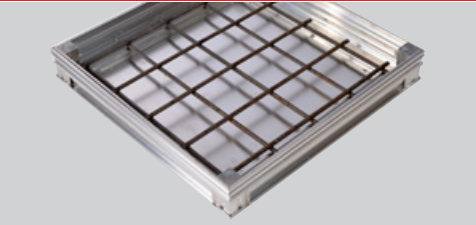


Uniclass L217241 + L217242
Cl/SfB (52.9)

ACO Access

ACO Floor Access Covers



ACO Floor Access Covers

Access covers for building applications



Introduction to the ACO Group

Throughout the world ACO branded drainage, access covers and surface water management systems are recognised for their innovative design, high quality manufacture, environmental excellence and industry leading performance.

Today the ACO Group has a research and production base that reaches across four continents. This unmatched resource pioneers the development of solutions that are tailored to individual applications, meeting the need for high performance, sustainable products that deliver optimum value throughout their operational life.

ACO Technologies plc

ACO operates as ACO Technologies plc in the United Kingdom. Founded over 30 years ago, the company has grown quickly on a reputation for design innovation and customer service.

ACO Access is a division of ACO Technologies plc, dedicated to providing market leading access covers with outstanding customer service and support.



ACO Access

Sales Enquires Team:
Tel: +44(0)1462 810421
Email: acsales@aco.co.uk

Technical Team:
Tel: +44(0)1462 810431
Email: actechnical@aco.co.uk

Marketing and Media Support:
Tel: +44(0)1462 810400
Email: acmarketing@aco.co.uk



Contents

Introduction to ACO floor access covers	4
Range overview	5
Load class guide and product selector	8

Technical data - Recessed Access Covers

ACO UniFace™ AL SHALLOW - Aluminium single recessed access covers	10
ACO UniFace™ AL SMART - Aluminium single recessed access covers	12
ACO UniFace™ AL - Aluminium single recessed access covers	14
ACO UniFace™ AL DUCT - Aluminium multipart recessed access covers	17
ACO UniFace™ GS and SS - Galvanised and stainless steel single recessed access covers	18
ACO UniFace™ GS and SS ASSIST - Galvanised and stainless steel gas spring assisted single recessed access covers	21
ACO UniFace™ GS and SS MULTI - Galvanised and stainless steel multipart recessed access covers.	24

Technical data - Solid Access Covers

ACO UniTop™ AL SOLID - Aluminium single solid access covers	25
ACO UniTop™ GS and SS SOLID - Galvanised and stainless steel single solid access covers	27
ACO UniTop™ GS and SS SOLID ASSIST - Galvanised and stainless steel gas spring assisted single solid access covers	30
ACO UniTop™ GS and SS SOLID DUCT - Galvanised and stainless steel multipart solid access covers.	32

Installation, operation and maintenance guide	33
Specification clause and test reports	38



Introduction to ACO Floor Access Covers

“Hidden depths...”

ACO is synonymous around the world for quality, innovation and outstanding design. Our wealth of experience, technical knowledge and manufacturing expertise ensures our range of floor access covers delivers choice, function and style to our customers for a wide range of internal and external building applications.

ACO Floor Access Covers

ACO's floor access cover range provides a high quality finish and easy access to underlying services and ducting. ACO UniFace™, our range of recessed access covers, and ACO UniTop™, our range of solid covers, are designed for internal and

external applications associated with both commercial, private and public sector buildings. Typical applications include areas used by pedestrians, light vehicle traffic and heavier traffic such as forklifts.

Available in a choice of materials including aluminium, hot dipped galvanised steel and stainless steel grade 304 as standard. ACO access covers can also compliment a variety of hard and flexible floor finishes including concrete, epoxy, terrazzo, carpet, stone or ceramic tiles.



With a comprehensive range of standard clear opening sizes from 200 to 1200mm, ACO floor access cover can be supplied either as single units or for ducting and multi span applications. Manual lift or gas spring assisted versions are also available to suit the intended method of opening, frequency and ease of operation.

ACO UniFace™ and ACO UniTop™ floor access covers are manufactured using recycled materials and at end of life can be 100% recycled contributing to a sustainable environment and building practices.

Our complete range of floor access covers is tested to the Fabricated Access Cover Trade Association (FACTA), specification for fabricated access covers. As a member of FACTA all ACO floor access covers use FACTA classifications for ease of selection and specification. See our load class and product selector on page 8 for further details.



BIM downloads available

ACO access cover BIM files for Autodesk® Revit are available to download from www.aco.co.uk/accesscovers

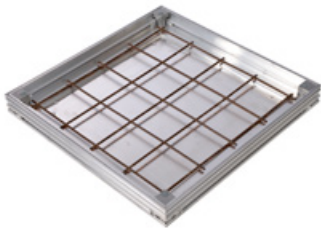
ACO Floor Access Covers Range Overview

“Continuous aesthetics”

ACO UniFace™ recessed floor access cover range

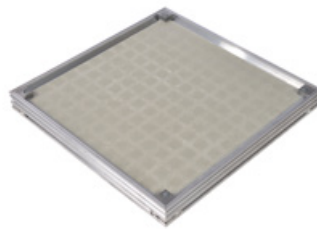
The ACO UniFace™ range is designed to blend perfectly with a wide selection of both hard or flexible floor infills of thicknesses up to 15mm. ACO UniFace™ recessed access covers are available in either aluminium, hot dipped galvanised steel or stainless steel grade 304 as standard (stainless steel grade 316 options to special order). The range provides simple access to underlying services and all products are fitted with both liquid and odour tight EPDM seals as standard. Manual lift and gas spring operated options are available, and cover security is ensured by the inclusion of stainless steel locking screws. Single, duct or multipart access covers are available, making the ACO UniFace™ range extremely versatile with covers suitable for pedestrian, light vehicle and medium duty fork-lift truck applications.

RANGE OPTIONS



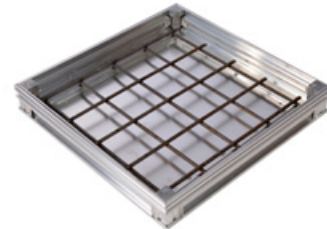
ACO UniFace™ AL SHALLOW

Aluminium single recessed covers with a frame depth of only 50mm. Ideal for pedestrian, trolleys and light duty car/van traffic applications where installation depths are restricted. Wide range of size options available for clear openings of between 200mm and 1200mm. See page 10 for further details. FACTA class AA.



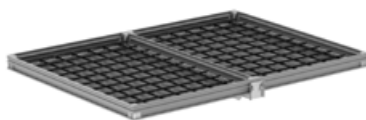
ACO UniFace™ AL SMART

Aluminium and structural composite single recessed covers allow flooring material to be installed directly without the need for a concrete infill making them lighter to remove and faster to install. With a frame depth of only 50mm, they are ideal for pedestrian and light duty vehicle traffic applications where installation depths are restricted. Range of size options available for clear openings of between 200mm and 600mm. See page 12 for further details. FACTA class AAA.



ACO UniFace™ AL

Aluminium single recessed covers with a frame depth of 73mm ideal for pedestrian, trolley and light duty vehicle traffic. Wide range of size options available for clear openings of between 200mm and 1200mm. See page 14 for further details. FACTA class AA and AAA.



ACO UniFace™ AL DUCT

Aluminium multipart recessed covers with a frame depth of 73mm. Ideal for linear ducting applications with pedestrian, trolley and light duty car/van traffic. Fully removable support beams allow unimpeded access. Available for clear openings of between 200mm and 1000mm and lengths to suit individual customer requirements. See page 17 for further details. FACTA class AA.

Suitable flooring types

- ▶ Concrete
- ▶ Epoxy
- ▶ Terrazzo
- ▶ Carpet
- ▶ Wood
- ▶ Stone tiles
- ▶ Ceramic tiles

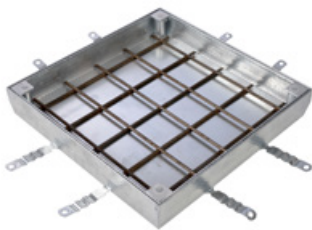
Typical application areas

- ▶ Offices
- ▶ Shopping centres
- ▶ Transport hubs
- ▶ Leisure facilities
- ▶ Residential
- ▶ Hospitals
- ▶ Education
- ▶ Warehousing
- ▶ Kitchens
- ▶ Landscaping



ACO Floor Access Covers Range Overview

RANGE OPTIONS



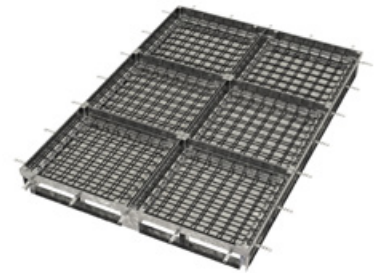
ACO UniFace™ GS and SS

Hot dipped galvanised steel and stainless steel grade 304 single recessed covers with a frame depth of 83mm. Covers can also be supplied in stainless steel grade 316 to special order. Ideal for pedestrian, light vehicle and medium duty fork-lift truck areas. Wide range of size options available for clear openings of between 300mm and 1200mm. See page 18 for further details. FACTA class B, C and D.



ACO UniFace™ GS and SS ASSIST

Hot dipped galvanised and stainless steel grade 304 gas spring assisted single recessed covers, designed for one person minimal effort operation. Ideal in areas where frequent access is required. With a frame depth of 89mm, these hinged covers are ideal for pedestrian, light vehicle and medium duty fork-lift truck areas. Wide range of size options available for clear openings of between 400mm and 1000mm. See page 21 for further details. FACTA class B, C and D.



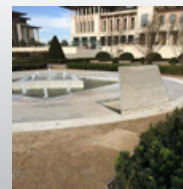
ACO UniFace™ GS and SS MULTI

Hot dipped galvanised and stainless steel grade 304 stainless steel multipart recessed covers with a frame depth of 83mm. Designed for use over larger chambers where multi cover access is required with fully removable support beams for unimpeded access. Ideal for pedestrian, light vehicle and medium duty fork-lift truck areas. Available for clear openings of between 600mm and 2000mm and lengths to individual customer requirements. See page 24 for further details. FACTA class B, C and D.



Engineering solutions

ACO access covers can be manufactured to suit individual customer requirements, including bespoke sizes, loading and materials. Please contact our sales team on +44(0)1462 810421 or email acsales@aco.co.uk for further information.

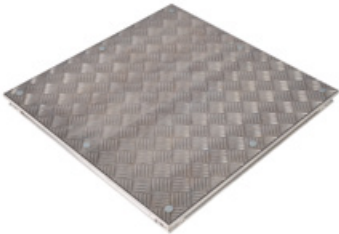


“Contrasting Utility”

ACO UniTop™ solid access cover range

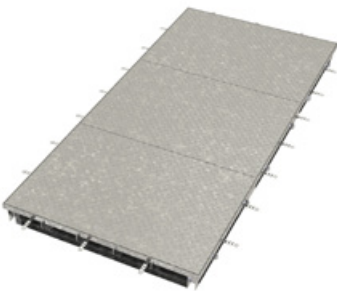
The ACO UniTop™ range provides contrasting aesthetics and easy identification in hard floor and pavement finishes. ACO UniTop™ solid access covers are available in either aluminium, hot dipped galvanised steel or stainless steel grade 304 as standard (stainless steel grade 316 options to special order). For safety in use all solid covers have a raised slip resistant surface and fitted with a single liquid and odour tight EPDM seal as standard. All covers are locked by stainless steel screws for security in use and can be supplied either as manual lift or gas spring assisted opening options. Single or duct multipart access covers are available, making the ACO UniTop™ range suitable for a wide range of pedestrian and light vehicle applications.

RANGE OPTIONS



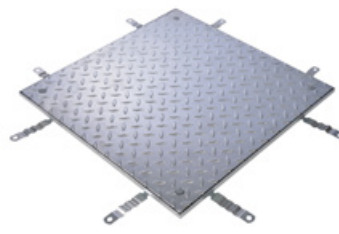
ACO UniTop™ AL SOLID

Aluminium single solid floor access covers with a frame depth of 38mm. Ideal for pedestrian, trolley and light duty car/van traffic applications. Wide range of size options available for clear openings of between 200mm and 1000mm. See page 25 for further details. FACTA class AA.



ACO UniTop™ GS and SS SOLID DUCT

Hot dipped galvanised steel and stainless steel grade 304 multipart solid floor access covers with a frame depth of 60mm. Ideal for linear ducting applications with pedestrian, light vehicle and pallet truck traffic. Fully removable support beams allow unimpeded access. Available for clear openings of between 300mm and 1000mm and lengths to suit individual customer requirements. See page 32 for further details. FACTA class AAA and B.



ACO UniTop™ GS and SS SOLID

Hot dipped galvanised steel and stainless steel grade 304 single solid floor access covers with a frame depth of 60mm. Ideal for pedestrian, light vehicles and pallet truck areas. Wide range of size options available for clear openings of between 300mm and 1000mm. See page 27 for further details. FACTA class AAA and B.



ACO UniTop™ GS and SS SOLID ASSIST

Hot dipped galvanised steel and stainless steel grade 304 gas spring assisted single solid floor access covers, designed for one person minimal effort operation. Ideal in areas where frequent access is required. With a frame depth of 60mm these hinged covers are ideal for pedestrian, light vehicle and pallet truck areas. Wide range of size options available for clear openings of between 450mm and 1000mm. See page 30 for further details. FACTA class AAA and B.

Suitable flooring types

- ▶ Concrete
- ▶ Screed
- ▶ Epoxy

Typical application areas

- ▶ Leisure facilities
- ▶ Hospitals
- ▶ Education
- ▶ Warehousing
- ▶ Factory areas
- ▶ Plant rooms
- ▶ Kitchens
- ▶ Landscaping

Load Class Guide and Product Selector

ACO floor access covers are tested to the Fabricated Access Cover Trade Association (FACTA), specifications for fabricated access covers. All ACO floor access covers use FACTA classifications to assist specifiers in the correct selection of our products. FACTA classifications provide a simple and practical guide to the performance of access covers to ensure safe, long term, trouble-free service.

All load classifications stated for ACO UniFace™ recessed access covers are for covers filled as stated (see technical data for further details) with 28 day cured grade C35/45 concrete to BS EN 206:2013, or a fast-curing cementitious infill material of at least equivalent performance.

All load classifications for ACO UniTop™ solid covers are for products as supplied.

The table below provides a guide to FACTA application classes, approximate vehicle

weights (GLVW) and the maximum wheel loads appropriate for each class and product. If you are in any doubt as to the suitability of our products for an application please contact the ACO Access technical team for further advice.

For further information regarding FACTA classifications, go to www.facta.org.uk/specification.pdf

ACO do not recommend the use of the any of the products stated in the table below for carriageway use or for vehicle traffic travelling at a speed greater than 20 mph.

To request copies of our product test reports or for further information please contact the ACO Access Technical team on +44 (0) 1462 810400 or by emailing actechnical@aco.co.uk.



FACTA Class	Gross Laden Vehicle Weight (GLVW)	Maximum Wheel Loads (slow moving*)		Typical Applications	
		Pneumatic Tyres	Solid Tyres	Pneumatic Tyres	Solid Tyres
A 	Pedestrian duty	0.5 tonnes	N/A	Internal and external areas which can only be used by pedestrian, wheelchairs or cycles e.g. offices, toilets, changing rooms, footways and cycles tracks	
AA 	Up to 5 tonnes	1.5 tonnes	N/A	Very light industrial areas, where small trolleys and private cars/vans can manoeuvre e.g. domestic driveways, trolley parks, hospital wards	
AAA 	Up to 10 tonnes	2.5 tonnes	0.5 tonnes	Delivery or service areas, shopping centres and light industrial areas	Light industrial areas, where trolleys and light pallet trucks operate
B 	Up to 25 tonnes	5.0 tonnes	0.75 tonnes	Pedestrian precincts, forecourts, light commercial delivery and parking areas	Factories, industrial plants where small pallet trucks operate
C 	Up to 38 tonnes	6.5 tonnes	1.0 tonnes	Factories, industrial plants, commercial delivery areas	Industrial areas where pallet and small fork-lift trucks operate
D 	Up to 44 tonnes	11.0 tonnes	3.0 tonnes	Heavy duty plant and delivery areas where HGV's can reach speeds of 20mph max.	Heavy duty industrial areas where medium duty fork-lift trucks operate.

Selecting the correct size of access cover

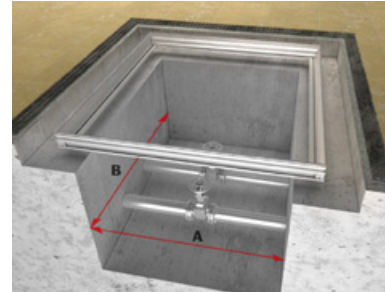
Once a suitable access cover type has been selected for a particular application, loading, material and flooring finish, the appropriate cover size can be chosen to fit the shaft opening over which it will be placed.

The shaft opening or clear opening (dimension A x B see image) as it is referred to within our technical data defines the maximum shaft opening size at which each access cover design can be safely operated. It is recommended that an access cover with a clear opening (A x B)

size either equal to or up to a maximum of 20mm larger than the actual unsupported shaft opening size may be used.

Warning!

It is not recommended that any part of the access covers frame overhangs the unsupported shaft opening once installed. Access covers with a clear opening (A x B) smaller than the unsupported shaft opening are not recommended and may lead to premature failure in service.



Liquid and odour tight sealing

ACO floor access covers are fitted as standard with EPDM seals in order to prevent the ingress/egress of liquid and odour at normal atmospheric pressure. Typical applications may include areas

where runoff from rainwater, swimming pools, changing/shower areas, spillages and cleaning operations may be encountered.

For access cover solutions suitable for specific back pressure applications or those designed to be submerged for long periods please contact the ACO Access Technical team on +44 (0) 1462 810400 or by emailing actechnical@aco.co.uk

ACO UniFace™ recessed access covers							ACO UniTop™ solid access covers			
AL SHALLOW	AL SMART	AL	AL DUCT	GS and SS	GS and SS ASSIST	GS and SS MULTI	AL SOLID	GS and SS SOLID	GS and SS SOLID ASSIST	GS and SS SOLID DUCT
↓	↓	↓	↓	↓	↓	↓	↓	↓	↓	↓
✓	↓	✓	✓	↓	↓	↓	✓	↓	↓	↓
	✓	✓		↓	↓	↓		✓	✓	✓
				✓	✓	✓		✓	✓	✓
				✓	✓	✓				
				✓	✓	✓				

- * Slow moving wheel loads are deemed to be speeds no greater than 20 mph
- ✓ Product available at load classification
- ↓ Product suitable for application

ACO UniFace™ AL SHALLOW Recessed Access Cover Range

High quality aluminium single recessed floor access covers with a frame depth of only 50mm. Ideal for pedestrian, trolley and light duty car/van traffic applications where installation depths are restricted. Wide range of size options available for clear openings of between 200mm and 1200mm. Manual lift single recessed cover option available. All covers fitted with EPDM liquid, odour and dust seals as standard with four point stainless steel locking.

Ideal applications

- ▶ Offices
- ▶ Residential
- ▶ Hospitals
- ▶ Schools
- ▶ Leisure facilities
- ▶ Swimming pools

Suitable flooring types

- ▶ Concrete
- ▶ Epoxy
- ▶ Terrazzo
- ▶ Ceramic tiles
- ▶ Carpet
- ▶ Wood

Options

- ▶ ACO UniFace™ AL SHALLOW manual lift single recessed access covers

FEATURES

Reinforcement provided for long term durability and performance

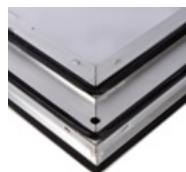
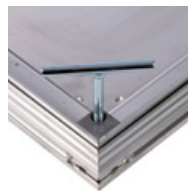
Elegant 4mm aluminium edges blend discreetly with floor finishes

Two lifting/locking keys and installation manual provided with each access cover

Frame only 50mm deep. Light weight tray design suitable for floor finishes of up to 15mm thickness

High performance triple EPDM seals for liquid, odour and dust-tight applications

Easy removal with four corner locking/lifting positions and stainless steel locking bolts and dust caps as standard



FACTA Class

Gross Laden Vehicle Weight (GLVW)



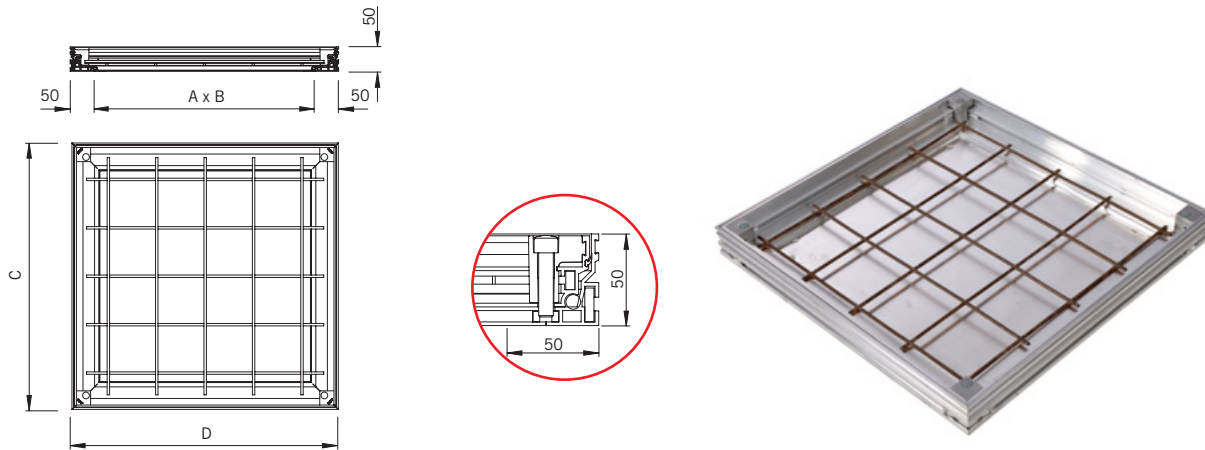
Up to 5 tonnes

ACO UniFace™ AL SHALLOW - Aluminium single recessed access covers



Product code	Clear opening (AxB) (mm)	Overall Frame Size (Cx D) (mm)	Overall Frame Height (mm)	Internal Tray Depth (mm)	Weight (kg)	GLVW (Tonnes)	Max. wheel load	
							Pneumatic Tyre (Tonnes)	Solid Tyre (Tonnes)
415140	200 x 200	300 x 300	50	47	2.9	5	1.5	N/A
415141	300 x 300	400 x 400	50	47	4.2	5	1.5	N/A
415142	400 x 400	500 x 500	50	47	5.4	5	1.5	N/A
415143	450 x 450	550 x 550	50	47	5.8	5	1.5	N/A
415144	500 x 500	600 x 600	50	47	6.9	5	1.5	N/A
415145	600 x 400	700 x 500	50	47	6.6	5	1.5	N/A
445696	600 x 450	700 x 550	50	47	6.9	5	1.5	N/A
415146	600 x 600	700 x 700	50	47	8.4	5	1.5	N/A
415147	635 x 635	735 x 735	50	47	10.8	5	1.5	N/A
415148	700 x 700	800 x 800	50	47	11.8	5	1.5	N/A
445697	750 x 600	850 x 700	50	47	9.3	5	1.5	N/A
445698	750 x 750	850 x 850	50	47	12.7	5	1.5	N/A
415149	800 x 600	900 x 700	50	47	9.6	5	1.5	N/A
415150	800 x 800	900 x 900	50	47	15.1	5	1.5	N/A
415151	900 x 600	1000 x 700	50	47	10.7	5	1.5	N/A
415152	900 x 900	1000 x 1000	50	47	17.9	5	1.5	N/A
415153	1000 x 600	1100 x 700	50	47	11.4	5	1.5	N/A
415154	1000 x 800	1100 x 900	50	47	18.0	5	1.5	N/A
415155	1000 x 1000	1100 x 1100	50	47	21.0	5	1.5	N/A
415156	1200 x 600	1300 x 700	50	47	12.8	5	1.5	N/A

* Declared load tested to FACTA class AA filled with grade C35/45 concrete to allow a 15mm depth for flooring material.



ACO UniFace™ AL SHALLOW - Cover spares

Product code	Description	Weight (kg)
415571	Lifting/locking key set (2 x Keys)	0.2
416959	Locking screw and dust cap set (4 x screws and dust caps)	0.1



Note: All dimensions and weights shown are subject to tolerances and are for guidance purposes only.

ACO UniFace™ AL SMART Recessed Access Cover Range

Fast installation, high quality aluminium and structural composite recessed floor access covers with a frame depth of only 50mm. Ideal for pedestrian and light duty vehicle traffic applications where installation depths are restricted. Structural composite reinforced design allows flooring material to be installed directly without the need for a concrete infill making covers lighter to remove and significantly faster to install. Range of size options available for clear openings of between 200mm and 600mm. Manual lift single recessed cover option available. All covers fitted with EPDM liquid, odour and dust seals as standard with four point stainless steel locking.

Ideal applications

- ▶ Offices
- ▶ Residential
- ▶ Hospitals
- ▶ Schools
- ▶ Leisure facilities
- ▶ Swimming pools

Suitable flooring types

- ▶ Concrete
- ▶ Epoxy
- ▶ Terrazzo
- ▶ Ceramic tiles
- ▶ Carpet
- ▶ Wood

Options

- ▶ ACO UniFace™ AL SMART manual lift single recessed access covers

FEATURES

Structural composite reinforcement enables floor finish to be immediately installed, eliminating delays normally required for concrete to cure

Elegant 4mm aluminium edges blend discreetly with floor finishes

Two lifting/locking keys and installation manual provided with each

Easy removal with four corner locking/lifting positions and stainless steel locking bolts and dust caps as standard

Frame only 50mm deep. Light weight tray design suitable for floor finishes of up to 15mm thickness

High performance triple EPDM seals for liquid, odour and dust-tight applications

FACTA Class

Gross Laden Vehicle Weight (GLVW)



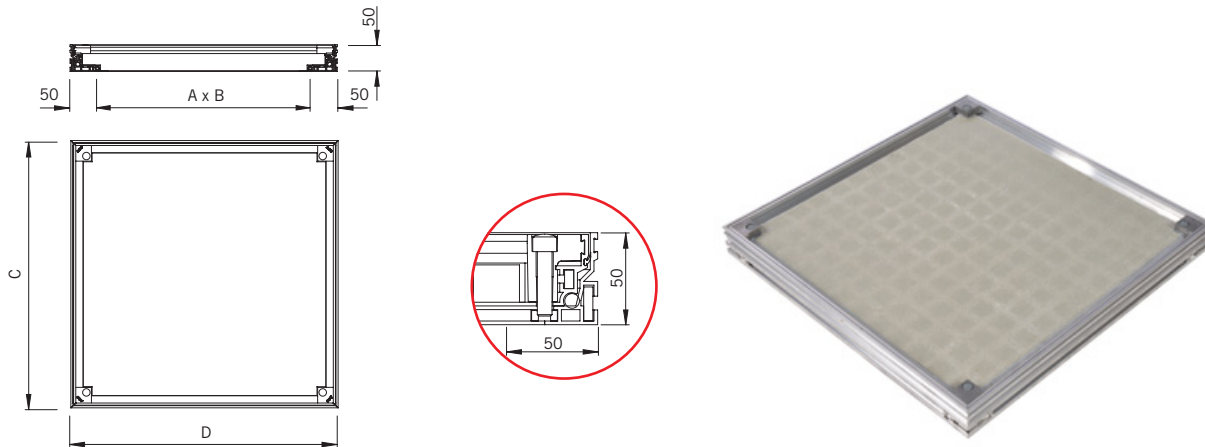
Up to 10 tonnes

ACO UniFace™ AL SMART - Aluminium single recessed access covers



Product code	Clear opening (AxB) (mm)	Overall Frame Size (Cx D) (mm)	Overall Frame Height (mm)	Internal Tray Depth (mm)	Weight (kg)	GLVW (Tonnes)	Max. wheel load	
							Pneumatic Tyre (Tonnes)	Solid Tyre (Tonnes)
415157	200 x 200	300 x 300	50	15	3.7	10	2.5	0.5
415158	300 x 300	400 x 400	50	15	5.7	10	2.5	0.5
415159	400 x 400	500 x 500	50	15	7.8	10	2.5	0.5
445699	450 x 450	550 x 550	50	15	8.8	10	2.5	0.5
415160	500 x 500	600 x 600	50	15	10.3	10	2.5	0.5
445700	600 x 450	700 x 550	50	15	10.8	10	2.5	0.5
415161	600 x 600	700 x 700	50	15	13.2	10	2.5	0.5

* Declared load tested to FACTA class AAA with structural composite infill to allow a 15mm depth for flooring material.



ACO UniFace™ AL SMART - Cover spares

Product code	Description	Weight (kg)
415571	Lifting/locking key set (2 x Keys)	0.2
416959	Locking screw and dust cap set (4 x screws and dust caps)	0.1



Note: All dimensions and weights shown are subject to tolerances and are for guidance purposes only.



ACO UniFace™ AL Recessed Access Cover Range

High quality aluminium recessed floor access covers with a frame depth of 73mm. Ideal for pedestrian, trolley and light duty vehicle traffic. Wide range of size options available for clear openings of between 200mm and 1200mm. Manual lift single and duct recessed access cover options available. All covers fitted with EPDM liquid, odour and dust seals as standard with four point stainless steel locking.

Ideal applications

- ▶ Shopping centres
- ▶ Offices
- ▶ Transport hubs
- ▶ Hospitals
- ▶ Schools
- ▶ Leisure facilities
- ▶ Swimming pools

Suitable flooring types

- ▶ Concrete
- ▶ Epoxy
- ▶ Terrazzo
- ▶ Ceramic tiles
- ▶ Carpet
- ▶ Wood

Options

- ▶ ACO UniFace™ AL manual lift single recessed access covers
- ▶ ACO UniFace™ AL DUCT manual lift multipart recessed access covers

FEATURES

Reinforcement provided for long term durability and performance



Elegant 4mm aluminium edges blend discreetly with floor finishes

Two lifting/locking keys and installation manual provided with each access cover

Easy removal with four corner locking/lifting positions and stainless steel locking bolts and dust caps as standard

Frame only 73mm deep. Light weight tray design suitable for floor finishes of up to 15mm thickness

High performance triple EPDM seals for liquid, odour and dust-tight applications

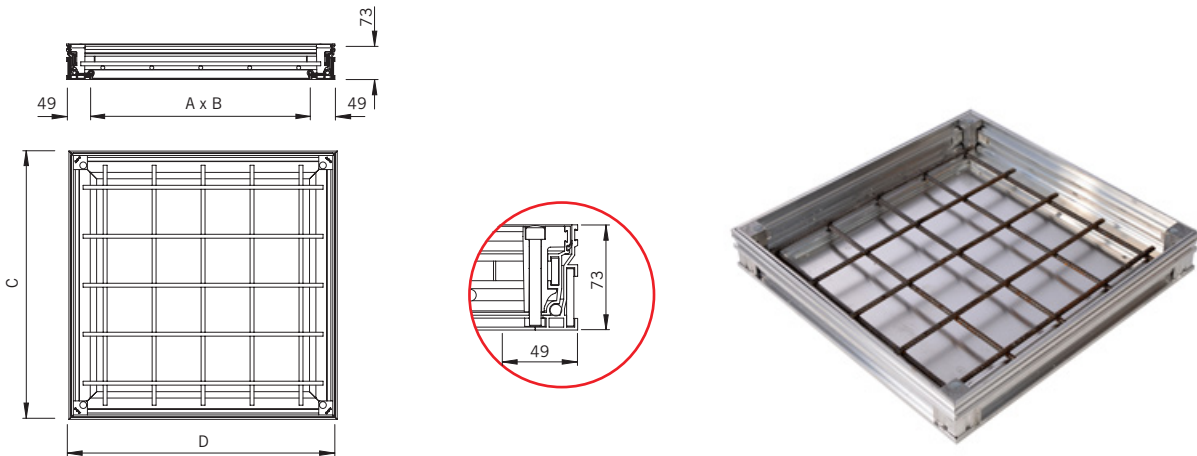
FACTA Class	Gross Laden Vehicle Weight (GLVW)
AA 	Up to 5 tonnes
AAA 	Up to 10 tonnes

ACO UniFace™ AL - Aluminium single recessed access covers



Product code	Clear opening (AxB) (mm)	Overall Frame Size (CxD) (mm)	Overall Frame Height (mm)	Internal Tray Depth (mm)	Weight (kg)	GLVW (Tonnes)	Max. wheel load	
							Pneumatic Tyre (Tonnes)	Solid Tyre (Tonnes)
416783	635 x 635	733 x 733	73	69	11.8	5	1.5	N/A
416784	675 x 675	773 x 773	73	69	12.6	5	1.5	N/A
416785	700 x 700	798 x 798	73	69	12.8	5	1.5	N/A
416786	750 x 750	848 x 848	73	69	14.5	5	1.5	N/A
416787	800 x 800	898 x 898	73	69	16.2	5	1.5	N/A
416789	900 x 900	998 x 998	73	69	19.1	5	1.5	N/A
416788	1000 x 800	1098 x 898	73	69	19.2	5	1.5	N/A
416790	1000 x 1000	1098 x 1098	73	69	22.2	5	1.5	N/A

* Declared load tested to FACTA class AA filled with grade C35/45 concrete to allow a 15mm depth for flooring material.

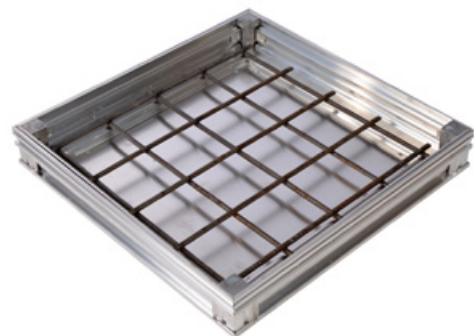
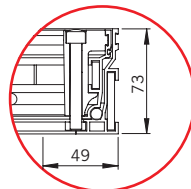
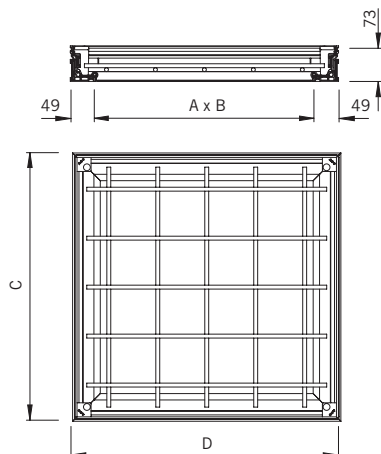




ACO UniFace™ AL - Aluminium single recessed access covers

Product code	Clear opening (AxB) (mm)	Overall Frame Size (Cx D) (mm)	Overall Frame Height (mm)	Internal Tray Depth (mm)	Weight (kg)	GLVW (Tonnes)	Max. wheel load	
							Pneumatic Tyre (Tonnes)	Solid Tyre (Tonnes)
416770	200 x 200	298 x 298	73	69	3.7	10	2.5	0.5
416771	300 x 300	398 x 398	73	69	5.7	10	2.5	0.5
416772	400 x 400	498 x 498	73	69	7.3	10	2.5	0.5
416774	450 x 450	548 x 548	73	69	7.8	10	2.5	0.5
416776	500 x 500	598 x 598	73	69	9.2	10	2.5	0.5
416773	600 x 400	698 x 498	73	69	8.6	10	2.5	0.5
416775	600 x 450	698 x 548	73	69	9.3	10	2.5	0.5
416777	600 x 600	698 x 698	73	69	11.5	10	2.5	0.5
416778	750 x 600	848 x 698	73	69	12.4	10	2.5	0.5
416779	800 x 600	898 x 698	73	69	12.7	10	2.5	0.5
416780	900 x 600	998 x 698	73	69	14.6	10	2.5	0.5
416781	1000 x 600	1098 x 698	73	69	15.7	10	2.5	0.5
416782	1200 x 600	1298 x 698	73	69	18.0	10	2.5	0.5

* Declared load tested to FACTA AAA filled with grade C35/45 concrete to allow a 15mm depth for flooring material.



ACO UniFace™ AL - Cover spares

Product code	Description	Weight (kg)
406630	Lifting/locking key set (2 x Keys)	0.2
407191	Locking screw and dust cap set (4 x screws and dust caps)	0.1



Note: All dimensions and weights shown are subject to tolerances and are for guidance purposes only.

ACO UniFace™ AL DUCT

ACO UniFace™ AL DUCT recessed access covers are an ideal option for internal multi-cover ducting applications. Made to order, our ACO UniFace™ AL DUCT covers are supplied as standard with our triple sealing system for liquid/odour/dust-tight applications, four point stainless steel locking and easy to remove support beams for unimpeded access. FACTA class AA option available.

FEATURES

Single row clear openings from 200mm to 1200mm and lengths to suit individual requirements



Easy-to-remove support beams for unimpeded access

ACO UniFace™ AL DUCT - Aluminium multi part recessed access covers



Size Range	GLVW (Tonnes)	Max. wheel load Pneumatic Tyre (Tonnes)	Max. wheel load Solid Tyre (Tonnes)
ACO UniFace™ AL Duct covers can be supplied for clear openings from 200mm up to 1000mm and in lengths to suit individual customer requirements. Please contact our sales enquiries team for further details.	Up to 5 tonnes	1.5	N/A

* Declared load tested to FACTA AA filled with grade C35/45 concrete to allow a 15mm depth for flooring material.

ACO UniFace™ GS and SS Recessed Access Cover Range

Hot dipped galvanised steel and stainless steel grade 304 recessed floor access covers with a frame depth of 83mm. Ideal for pedestrian, light vehicle and medium duty fork-lift truck areas. Wide range of size options available for clear openings of between 300mm and 1200mm. Manual lift single, gas spring assisted and multipart recessed access cover options available. All covers fitted with EPDM liquid and odour seals as standard with either two or four point stainless steel locking. Covers can also be supplied in stainless steel grade 316 to special order.

Ideal applications

- ▶ Shopping centres
- ▶ Transport hubs
- ▶ Hospitals
- ▶ Schools
- ▶ Kitchens
- ▶ Warehousing
- ▶ Landscaping

Suitable flooring types

- ▶ Concrete
- ▶ Epoxy
- ▶ Terrazzo
- ▶ Ceramic tiles
- ▶ Carpet
- ▶ Wood

Options

- ▶ ACO UniFace™ GS and SS manual lift single recessed access covers
- ▶ ACO UniFace™ GS and SS ASSIST gas spring assisted single recessed access covers
- ▶ ACO UniFace™ GS and SS MULTI manual lift multipart recessed access covers

FEATURES

Reinforcement provided for long term durability and performance

Durable 4mm steel edges blend discreetly with floor finishes

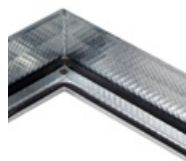
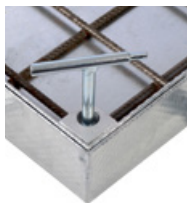
Two Lifting/locking keys and installation manual provided with each access cover.

Easy removal with four corner locking/lifting positions and stainless steel locking bolts and dust caps as standard

Frame only 83mm deep. Light weight tray design suitable for floor finishes of up to 15mm thickness

High performance double EPDM seals for liquid and odour-tight applications




Concrete ties securely anchor frame eliminating movement



ACO UniFace™ GS manufactured from hot dipped galvanised UltraSTEEL®



ACO UniFace™ SS manufactured from stainless steel grade 304

FACTA Class	Gross Laden Vehicle Weight (GLVW)
B 	Up to 25 tonnes
C 	Up to 38 tonnes
D 	Up to 44 tonnes



ACO UniFace™ GS and SS - Galvanised and stainless steel single recessed access covers



GS Product code	SS Product code	Clear opening (AxB) (mm)	Overall Frame Size (Cx D) (mm)	Overall Frame Height (mm)	Internal Tray Depth (mm)	Weight (kg)	GLVW (Tonnes)	Max. wheel load	
								Pneumatic Tyre (Tonnes)	Solid Tyre (Tonnes)
415867	415896	635 x 635	745 x 745	83	70	21.5	25	5.0	0.75
415868	415897	700 x 700	810 x 810	83	70	23.8	25	5.0	0.75
415869	415898	800 x 800	910 x 910	83	70	28.4	25	5.0	0.75
415870	415899	1000 x 800	1110 x 910	83	70	33.1	25	5.0	0.75
415871	415900	1000 x 1000	1110 x 1110	83	70	38.6	25	5.0	0.75

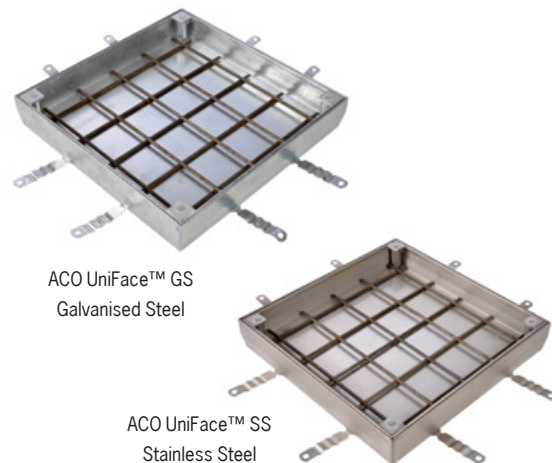
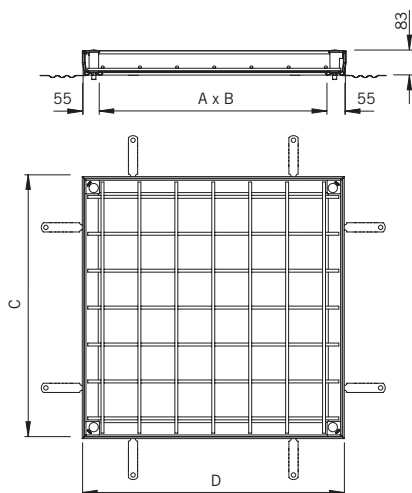
* Declared load tested to FACTA class B filled with grade C35/45 concrete to allow a 15mm depth for flooring material.

ACO UniFace™ GS and SS - Galvanised and stainless steel single recessed access covers



GS Product code	SS Product code	Clear opening (AxB) (mm)	Overall Frame Size (Cx D) (mm)	Overall Frame Height (mm)	Internal Tray Depth (mm)	Weight (kg)	GLVW (Tonnes)	Max. wheel load	
								Pneumatic Tyre (Tonnes)	Solid Tyre (Tonnes)
415861	415890	450 x 450	560 x 560	83	70	13.6	38	6.5	1.0
415862	415891	500 x 500	610 x 610	83	70	14.8	38	6.5	1.0
445668	445669	600 x 450	710 x 560	83	70	15.4	38	6.5	1.0
415863	415892	600 x 600	710 x 710	83	70	18.1	38	6.5	1.0
445672	445673	750 x 600	860 x 710	83	70	22.8	38	6.5	1.0
415864	415893	800 x 600	910 x 710	83	70	23.7	38	6.5	1.0
445750	445751	900 x 600	1010 x 710	83	70	25.4	38	6.5	1.0
415865	415894	1000 x 600	1110 x 710	83	70	27.6	38	6.5	1.0
415866	415895	1200 x 600	1310 x 710	83	70	31.5	38	6.5	1.0

* Declared load tested to FACTA class C filled with grade C35/45 concrete to allow a 15mm depth for flooring material.



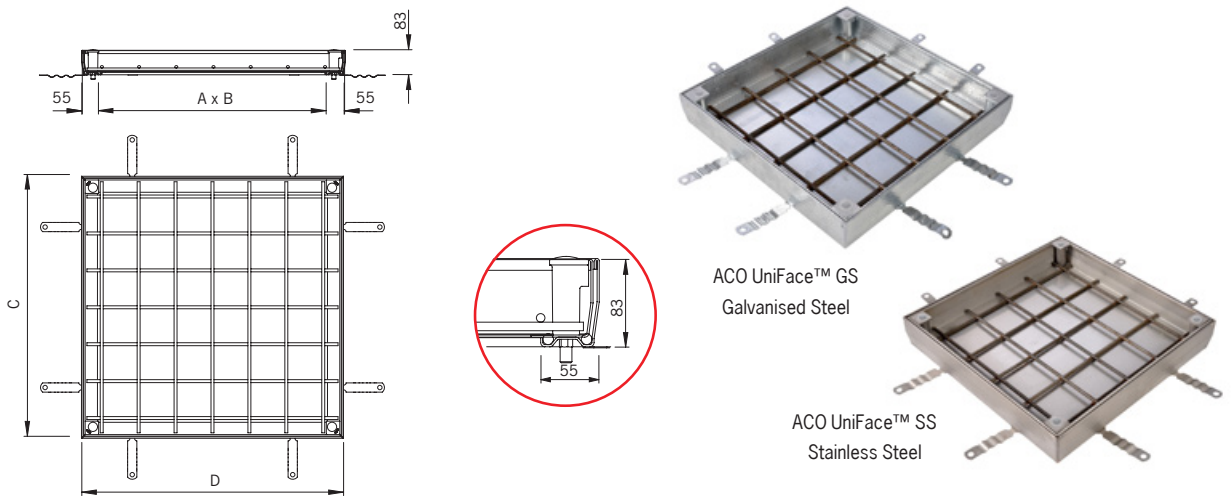
Note: All dimensions and weights shown are subject to tolerances and are for guidance purposes only. Weights shown are for UniFace™ GS access covers only.

ACO UniFace™ GS and SS - Galvanised and stainless steel single recessed access covers



GS Product code	SS Product code	Clear opening (AxB) (mm)	Overall Frame Size (Cx D) (mm)	Overall Frame Height (mm)	Internal Tray Depth (mm)	Weight (kg)	GLVW (Tonnes)	Max. wheel load	
								Pneumatic Tyre (Tonnes)	Solid Tyre (Tonnes)
415858	415887	300 x 300	410 x 410	83	70	9.3	44	11.0	3.0
415859	415888	400 x 400	510 x 510	83	70	11.9	44	11.0	3.0
415872	415901	450 x 450	560 x 560	83	110	13.7	44	11.0	3.0
415873	415902	500 x 500	610 x 610	83	110	15.0	44	11.0	3.0
415860	415889	600 x 400	710 x 510	83	70	14.7	44	11.0	3.0
445670	445671	600 x 450	710 x 560	83	110	15.7	44	11.0	3.0
415874	415903	600 x 600	710 x 710	83	110	18.3	44	11.0	3.0
415877	415906	635 x 635	745 x 745	83	110	21.3	44	11.0	3.0
445674	445675	750 x 600	860 x 710	83	110	23.5	44	11.0	3.0
415878	415907	700 x 700	810 x 810	83	110	24.3	44	11.0	3.0
445676	445677	750 x 750	860 x 860	83	110	26.1	44	11.0	3.0
415875	415904	800 x 600	910 x 710	83	110	24.3	44	11.0	3.0
415879	415908	800 x 800	910 x 910	83	110	29.1	44	11.0	3.0
445752	445753	900 x 600	1010 x 710	83	110	26.1	44	11.0	3.0
445680	445681	900 x 900	1010 x 1010	83	110	32.7	44	11.0	3.0
415876	415905	1000 x 600	1110 x 710	83	110	28.8	44	11.0	3.0
415880	415909	1000 x 800	1110 x 910	83	110	30.9	44	11.0	3.0
415881	415910	1000 x 1000	1110 x 1110	83	110	39.6	44	11.0	3.0

* Declared load tested to FACTA class D filled with grade C35/45 concrete to allow a 15mm depth for flooring material.



ACO UniFace™ GS and SS - Cover spares

Product code	Description	Weight (kg)
416960	Lifting/locking key set (2 x Keys)	0.4
416961	Locking screw and dust cap set (4 x screws and dust caps)	0.1



Note: All dimensions and weights shown are subject to tolerances and are for guidance purposes only. Weights shown are for UniFace™ GS access covers only.

ACO UniFace™ GS and SS ASSIST

Hot dipped galvanised and stainless steel grade 304 gas spring assisted single recessed floor access covers designed for one person minimal effort operation ideal for areas where frequent access is required. With a frame depth of 89mm, these hinged covers are ideal for pedestrian, light vehicle and medium duty fork-lift truck areas. Wide range of size options available for clear openings of between 400mm and 1000mm. Covers can also be supplied in stainless steel grade 316 to special order.

FEATURES




Self locking safety stay

Hinge blocks unbolt allowing cover to be completely removed for unimpeded access

Gas spring assist for minimal effort easy one person operation

High performance single EPDM seals for liquid and odour-tight applications

Two corner locking/lifting positions and stainless steel locking bolts with dust caps as standard

FACTA Class	Gross Laden Vehicle Weight (GLVW)
B 	Up to 25 tonnes
C 	Up to 38 tonnes
D 	Up to 44 tonnes

ACO UniFace™ GS and SS ASSIST - Galvanised and stainless steel gas spring assisted single recessed access covers



GS Product code	SS Product code	Clear opening (AxB) (mm)	Overall Frame Size (Cx D) (mm)	Overall Frame Height (mm)	Internal Tray Depth (mm)	Weight (kg)	GLVW (Tonnes)	Max. wheel load	
								Pneumatic Tyre (Tonnes)	Solid Tyre (Tonnes)
406540	406532	800 x 800	942 x 975	89	70	54.5	25	5.0	0.75
414951	414950	1000 x 800	1142 x 975	89	70	58.4	25	5.0	0.75
406541	406533	1000 x 1000	1142 x 1175	89	70	68.0	25	5.0	0.75

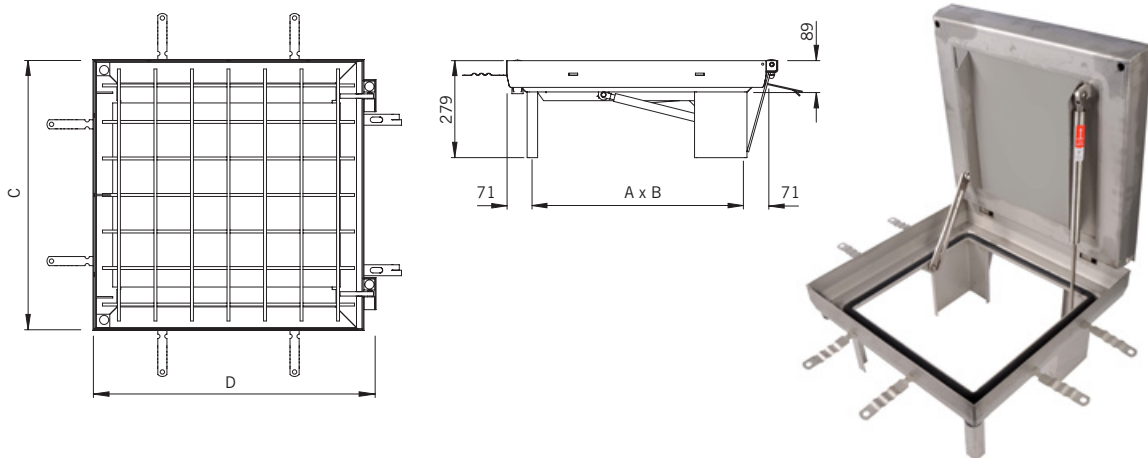
* Declared load tested to FACTA class B filled with grade C35/45 concrete to allow a 15mm depth for flooring material.

ACO UniFace™ GS and SS ASSIST - Galvanised and stainless steel gas spring assisted single recessed access covers



GS Product code	SS Product code	Clear opening (AxB) (mm)	Overall Frame Size (Cx D) (mm)	Overall Frame Height (mm)	Internal Tray Depth (mm)	Weight (kg)	GLVW (Tonnes)	Max. wheel load	
								Pneumatic Tyre (Tonnes)	Solid Tyre (Tonnes)
445684	445685	450 x 450	592 x 625	89	70	29.4	38	6.5	1.0
406538	406530	500 x 500	642 x 675	89	70	31.5	38	6.5	1.0
445686	445687	600 x 450	742 x 625	89	70	32.9	38	6.5	1.0
406539	406531	600 x 600	742 x 775	89	70	38.0	38	6.5	1.0
445688	445689	750 x 600	892 x 775	89	70	43.2	38	6.5	1.0
445754	445755	750 x 750	892 x 925	89	70	51.9	38	6.5	1.0
408713	408712	800 x 600	942 x 775	89	70	44.5	38	6.5	1.0
445690	445691	900 x 600	1042 x 775	89	70	47.1	38	6.5	1.0
445694	445695	1000 x 600	1142 x 775	89	70	49.7	38	6.5	1.0

* Declared load tested to FACTA class C filled with grade C35/45 concrete to allow a 15mm depth for flooring material.



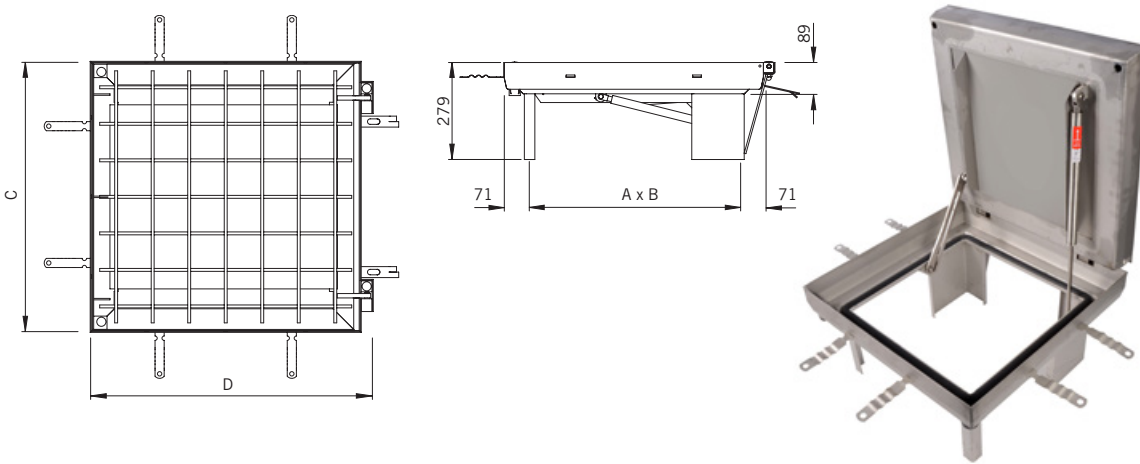
Note: All dimensions and weights shown are subject to tolerances and are for guidance purposes only. Weights shown are for UniFace™ GS ASSIST access covers only.

ACO UniFace™ GS and SS ASSIST - Galvanised and stainless steel gas spring assisted single recessed access covers



GS Product code	SS Product code	Clear opening (AxB) (mm)	Overall Frame Size (Cx D) (mm)	Overall Frame Height (mm)	Internal Tray Depth (mm)	Weight (kg)	GLVW (Tonnes)	Max. wheel load	
								Pneumatic Tyre (Tonnes)	Solid Tyre (Tonnes)
406537	406529	400 x 400	542 x 575	89	70	26.5	44	11.0	3.0
406542	406534	500 x 500	642 x 675	89	110	31.5	44	11.0	3.0
406543	406535	600 x 600	742 x 775	89	110	38.0	44	11.0	3.0
406544	406536	800 x 800	942 x 975	89	110	54.0	44	11.0	3.0
445692	445693	900 x 900	1042 x 1075	89	110	59.3	44	11.0	3.0

* Declared load tested to FACTA class D filled with grade C35/45 concrete to allow a 15mm depth for flooring material.



ACO UniFace™ GS and SS ASSIST - Cover spares

Product code	Description	Weight (kg)
400528	Lifting/locking key set (2 x Keys)	0.5
417449	Locking screw and dust cap set (2 x screws and dust caps)	0.1



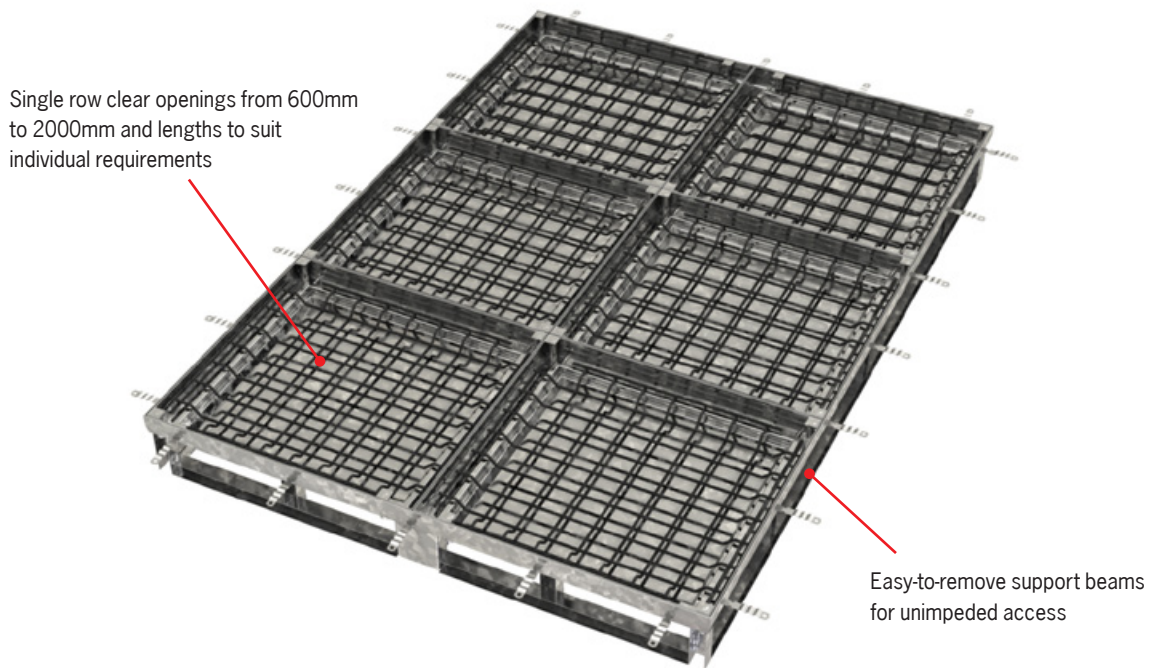
Note: All dimensions and weights shown are subject to tolerances and are for guidance purposes only. Weights shown are for UniFace™ GS ASSIST access covers only.



ACO UniFace™ GS and SS MULTI

ACO UniFace™ GS and SS Multi recessed covers are an ideal option for internal multi-cover applications. Made to order, our ACO UniFace™ GS and SS Multi covers are supplied as standard with our double sealing system for liquid/odour tight applications, four point stainless steel locking and easy-to-remove support beams for unimpeded access. FACTA class B, C and D options available.

FEATURES



ACO UniFace™ GS and SS MULTI - Galvanised and stainless steel multi part recessed access covers



Size Range	GLWV (Tonnes)	Max. wheel load	
		Pneumatic Tyre (Tonnes)	Solid Tyre (Tonnes)
ACO UniFace™ GS and SS MULTI covers can be supplied for clear openings from 600mm up to 2000mm in lengths to suit individual customer requirements. Please contact our sales enquiries team for further details.	Up to 44	Up to 11.0	Up to 3.0

* Declared load tested to FACTA up to class D filled with grade C35/45 concrete to allow a 15mm depth for flooring material.

Note: All dimensions and weights shown are subject to tolerances and are for guidance purposes only.



ACO UniTop™ AL SOLID Access Cover Range

High quality aluminium single solid floor access covers with a frame depth of 38mm. Ideal for pedestrian, trolley and light duty car/van traffic applications. Wide range of size options available for clear openings of between 200mm and 1000mm. Manual lift single recessed cover option available. All covers fitted with a single EPDM liquid and odour seal as standard with four or eight point stainless steel locking.

Ideal applications

- ▶ Leisure facilities
- ▶ Landscaping
- ▶ Swimming pools
- ▶ Hospitals
- ▶ Schools
- ▶ Plant rooms
- ▶ Kitchens

Suitable flooring types

- ▶ Concrete
- ▶ Screed
- ▶ Epoxy screed
- ▶ Epoxy

Options

- ▶ ACO UniTop™ AL SOLID manual lift single solid access covers

FEATURES


Two lifting/locking keys and installation manual provided with each access cover

Raised slip resistant surface for improved safety

Easy removal with four or eight point locking/lifting positions. Stainless steel countersunk locking bolts and dust caps as standard

Shallow frame only 38mm deep

High performance single EPDM seals for liquid and odour-tight applications

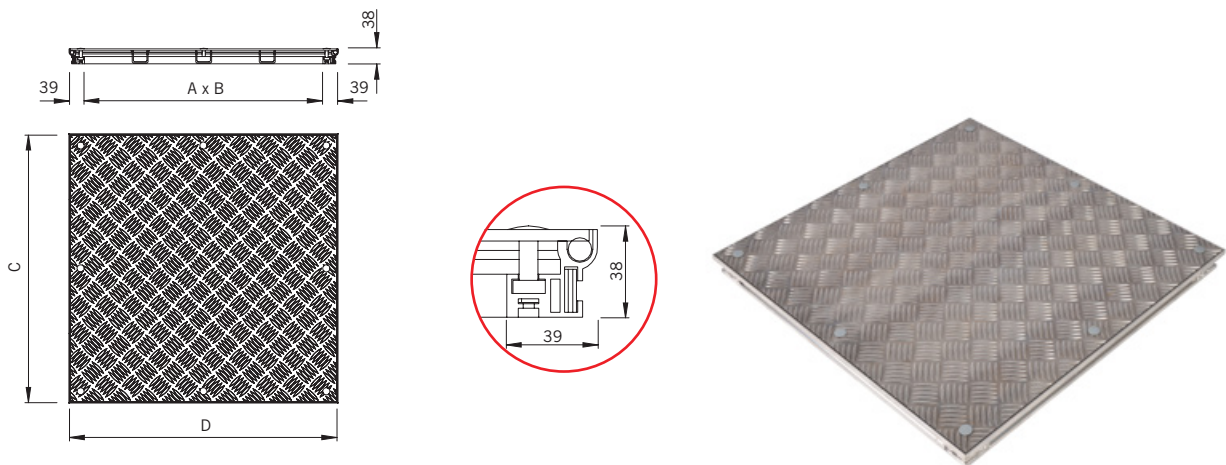
FACTA Class	Gross Laden Vehicle Weight (GLVW)
AA 	Up to 5 tonnes



ACO UniTop™ AL SOLID - Aluminium single solid access covers

Product code	Clear Opening (AxB) (mm)	Overall Frame Size (CxD) (mm)	Overall Frame Height (mm)	Weight (kg)	GLVW (Tonnes)	Max. wheel load	
						Pneumatic Tyre (Tonnes)	Solid Tyre (Tonnes)
408981	200 x 200	278 x 278	38	3.1	5	1.5	N/A
408982	300 x 300	378 x 378	38	4.5	5	1.5	N/A
408983	400 x 400	478 x 478	38	6.2	5	1.5	N/A
408984	450 x 450	528 x 528	38	7.1	5	1.5	N/A
408985	500 x 500	578 x 578	38	8.4	5	1.5	N/A
408986	600 x 400	678 x 478	38	8.2	5	1.5	N/A
445746	600 x 450	678 x 528	38	8.6	5	1.5	N/A
408987	600 x 600	678 x 678	38	11.1	5	1.5	N/A
408988	700 x 700	778 x 778	38	13.6	5	1.5	N/A
445747	750 x 600	828 x 678	38	13.2	5	1.5	N/A
445748	750 x 750	828 x 828	38	15.9	5	1.5	N/A
408989	800 x 600	878 x 678	38	13.7	5	1.5	N/A
408990	800 x 800	878 x 878	38	17.0	5	1.5	N/A
445749	900 x 600	978 x 678	38	14.7	5	1.5	N/A
408991	900 x 900	978 x 978	38	20.2	5	1.5	N/A
408992	1000 x 600	1078 x 678	38	15.9	5	1.5	N/A
408993	1000 x 800	1078 x 878	38	19.8	5	1.5	N/A
408994	1000 x 1000	1078 x 1078	38	24.7	5	1.5	N/A

* Declared load tested to FACTA AA.



ACO UniTop™ AL SOLID - Cover spares

Product code	Description	Weight (kg)
416956	Lifting/locking key set (2 x Keys)	0.3
416962	Locking screw and dust cap set (4 x screws and dust caps)	0.2



Note: All dimensions and weights shown are subject to tolerances and are for guidance purposes only.

ACO UniTop™ GS and SS SOLID Access Cover Range

Hot dipped galvanised steel and stainless steel grade 304 single solid floor access covers with a frame depth of 60mm. Ideal for pedestrian, light vehicles and pallet truck areas. Wide range of size options available for clear openings of between 300mm and 1000mm. Manual lift single, gas spring assisted and duct multipart recessed access cover options available. All covers fitted with a single EPDM liquid and odour seal as standard with four, five or eight point stainless steel locking. Covers can also be supplied in stainless steel grade 316 to special order.

Ideal applications

- ▶ Leisure facilities
- ▶ Landscaping
- ▶ Hospitals
- ▶ Schools
- ▶ Warehousing
- ▶ Factory areas
- ▶ Plant rooms
- ▶ Kitchens

Suitable flooring types

- ▶ Concrete
- ▶ Screed
- ▶ Epoxy

Options

- ▶ ACO UniTop™ GS and SS SOLID manual lift single solid access covers
- ▶ ACO UniTop™ GS and SS ASSIST gas spring assisted single solid access covers
- ▶ ACO UniTop™ GS and SS SOLID DUCT manual lift multipart solid access covers

FEATURES

Two lifting/locking keys and installation manual provided with each access cover



Frame only 60mm deep



Concrete ties securely anchor frame eliminating movement

High performance single EPDM seals for liquid and odour-tight applications

Raised slip resistant surface for improved safety

Easy removal with four, five or eight point locking/lifting positions. Stainless steel countersunk locking bolts and dust caps as standard

-  ACO UniTop™ GS SOLID manufactured from hot dipped galvanised steel
-  ACO UniTop™ SS SOLID manufactured from stainless steel grade 304

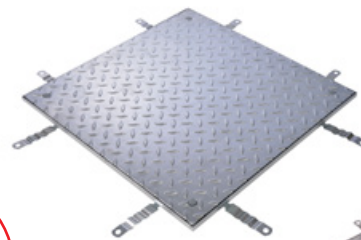
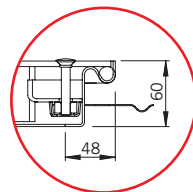
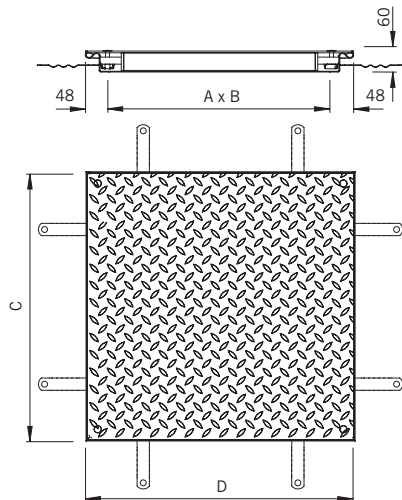
FACTA Class	Gross Laden Vehicle Weight (GLVW)
AAA 	Up to 10 tonnes
B 	Up to 25 tonnes

ACO UniTop™ GS and SS SOLID - Galvanised and stainless steel single solid access covers

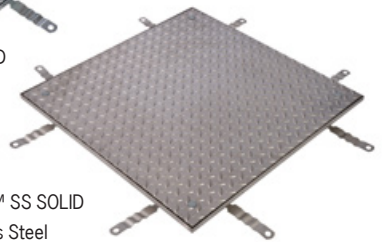


GS Product code	SS Product code	Clear opening (AxB) (mm)	Overall Frame Size (Cx D) (mm)	Overall Frame Height (mm)	Weight (kg)	GLVW (Tonnes)	Max. wheel load	
							Pneumatic Tyre (Tonnes)	Solid Tyre (Tonnes)
403868	403860	300 x 300	396 x 396	60	11.2	10	2.5	0.5
403869	403861	450 x 450	546 x 546	60	18.7	10	2.5	0.5
403870	403862	500 x 500	596 x 596	60	20.8	10	2.5	0.5
403871	403863	600 x 400	696 x 496	60	20.6	10	2.5	0.5
445701	445702	600 x 450	696 x 546	60	21.6	10	2.5	0.5
403912	403909	600 x 600	696 x 696	60	26.9	10	2.5	0.5
403872	403864	635 x 635	731 x 731	60	32.0	10	2.5	0.5
445705	445706	750 x 600	846 x 696	60	34.8	10	2.5	0.5
445709	445710	750 x 750	846 x 846	60	41.5	10	2.5	0.5
403873	403865	800 x 600	896 x 696	60	36.1	10	2.5	0.5
403913	403910	800 x 800	896 x 896	60	44.3	10	2.5	0.5
445713	445714	900 x 600	996 x 696	60	38.7	10	2.5	0.5
445717	445718	900 x 900	996 x 996	60	56.2	10	2.5	0.5
403874	403866	1000 x 600	1096 x 696	60	42.8	10	2.5	0.5
403875	403867	1000 x 800	1096 x 896	60	52.8	10	2.5	0.5
403914	403911	1000 x 1000	1096 x 1096	60	62.4	10	2.5	0.5

* Declared load tested to FACTA class AAA.



ACO UniTop™ GS SOLID
Galvanised Steel



ACO UniTop™ SS SOLID
Stainless Steel

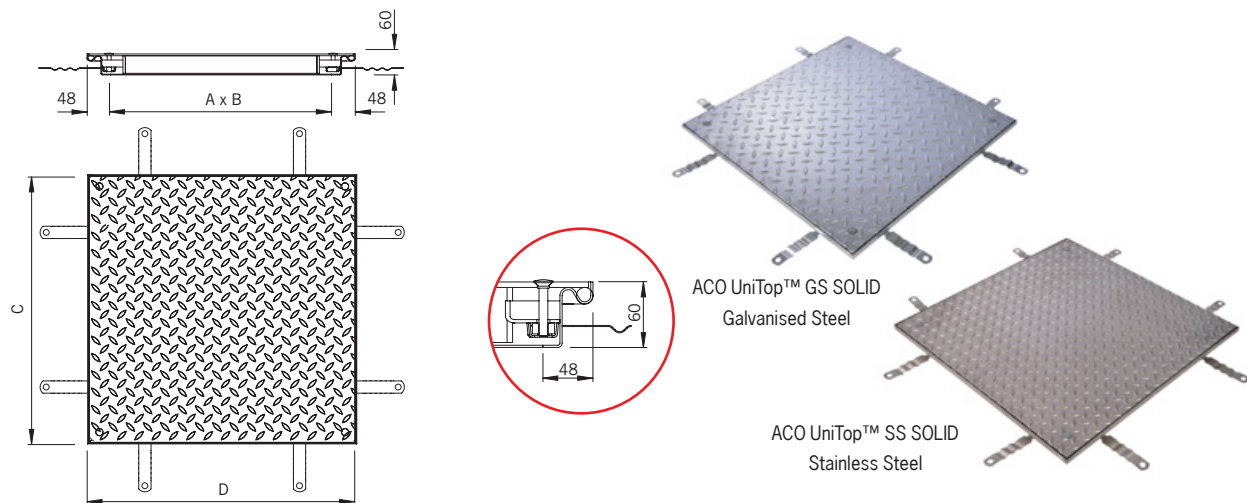
Note: All dimensions and weights shown are subject to tolerances and are for guidance purposes only. Weights shown are for UniTop™ GS access covers only.

ACO UniTop™ GS and SS SOLID - Galvanised and stainless steel single solid access covers



GS Product code	SS Product code	Clear opening (AxB) (mm)	Overall Frame Size (CxD) (mm)	Overall Frame Height (mm)	Weight (kg)	GLVW (Tonnes)	Max. wheel load	
							Pneumatic Tyre (Tonnes)	Solid Tyre (Tonnes)
403898	403887	300 x 300	396 x 396	60	14.9	25	5.0	0.75
403899	403888	450 x 450	546 x 546	60	25.5	25	5.0	0.75
403900	403889	500 x 500	596 x 596	60	28.5	25	5.0	0.75
403901	403890	600 x 400	696 x 496	60	28.2	25	5.0	0.75
445703	445704	600 x 450	696 x 546	60	29.6	25	5.0	0.75
403902	403891	600 x 600	696 x 696	60	35.5	25	5.0	0.75
403903	403892	635 x 635	731 x 731	60	45.6	25	5.0	0.75
445707	445708	750 x 600	846 x 696	60	48.4	25	5.0	0.75
445711	445712	750 x 750	846 x 846	60	60.5	25	5.0	0.75
403904	403893	800 x 600	896 x 696	60	50.2	25	5.0	0.75
403905	403894	800 x 800	896 x 896	60	64.5	25	5.0	0.75
445715	445716	900 x 600	996 x 696	60	53.8	25	5.0	0.75
445719	445720	900 x 900	996 x 996	60	76.1	25	5.0	0.75
403906	403895	1000 x 600	1096 x 696	60	27.9	25	5.0	0.75
403907	403896	1000 x 800	1096 x 896	60	73.7	25	5.0	0.75
403908	403897	1000 x 1000	1096 x 1096	60	84.6	25	5.0	0.75

* Declared load tested to FACTA class B.



ACO UniTop™ GS and SS SOLID - Cover spares

Product code	Description	Weight (kg)
416956	Lifting/locking key set (2 x Keys)	0.3
416957	Locking screw and dust cap set (4 x screws and dust caps)	0.2



Note: All dimensions and weights shown are subject to tolerances and are for guidance purposes only. Weights shown are for UniTop™ GS access covers only.

ACO UniTop™ GS and SS SOLID ASSIST

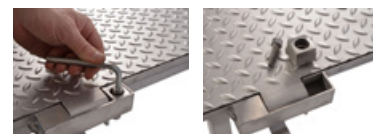
Hot dipped galvanised steel and stainless steel grade 304 gas spring assisted single solid floor access covers for one person minimal effort operation. Ideal for areas where frequent access is required. With a frame depth of 60mm these hinged covers are ideal for pedestrian, light vehicle and pallet truck areas. Wide range of size options available for clear openings of between 450mm and 1000mm. Covers can also be supplied in stainless steel grade 316 to special order.

FEATURES

Self locking safety stay



Hinge blocks unbolt allowing cover to be completely removed for unimpeded access



High performance single EPDM seals for liquid and odour-tight applications



Two or five locking/lifting positions and stainless steel locking bolts with dust caps as standard



Gas spring assist for minimal effort easy one person operation



ACO UniTop™ GS and SS SOLID ASSIST - Galvanised and stainless steel gas spring assisted single solid access covers



GS Product code	SS Product code	Clear opening (AxB) (mm)	Overall Frame Size (Cx D) (mm)	Overall Frame Height (mm)	Weight (kg)	GLVW (Tonnes)	Max. wheel load	
							Pneumatic Tyre (Tonnes)	Solid Tyre (Tonnes)
445721	445722	450 x 450	546 x 580	60	23.2	10	2.5	0.5
415205	415217	500 x 500	596 x 630	60	25.5	10	2.5	0.5
445725	445726	600 x 450	696 x 580	60	26.7	10	2.5	0.5
415206	415218	600 x 600	696 x 730	60	31.7	10	2.5	0.5
415207	415219	700 x 700	796 x 830	60	44.5	10	2.5	0.5
445730	445729	750 x 600	846 x 730	60	39.8	10	2.5	0.5
445734	445733	750 x 750	846 x 880	60	46.5	10	2.5	0.5
415208	415220	800 x 800	896 x 930	60	49.4	10	2.5	0.5
445738	445737	900 x 600	996 x 730	60	46.5	10	2.5	0.5
415209	415221	900 x 900	996 x 1030	60	56.1	10	2.5	0.5
445742	445741	1000 x 600	1096 x 730	60	49.4	10	2.5	0.5
415210	415222	1000 x 1000	1096 x 1130	60	59.5	10	2.5	0.5

* Declared load tested to FACTA class AAA.

Note: All dimensions and weights shown are subject to tolerances and are for guidance purposes only. Weights shown are for UniTop™ GS ASSIST access covers only.

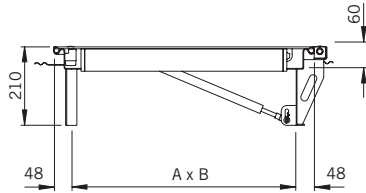
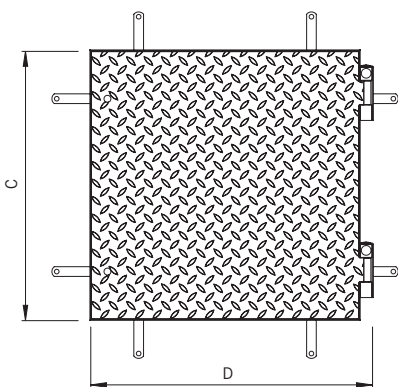


ACO UniTop™ GS and SS SOLID ASSIST - Galvanised and stainless steel gas spring assisted single solid access covers



GS Product code	SS Product code	Clear opening (AxB) (mm)	Overall Frame Size (Cx D) (mm)	Overall Frame Height (mm)	Weight (kg)	GLVW (Tonnes)	Max. wheel load	
							Pneumatic Tyre (Tonnes)	Solid Tyre (Tonnes)
445723	445724	450 x 450	546 x 580	60	29.8	25	5.0	0.75
415211	415223	500 x 500	596 x 630	60	32.8	25	5.0	0.75
445727	445728	600 x 450	696 x 580	60	34.3	25	5.0	0.75
415212	415224	600 x 600	696 x 730	60	39.6	25	5.0	0.75
415213	415225	700 x 700	796 x 830	60	53.4	25	5.0	0.75
445732	445731	750 x 600	846 x 730	60	53.1	25	5.0	0.75
445736	445735	750 x 750	846 x 880	60	64.4	25	5.0	0.75
415214	415226	800 x 800	896 x 930	60	68.5	25	5.0	0.75
445740	445739	900 x 600	996 x 730	60	64.4	25	5.0	0.75
415215	415227	900 x 900	996 x 1030	60	76.6	25	5.0	0.75
445744	445743	1000 x 600	1096 x 730	60	68.5	25	5.0	0.75
415216	415228	1000 x 1000	1096 x 1130	60	90.6	25	5.0	0.75

* Declared load tested to FACTA class B.



ACO UniTop™ GS and SS SOLID ASSIST - Cover spares

Product code	Description	Weight (kg)
400569	Lifting/locking key set (2 x Keys)	0.4
417450	Locking screw with seals and dust cap set (5 x screws with seals and dust caps)	0.2



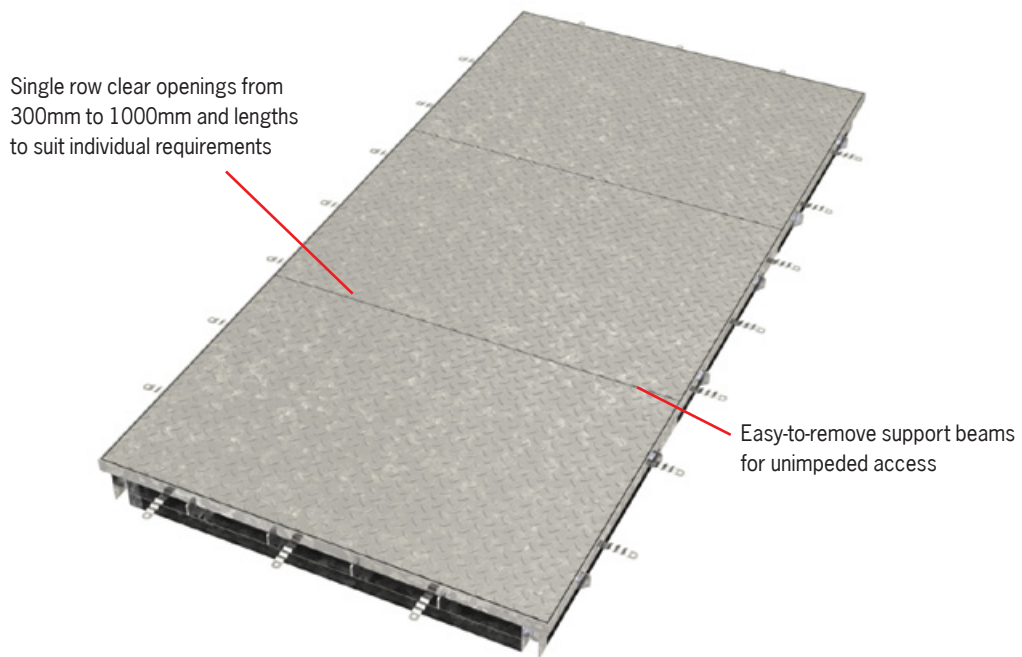
Note: All dimensions and weights shown are subject to tolerances and are for guidance purposes only. Weights shown are for UniTop™ GS ASSIST access covers only.



ACO UniTop™ GS and SS SOLID DUCT

ACO UniTop™ GS and SS Solid Duct access covers are an ideal option for internal or external multi-cover ducting applications. Made to order, our ACO UniTop™ GS and SS Solid Duct covers are supplied as standard with our single sealing system for liquid tight applications, four point stainless steel locking and easy to remove support beams for unimpeded access. FACTA class AAA and B options available.

FEATURES



ACO UniTop™ GS and SS SOLID DUCT - Galvanised and stainless steel multi part solid access covers



Size Range	GLVW (Tonnes)	Max. wheel load Pneumatic Tyre (Tonnes)	Max. wheel load Solid Tyre (Tonnes)
------------	---------------	---	-------------------------------------

ACO UniTop™ GS and SS Solid Duct covers can be supplied for clear openings from 300mm up to 1000mm and in lengths to suit individual customer requirements. Please contact our sales enquiries team for further details.

Up to 25

Up to 5.0

Up to 0.75

* Declared load tested to up to FACTA class B.

Installation, Operation and Maintenance Guide

Installation guide

ACO provides the following installation recommendations and guide as a suitable method of installing ACO UniFace™ and ACO UniTop™ single floor access covers and ASSIST versions. However, customers should ensure the minimum dimensions and installation guidance provided are suitable for the intended application and place of installation. Further engineering advice may be required.

Installation should be made using acceptable levels of workmanship and according to the National Code of Practice (UK BS 8000-0:2014) series of standards.

ACO floor access covers are intended for horizontal installations so that the upper surface of the cover and frame are either flush or slightly below (approximately 2mm) the surrounding finished floor/pavement level. It is recommended that covers remain fitted to their frame at all times during installation. If not there is a possibility the cover will not fit correctly after installation.

We do not recommend the use of our access covers in applications where the temperature will exceed 70°C.

Care must be taken if any surface of the cover or frame may come into contact with installation materials such as high alkaline mortars, concrete, grouts or additives which may react adversely with metallic materials. If in any doubt we recommend that all contact surfaces are primed prior to installation with a suitable barrier paint e.g. bitumastic paint for steel or zinc chromate paint for aluminium.

Mortar and concrete specifications

To enable covers to carry their intended service loads the following minimum material specifications must be used or exceeded.

Frame bedding mortar—minimum class M6 to BS EN 998-2:2016.

Frame haunch and recessed cover structural infill concrete—minimum grade C35/45 concrete to BS EN 206:2013 (maximum aggregate size 10mm).

If access covers are to be used in a wet area, waterproofing additives may be required. Fast-curing cementitious mortars or concrete may be used as long as the performance is at least equivalent to those stated above.

The concrete specified above must not be replaced by screed.

Special instructions for ASSIST installations

For ACO UniFace™ GS and SS ASSIST recessed access cover installations always ensure the safety stay is engaged when the cover is fully open (see image 1). The gas spring must only be fitted once the frame has been installed and the cover has been fully filled with structural concrete as specified in step 7 of this installation guide. Mortar bedding, concrete haunch and structural infill must be fully cured before attempting to fit the gas spring. When fitting the gas spring please note it must be correctly orientated to operate correctly (see image 2). Failure to follow this advice may lead to injury and damage both the access cover and surrounding floor/pavement.



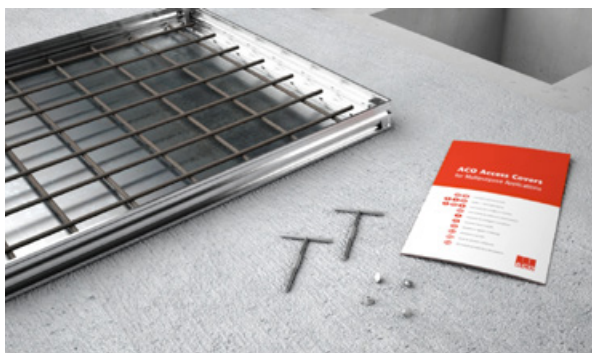
Image 1 — Safety stay engaged



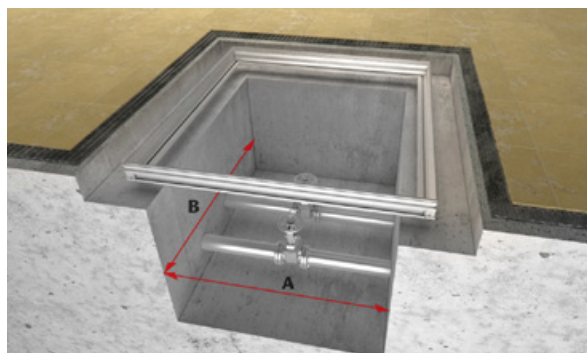
Image 2 — Correctly fitted gas spring



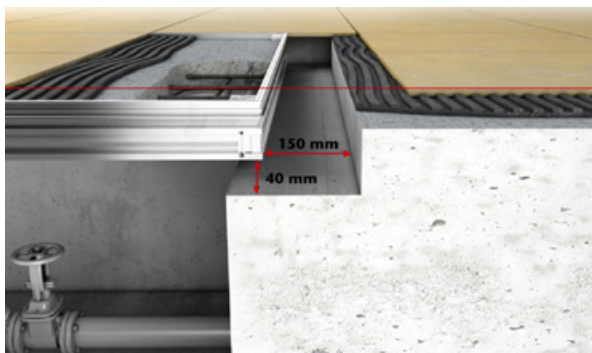
INSTALLATION STEPS



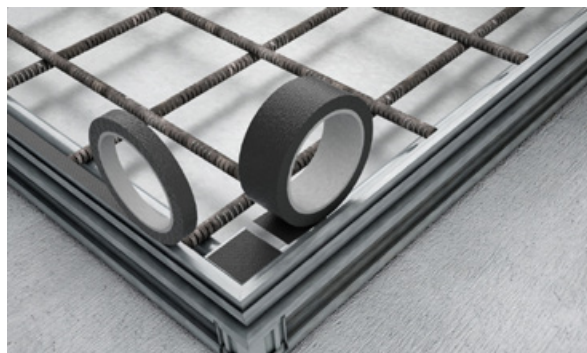
Step 1: All single access covers are delivered with an installation and maintenance booklet, a set of lifting/locking keys, locking screw dust caps, spacer shims and reinforcement mesh (where required).



Step 2: Check that the shaft size is not larger than the clear opening dimension (AxB) of the access cover. The clear opening size of the access cover frame may be up to 20mm larger than the shaft size.



Step 3: A minimum rebate, 150mm wider than the over frame size and 40mm deeper (200mm for UniFace ASSIST and 160mm for UniTop ASSIST versions) than the over frame height of the access cover is to be provided for bedding and haunch material.



Step 4: Ensure upper surfaces of the cover and frame, joints and locking areas are protected from accidental spillages or the ingress of installation materials. This will help reduce the need for cleaning at the end of the installation.



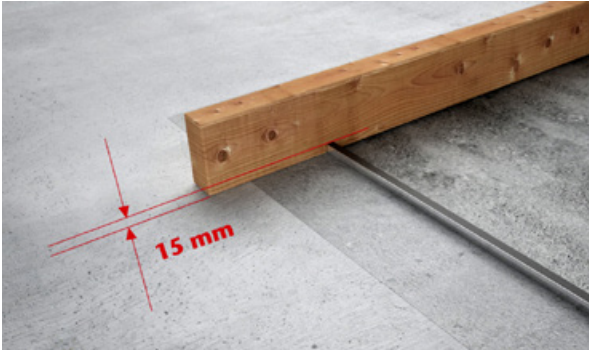
Step 5: Lay a mortar bed of minimum 40mm thickness all round the shaft opening covering the full width of the frame. Minimum mortar class M6 to BS EN 998-2:2016. For ASSIST covers only level the cover and frame centrally over the shaft and shutter internal clear opening. Use minimum grade C35/45 concrete to BS EN 206:2013 to anchor and bed the ASSIST frame. Allow concrete to sufficiently harden before removing shutter. Ensure the ASSIST frame is fully supported by the concrete bed with no voids.



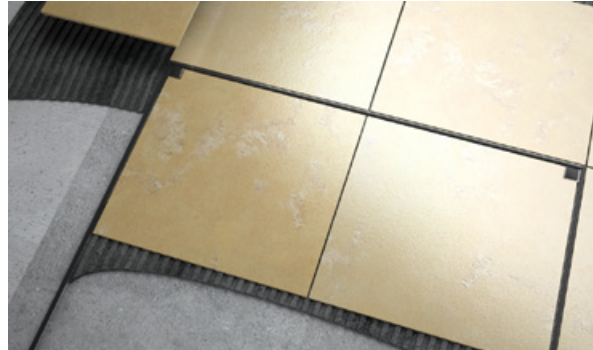
Step 6: Bend out steel anchors horizontally. Bed and level the access cover and frame centrally over the shaft opening. When tapping down to level use a piece of wood to protect metal surfaces. Ensure the frame is fully supported by the mortar bed with no voids. Allow mortar to sufficiently harden. Insert spacers between the frame and cover to maintain an even gap.



INSTALLATION STEPS



Step 7: For recessed covers ensure reinforcement provided is correctly positioned. Haunch the frame fully with concrete (minimum 150mm wide) and fully fill the cover to within 15mm of its upper surface. Use a notched batten to help level concrete. Vibrate concrete where necessary to ensure no voids. Minimum grade C35/45 concrete to BS EN 206:2013 (maximum aggregate size 10mm). Recommended slump S2 or S3.



Step 8: Allow concrete to sufficiently harden and dry out. Remove any spacers or tape protection. The cover can now be opened with the lifting/locking keys provided. If undertaking an ASSIST model installation, the gas spring can now be fitted. Point any gaps in the bedding under the frame if required. Close or refit the cover. The final floor or pavement finish can now be installed.



Step 9: Once the final floor or pavement has been fully installed, remove any excess adhesive or grout from around the cover and frame. Open the cover with the lifting/locking keys provided. Clean all surfaces and ensure the seating areas of the cover, rubber seals and hinges where fitted are free from debris. Lubricate all seals and hinges with a suitable silicone grease.



Step 10: Close/refit the cover and check that there is an even gap between the cover and frame. Insert all locking screws and hand tighten to securely lock the cover. Refit all locking screws dust caps. Once all installation materials have fully cured, the access cover is now ready for use and service loads. Retain all spare parts, the installation and maintenance booklet and lifting/locking keys for future use.



Operation

Before attempting to open/remove the access cover, assess whether it is safe to do so. When the cover is removed there is the potential to fall into the open shaft below so take precautions to prevent accidental entry. Access covers can also be heavy so care should be taken when opening/removing them. The correct manual handling techniques and tools should be used when opening/lifting access covers. Where possible use mechanical lifting aids (supplied by others).

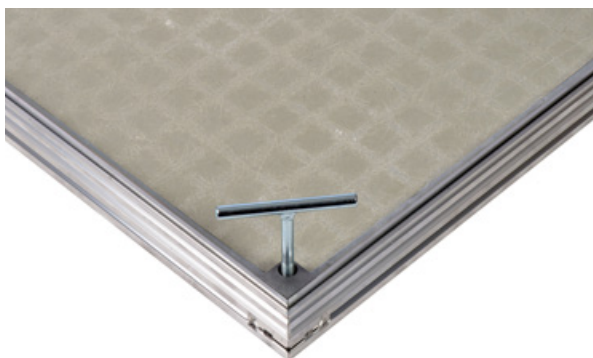
OPENING/LIFTING THE COVER



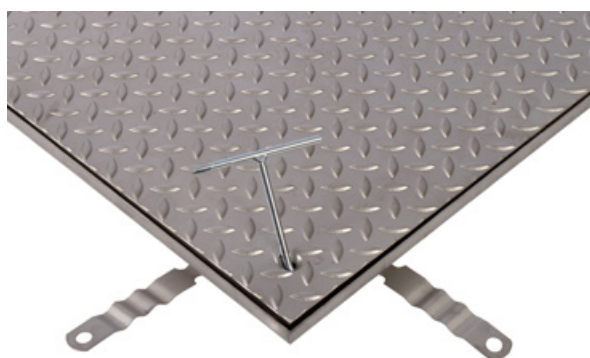
Step 1: Firstly remove the dust caps fitted to the locking screws with a screw driver.



Step 2: Unscrew and remove the locking screws with the lifting/locking keys provided. Take care when unscrewing the locking screws on ASSIST versions as the cover may start to open automatically once the screws are unfastened. If this happens simply hold the cover in place until ready to be fully opened.



Step 3: For recessed covers use at least two lifting/locking keys and insert the threaded section of the key into diagonally opposite locking positions (ASSIST versions insert keys into locking positions on the opposite side to the hinges). Screw in both keys evenly until the cover raises slightly. Apply one more full turn to each key. The cover is now ready to be opened/lifted.



Step 4: For solid covers use at least two lifting/locking keys and insert the hook section of each key through diagonally opposite the locking positions (ASSIST versions in-sert keys into locking positions on the opposite side to the hinges). The cover is now ready to be opened/lifted.

Step 5: Using the lifting/locking keys provided (or mechanical lifting aids supplied by others), lift the cover vertically clear of the frame and slide it to the side taking precautions not to damage the surrounding floor/pavement surface. To open ASSIST covers allow the cover to rise automatically until minimal effort is required via the lifting/locking keys to fully open the cover. The cover is fully open when the safety stay engages as shown below.



Closing/replacing the cover

Step 1: Ensure the seating areas of the cover, rubber seals and hinges where fitted are free from debris and undamaged.

Step 2: Using the methods previously described for cover opening/lifting, place the cover back into the frame ensuring there is an even gap between the frame and cover. To close ASSIST covers, open the cover slightly whilst lifting the safety stay to disengage it. Apply a slight downward pressure to the cover to close it. Take care whilst lifting or closing covers to ensure nothing is trapped during the process.

Step 3: Unscrew or remove lifting/locking keys and replace all locking screws and their seals (where fitted). Alternating between locking screws, evenly hand tighten each locking screw until the cover lies flush the frame.

Step 4: Replace all locking screw dust caps by hand.

Maintenance

Step 1: All access covers and frames must be inspected every six months for any damage or wear which may impede their service performance.

Step 2: In order to carry out this inspection the covers must be opened/removed. This aids inspection and also helps keep opening mechanisms and gas springs where fitted in good working order.

Step 3: During inspection it is recommended that all components are cleaned with a mild detergent and water.

Step 4: All seals, hinges and locking screws should be coated and lubricated with a suitable silicone grease.

Step 5: Replace any damaged or worn components.

For more information about the general spares available, refer to the technical data section of the "ACO Access Covers for Building Applications" catalogue or contact the ACO Access Sales Team by calling +44 (0)1462 810421 or via acsales@aco.co.uk.



To download a copy of this Installation, Operation and Maintenance Guide go to www.aco.co.uk/access-cover-guides

For further advice regarding the installation, operation or maintenance of our ACO UniFace™ and UniTop™ floor access covers please contact the ACO Access Technical Team on +44 (0)1462 810431 or email actechnical@aco.co.uk.

For quick access to our installation, operation and maintenance guide, scan:



Specification clause

Recessed Access Covers

Floor access covers shall be ACO UniFace™ (insert cover type as appropriate e.g. AL SHALLOW) Aluminium†/Galvanised steel†/Stainless steel† recessed units as supplied by ACO Access.

All units to have liquid and odour seals, socket head securing bolts with dust caps and supplied with * sets of locking/lifting keys. Covers shall be FACTA class * and tested to the FACTA specification for fabricated access covers. Sizes shall be shown on drawing no..... *.

Installation shall be in accordance with the manufacturer's printed instructions using acceptable levels of workmanship and according to the National Code of Practice (UK BS 8000-0: 2014 series of standards).

Covers to be manufactured and supplied by ACO Access, a division of ACO Technologies plc, ACO Business Park, Hitchin Road, Shefford, Bedfordshire, SG17 5TE, Tel. 01462 816666.

Solid Access Covers

Floor access covers shall be ACO UniTop™ (insert cover type as appropriate e.g. AL SOLID) Aluminium†/Galvanised steel†/Stainless steel† solid units as supplied by ACO Access.

All units to have liquid and odour seals, socket head securing bolts with dust caps and supplied with * sets of locking/lifting keys. Covers shall be FACTA class * and tested to the FACTA specification for fabricated access covers. Sizes shall be shown on drawing no..... *.

Installation in accordance with the manufacturer's printed instructions using acceptable levels of workmanship and according to the National Code of Practice (UK BS 8000-0: 2014 series of standards).

Covers to be manufactured and supplied by ACO Access, a division of ACO Technologies plc, ACO Business Park, Hitchin Road, Shefford, Bedfordshire, SG17 5TE, Tel. 01462 816666.

† Delete non- appropriate information

* Insert appropriate information

NBS Specifications

ACO Access Covers for Building Applications should be specified in section P30/301 for single covers and P31/370 for multipart covers. Assistance in completing this clause can be found in the ACO Access entry in NBS Plus, or please contact the ACO Access Technical Team.

Note: Specifications in NBS format are available to download from www.thenbs.com or www.aco.co.uk/accesscovers

Recycled content

ACO Technologies aims to incorporate as much recycled material as is practicable in its manufactured products. Typically aluminium materials contain 20%-25% recycled content, steel and stainless steel materials contain 50%-60% recycled content.

The ACO UniFace™ and ACO UniTop™ floor access covers are intended for a long service life with low maintenance to reduce the need to recycle, but when eventually they are no longer needed, 100% of the aluminium, steel and stainless steel used can be recycled.

Test Reports

ACO floor access covers are tested to the FACTA specification for fabricated access covers.

As members of the Fabricated Access Cover Trade Association (FACTA) all ACO floor access covers use FACTA classifications to assist specifiers in the correct selection of our products.

Further information concerning specifications or to request copies of our test reports, please contact the ACO Access Technical Team on 01462 810431 or by emailing actechnical@aco.co.uk.



General information

ACO access products are subject to weight and dimensional tolerances. The weights and dimensions shown in this document are for guidance purposes only. The appearance of products shown in our company documentation are for illustration purposes only.

ACO Technologies plc

- ACO Access
- ACO Building Drainage
- ACO Water Management
Civils + Infrastructure
Building + Landscape
- ACO Sport
- ACO Wildlife



ISO 9001
FM 13502



ISO 14001
EMS 538781



OHSAS 18001
OHS 524145



ACO Access

A division of ACO Technologies plc
ACO Business Centre
Caxton Road, Bedford
Bedfordshire MK41 0LF

Tel: 01462 810400
Fax: 01462 851490

e-mail: Sales: acsales@aco.co.uk
e-mail: Technical: actechnical@aco.co.uk
website: www.aco.co.uk

The ACO Group: A strong family you can depend on.

© October 2021 ACO Technologies plc. All reasonable care has been taken in compiling the information in this document. All recommendations and suggestions on the use of ACO products are made without guarantee since the conditions of use are beyond the control of the Company. It is the customer's responsibility to ensure that each product is fit for its intended purpose, and that the actual conditions of use are suitable. This brochure and any advice is provided by ACO Technologies plc (the Company) free of charge and accordingly on terms that no liability including liability for negligence will attach to the Company or its servants or agents arising out of or in connection with or in relation to this brochure or any such advice. Any goods supplied by the Company will be supplied solely upon its standard conditions of sale, copies of which are available on request. The Company's policy of continuous product development and improvement renders specifications liable to modification. Information provided in this brochure is therefore subject to change without prior notification.

ACO CARES ABOUT THE ENVIRONMENT

Printed on material approved by the Forest Stewardship Council (FSC) who provide a means of assuring that products come from responsibly managed forest.