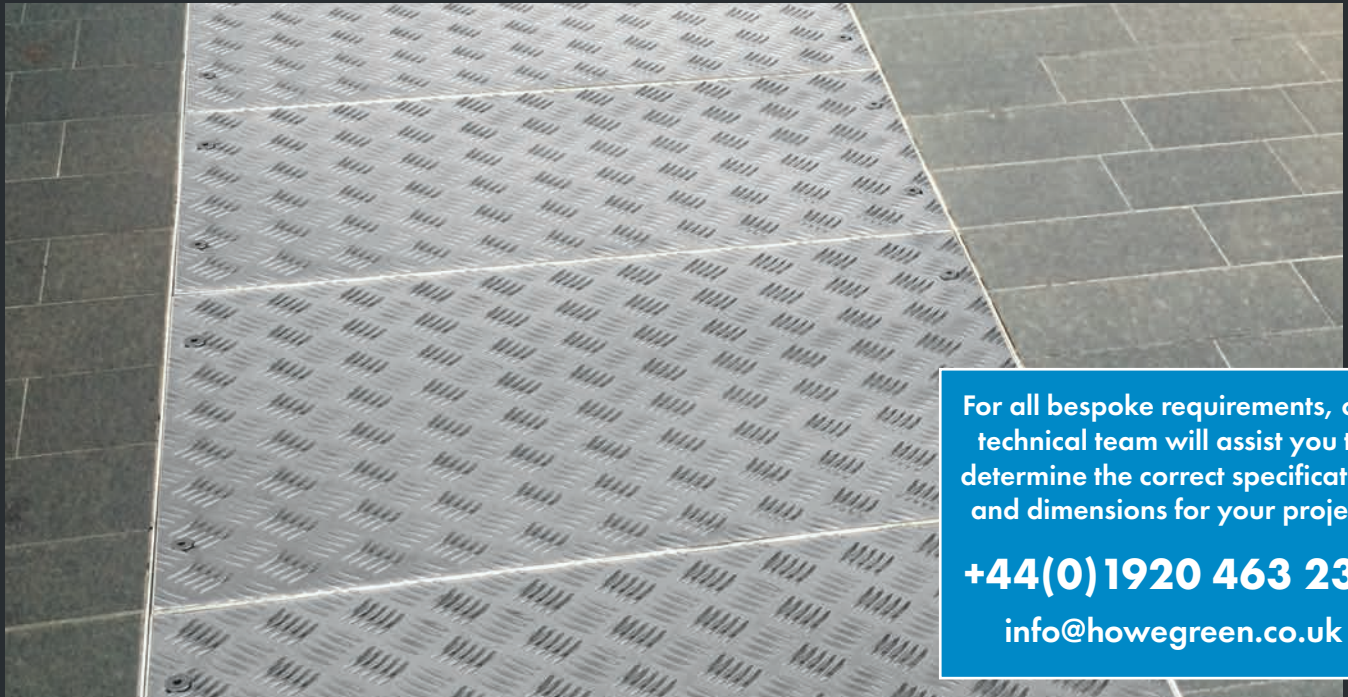


5 BAR Series ACCESS COVERS



For all bespoke requirements, our technical team will assist you to determine the correct specification and dimensions for your project.

+44(0)1920 463 230

info@howegreen.co.uk

Aluminium floor access covers for all types of flooring

» FEATURES

- Covers can be fitted quickly and unobtrusively into all types of flooring
- Any configuration of ducts and branches can be created
- Access hatches can be linked together to provide continuous access to ducts
- Lightweight
- Single seals are an option on 5 BAR series
- Antislip treadplate pattern
- Manufactured in the UK to BS EN ISO 9001:2000

» 5 BAR SERIES TREAD PLATE COVERS

Size

- Made to measure using the Howe Green patented system
- Manufactured in any size between the stated maximum and minimum dimensions

Weight

- The weight of the access cover should be considered where ease of handling is important
- In all cases reference should be made to the Manual Handling Operations regulations 1992, which implement European Directive 90/269/EEC
- If loads are excessive, consider using hydraulic lifters or our **HSE 75 range**

Where large covers are necessary, over pits containing plant etc., the main covers can be fitted with small inset covers to allow easy access for routine maintenance. The main covers need then only be removed for major overhauls or plant replacement.

5 BAR Series ALUMINIUM TREAD PLATE COVERS

» TREAD PLATE COVERS FOR CARS AND LIGHT DELIVERY VEHICLES

Typical floor finishes

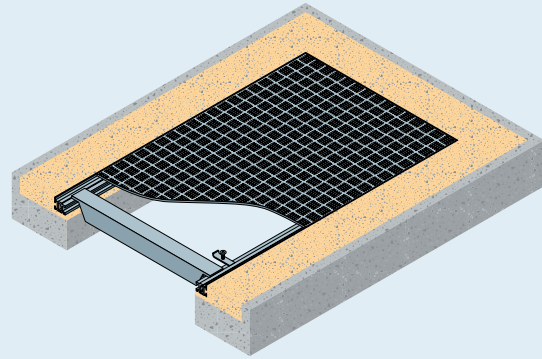
- Ceramic tiles, marble, terrazzo, concrete, resin, wood and all hard floors

Performance

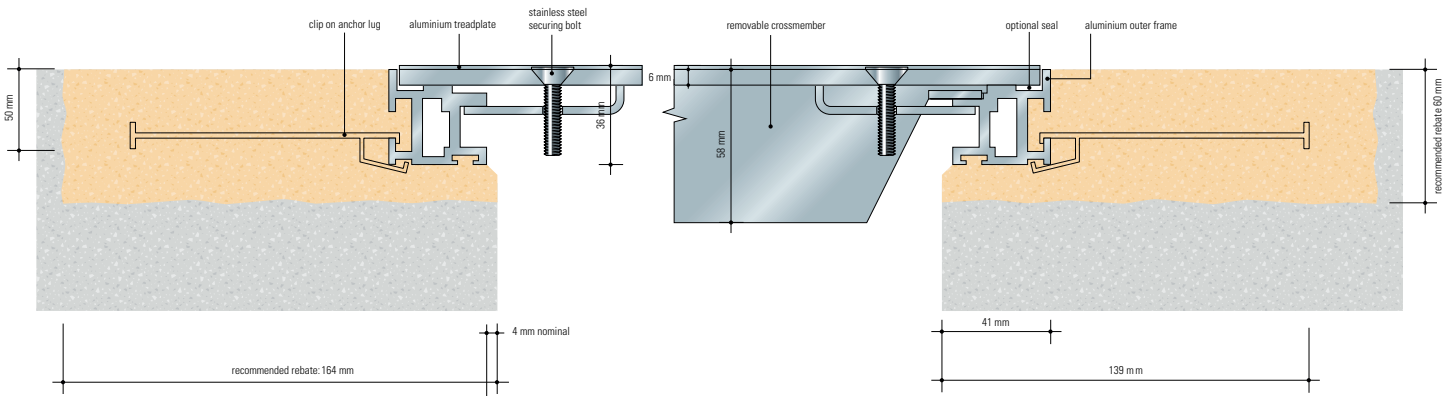
- Pedestrian traffic – including wheeled trolleys and sack trucks
- Consult Howe Green Technical Team for heavier loadings
- More information can be found at www.howegreen.com

Options

- Single Seal
- Quick release stainless steel fasteners
- Top release only



Cross section showing concrete sub-floors



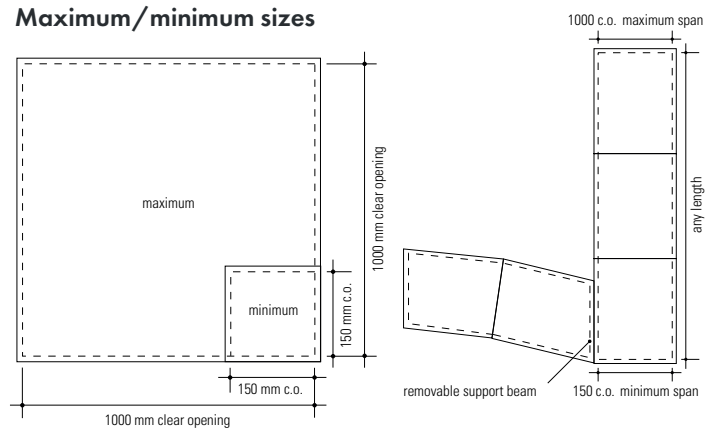
Size

- Overall frame size = clear opening + 82 mm eg 600 mm clear opening = 682 mm overall frame width. Subject to correct installation

Weight

- A 5 Bar series access cover weighs 18kg/m²

Maximum/minimum sizes



» CONTACT US

Sales Enquiries

+44(0)1920 463 230 info@howegreen.co.uk www.howegreen.com

Innovation drive, Wolverhampton, West Midlands, WV9 5GA, UK

